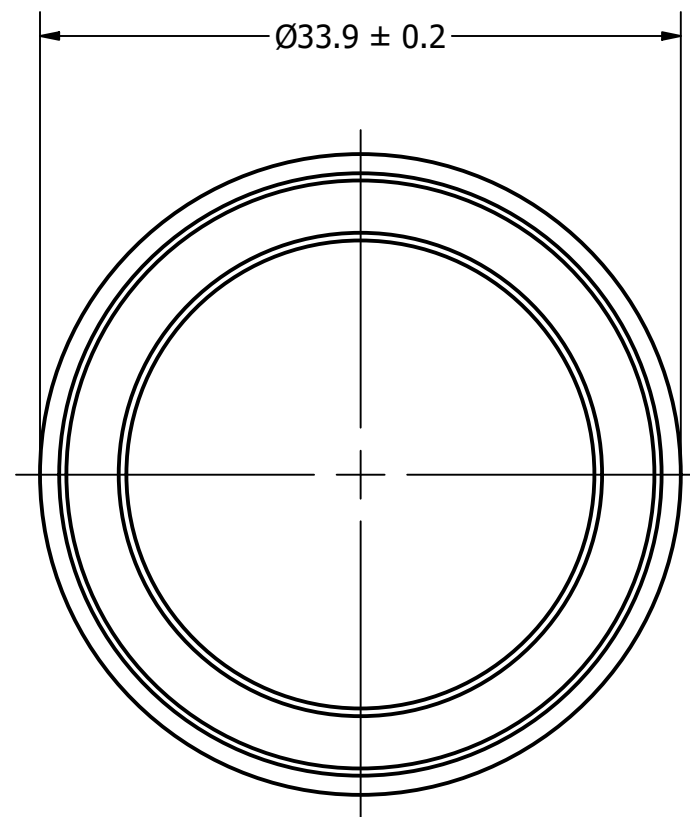


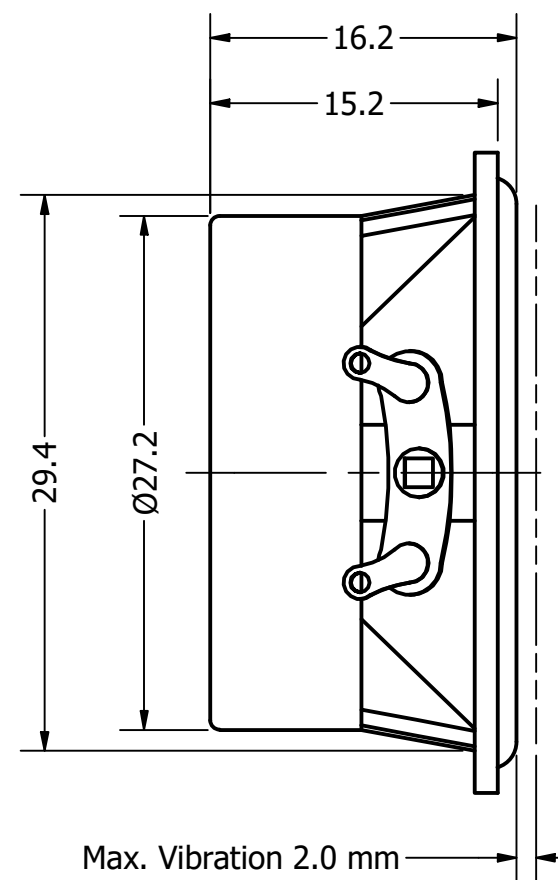
Part Number:	SM330104-1	
DESCRIPTION:	Dynamic Speaker	
DRAWN	CJ	1/29/2018
CHECKED		1/31/2018
P.D.		1/31/2018
APPROVED	C.E.	1/31/2018

This document contains data proprietary to DB Unlimited. Any use or reproduction, in any form, without prior written permission of DB Unlimited is prohibited. All terms and conditions can be found at www.dbunlimitedco.com

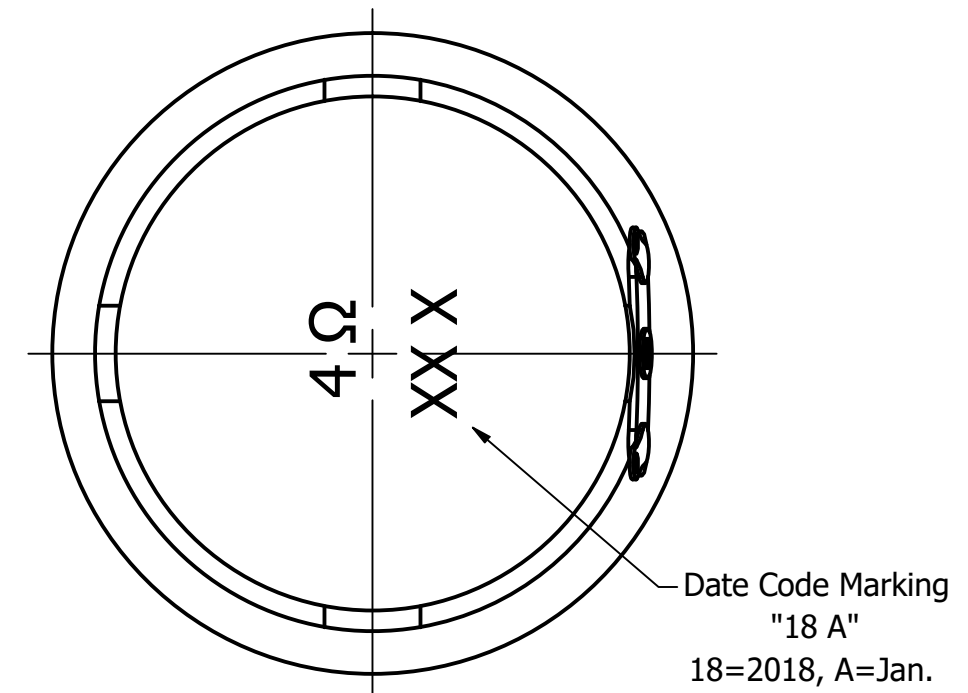
Top View



Side View



Bottom View



Items	Specifications	Conditions	REVISION HISTORY			
Sound Pressure Level	99	dB (@ 10cm), Avg.	REV	DESCRIPTION	DATE	APPROVED
Resonant Frequency	220 ± 100	Hz		Released from Engineering	1/31/2018	C.E.
Frequency Range	150 ~ 20,000	Hz	1	Updated SPL	4/20/2018	C.E.
Nominal Power	2.5	W	2	Updated resonant frequency	10/29/2018	C.E.
Max. Power	3	W				
Impedance	4	Ω				
				NOTES		
Cone Material	Aluminum			1) All dimensions are in mm unless otherwise noted		
Mount Type	Flush Mount			2) All tolerances are ± 0.5 mm unless otherwise noted		
Storage Temperature	-30 ~ +60	°C		3) All parts meet RoHS		
Operating Temperature	-20 ~ +50	°C		4) Subject to change or redrawn without notice		
Weight	34.0	g				