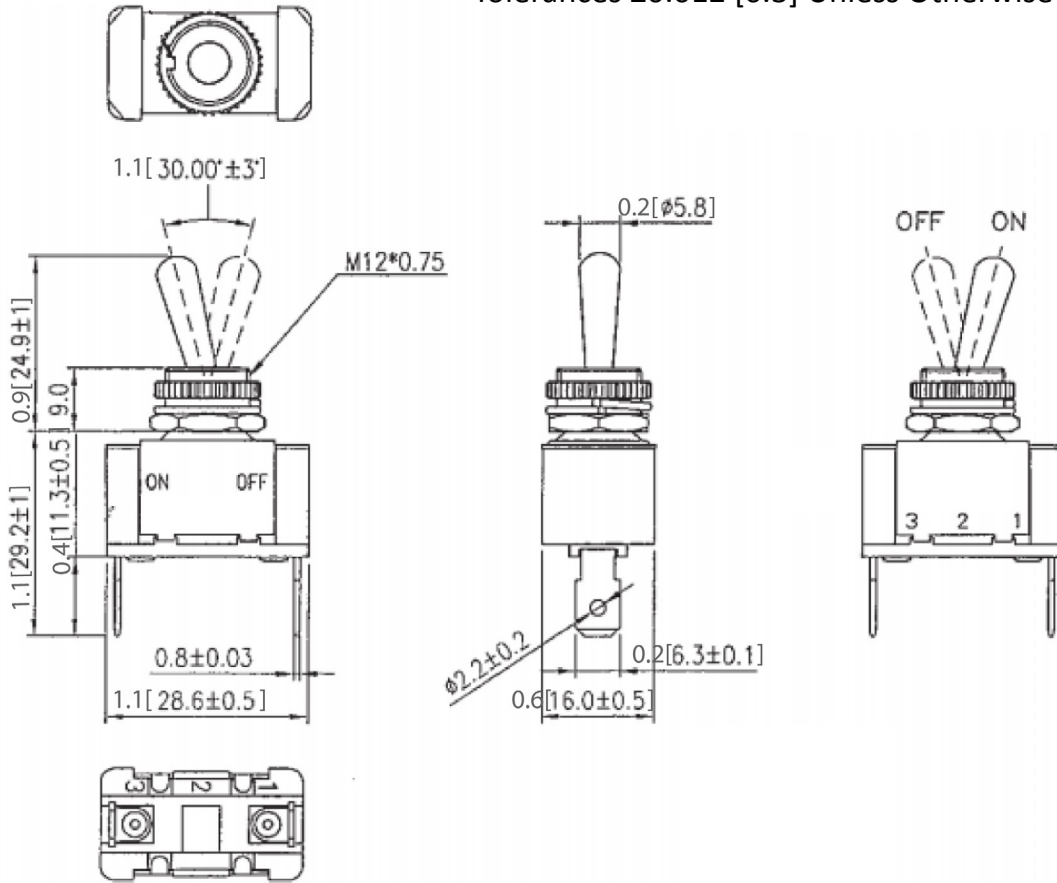
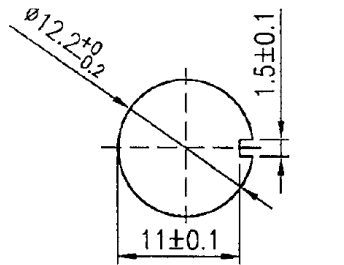


Mechanical Dimensions: Inches [mm]

Tolerances ± 0.012 [0.3] Unless Otherwise Specified



Mounting Hole



Thickness: 0.1 [4.0] max

Circuit Diagram

2P SPST OFF-ON



Electrical Specifications

Rating	20A 12V DC, 10A 24V DC
Contact Resistance	50m ohm Max
Insulation Resistance	DC 500V 100M ohm Min
Dielectric Strength	AC 1500V 1 minute
Operation Temperature	0°C ~ 65°C

Material Specifications

2 hex nut assy
1 spring washer

Rev	Date of issue	Revision Notes	Designed	Approved
A	04-29-2019	Initial Drawing	RC	OH