

485016-1  ACTIVE



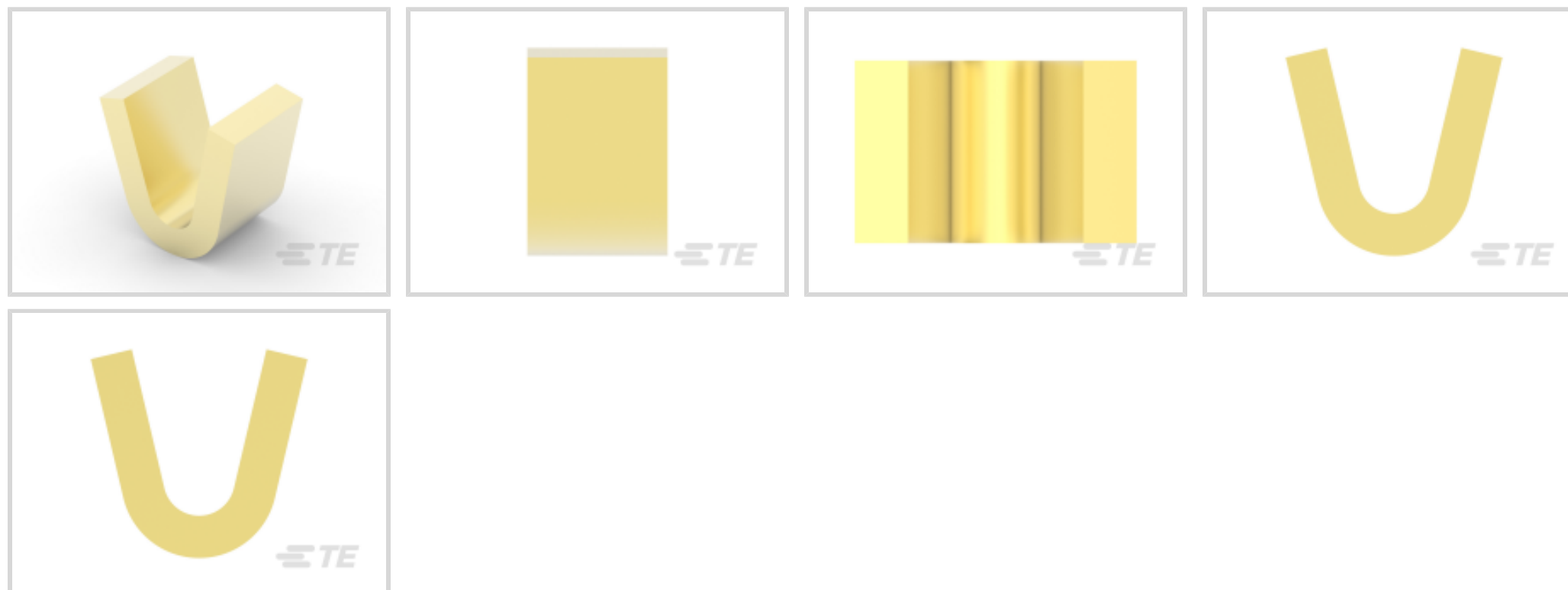
## SPLICE

TE Internal #: 485016-1

Pigtail Splice / Thru Splice, Serrated, 500 – 2200 CMA Wire Size, Brass, 2 Serration, Length 2.54 mm [.1 in], Reel, Open, SPLICE, Splices

[View on TE.com >](#)

Terminals & Splices > Splices



Splice Type: **Pigtail Splice, Thru Splice**

Sealable: **No**

Splice Features: **Serrated**

Wire Size: **500 – 2200 CMA**

Contact Base Material: **Brass**

### Features

#### Product Type Features

|  |                             |
|--|-----------------------------|
| Splice Type                            | Pigtail Splice, Thru Splice |
| Sealable                               | No                          |
| Compatible With Discrete Wire Type     | Solid, Stranded             |
| Wire Insulation Support Retention Type | Non-Insulation Support      |

#### Configuration Features

|                                   |               |
|-----------------------------------|---------------|
| Number of Serrations              | 2             |
| Compatible With Wire & Cable Type | Discrete Wire |

#### Body Features

|                 |          |
|-----------------|----------|
| Product Weight  | .12 g    |
| Splice Features | Serrated |

#### Contact Features

|                       |       |
|-----------------------|-------|
| Contact Base Material | Brass |
| Barrel Type           | Open  |



### Mechanical Attachment

|                         |         |
|-------------------------|---------|
| Wire Insulation Support | Without |
|-------------------------|---------|

### Dimensions

|                             |                |
|-----------------------------|----------------|
| Wire Size                   | 500 – 2200 CMA |
| Terminal Material Thickness | .76 mm[.03 in] |
| Product Length              | 2.54 mm[.1 in] |

### Usage Conditions

|                             |                            |
|-----------------------------|----------------------------|
| Insulation Option           | Uninsulated                |
| Operating Temperature Range | -40 – 110 °C[-40 – 230 °F] |

### Operation/Application

|                                    |        |
|------------------------------------|--------|
| Compatible With Wire Base Material | Copper |
|------------------------------------|--------|

### Industry Standards

|                             |    |
|-----------------------------|----|
| Government Qualified Splice | No |
|-----------------------------|----|

### Packaging Features

|                    |       |
|--------------------|-------|
| Packaging Quantity | 25000 |
| Packaging Method   | Reel  |

### Product Compliance

[For compliance documentation, visit the product page on TE.com>](#)

|   |   |
|---|---|
| EU RoHS Directive 2011/65/EU                  | Compliant   |
| EU ELV Directive 2000/53/EC                   | Compliant   |
| China RoHS 2 Directive MIIT Order No 32, 2016 | No Restricted Materials Above Threshold   |
| EU REACH Regulation (EC) No. 1907/2006        | Current ECHA Candidate List: JUNE 2024 (241)<br>Candidate List Declared Against: JUNE 2024 (241)<br>Does not contain REACH SVHC |
| Halogen Content                               | Low Halogen - Br, Cl, F, I < 900 ppm per homogenous material. Also BFR/CFR/PVC Free   |
| Solder Process Capability                     | Not applicable for solder process capability  |

#### Product Compliance Disclaimer


This information is provided based on reasonable inquiry of our suppliers and represents our current actual knowledge based on the information they provided. This information is subject to change. The part numbers that TE has identified as EU RoHS compliant have a maximum concentration of 0.1% by weight in homogenous materials for lead, hexavalent

chromium, mercury, PBB, PBDE, DBP, BBP, DEHP, DIBP, and 0.01% for cadmium, or qualify for an exemption to these limits as defined in the Annexes of Directive 2011/65/EU (RoHS2). Finished electrical and electronic equipment products will be CE marked as required by Directive 2011/65/EU. Components may not be CE marked. Additionally, the part numbers that TE has identified as EU ELV compliant have a maximum concentration of 0.1% by weight in homogenous materials for lead, hexavalent chromium, and mercury, and 0.01% for cadmium, or qualify for an exemption to these limits as defined in the Annexes of Directive 2000/53/EC (ELV). Regarding the REACH Regulation, the information TE provides on SVHC in articles for this part number is based on the latest European Chemicals Agency (ECHA) 'Guidance on requirements for substances in articles' posted at this URL: <https://echa.europa.eu/guidance-documents/guidance-on-reach>

## Compatible Parts



TE Part # 62759-1  
SPLICE 400-1300 .016 BR



TE Part # 62754-1  
SPLICE 14000-30000 .030 BR



TE Part # 62382-1  
SPLICE 25/26 .012 BR



TE Part # 2837808-1  
OCEAN-2.0-APPLICATOR-S-110F-RSM



TE Part # 2837808-2  
OCEAN-2.0-APPLICATOR-S-110F-RSA



TE Part # 7-2837808-7  
OCEAN\_2.0\_SPARE\_PART\_KIT-110F

## Also in the Series | SPLICE

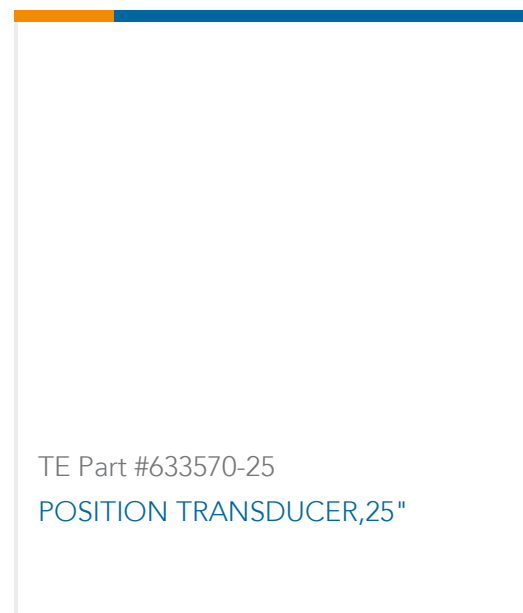
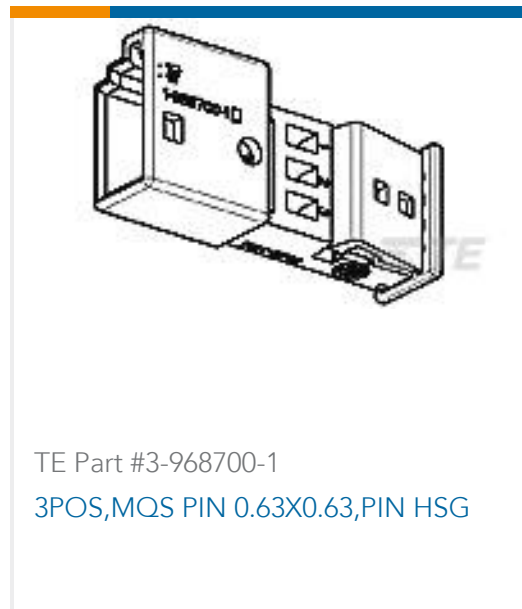
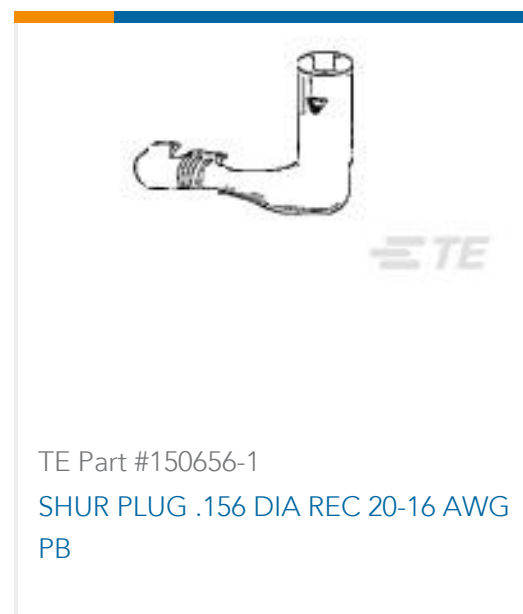
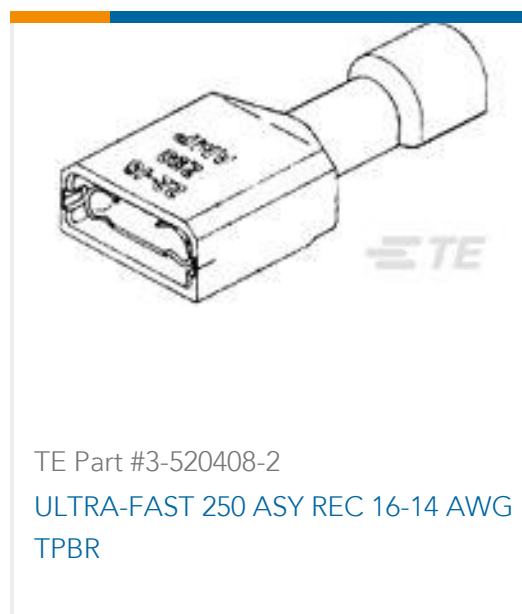


Crimp Wire Pins, Tabs & Ferrules(1)



Splices(64)

## Customers Also Bought



## Documents

### Product Drawings

[SPLICE 500-2200 .030 BR](#)

English

### CAD Files

[3D PDF](#)

3D

Customer View Model

[ENG\\_CVM\\_CVM\\_485016-1\\_G\\_c-485016-1-g.2d\\_dxf.zip](#)

English

Customer View Model

[ENG\\_CVM\\_CVM\\_485016-1\\_G\\_c-485016-1-g.3d\\_igs.zip](#)

English

Customer View Model

[ENG\\_CVM\\_CVM\\_485016-1\\_G\\_c-485016-1-g.3d\\_stp.zip](#)

English

By downloading the CAD file I accept and agree to the [Terms and Conditions](#) of use.

### Product Specifications

485016-1

Pigtail Splice / Thru Splice, Serrated, 500 – 2200 CMA Wire Size, Brass, 2 Serration,  
Length 2.54 mm [.1 in], Reel, Open, SPLICE, Splices



## Application Specification

English