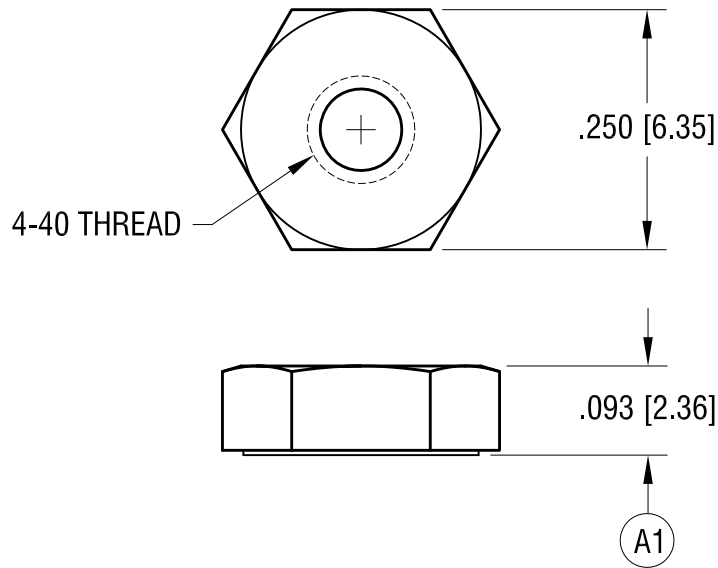


THIS DOCUMENT IS THE PROPERTY OF
KEYSTONE ELECTRONICS CORP. AND
SHALL NOT BE REPRODUCED, DISTRIBUTED
OR USED AS A BASIS FOR MANUFACTURE
WITHOUT PRIOR WRITTEN PERMISSION
FROM KEYSTONE ELECTRONICS CORP.

ACTUAL SIZE



KEYSTONE ELECTRONICS CORP.

www.keyelco.com • NEW HYDE PARK NY 11040 • Tel (516)328-7500

PART NAME		NUT, 4-40	
MATERIAL		NYLON 6/6	
FINISH	DRN BY	DATE	
NONE	BOONE	12.19.03	
	APP'D	SCALE	
	RH	5X	
TOLERANCES	INCH	[MM]	CODE
DECIMAL	± .010	[± 0.25]	C
ANGULAR	± 1°		
UNLESS OTHERWISE SPECIFIED			DWG NO.
			9605

(A1) WAS .063

6.24.22 CHANGE AS PER ECN 22-093 A

DATE	DESCRIPTION	REV.
6.24.22	CHANGE AS PER ECN 22-093	A