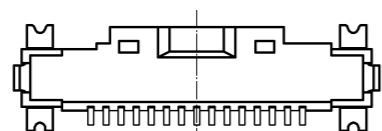
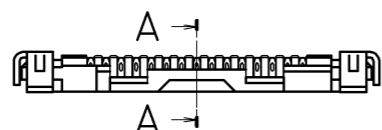
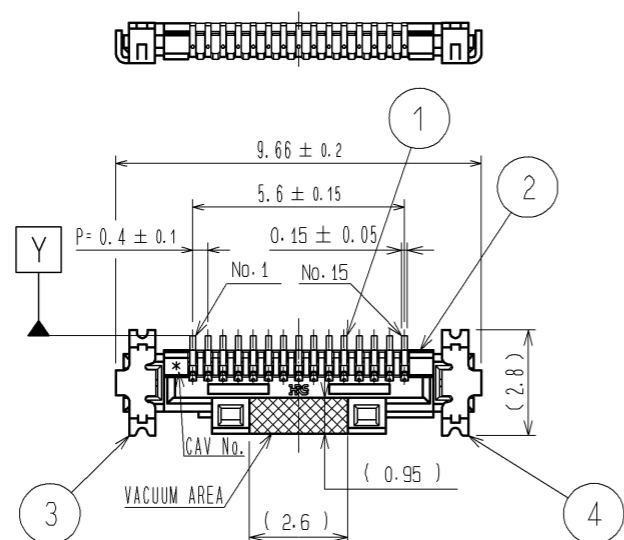
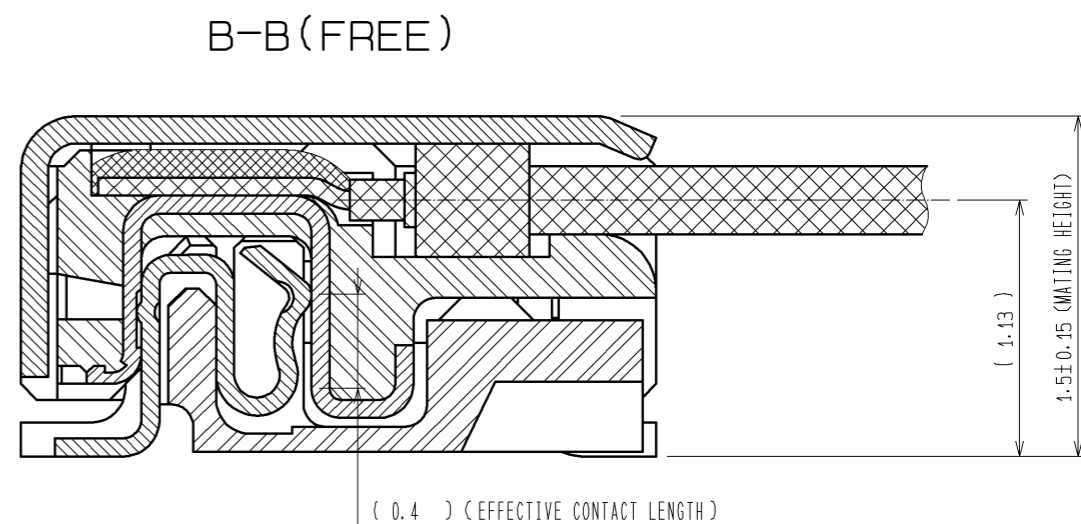
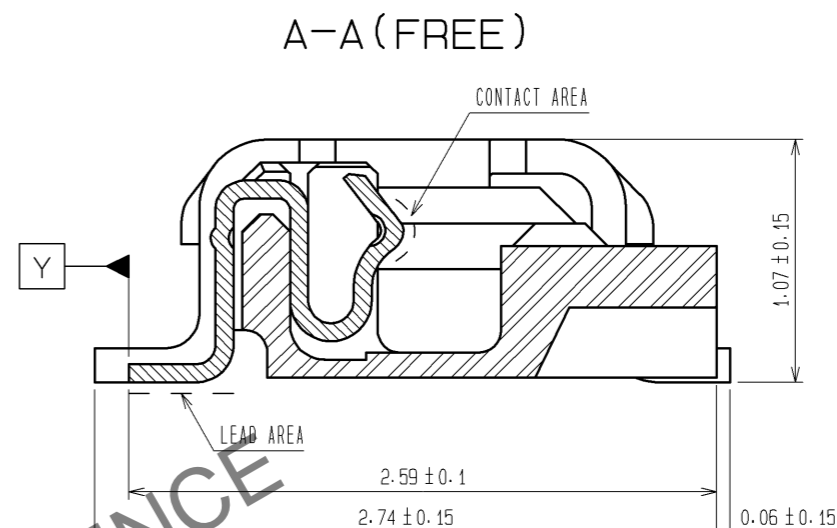
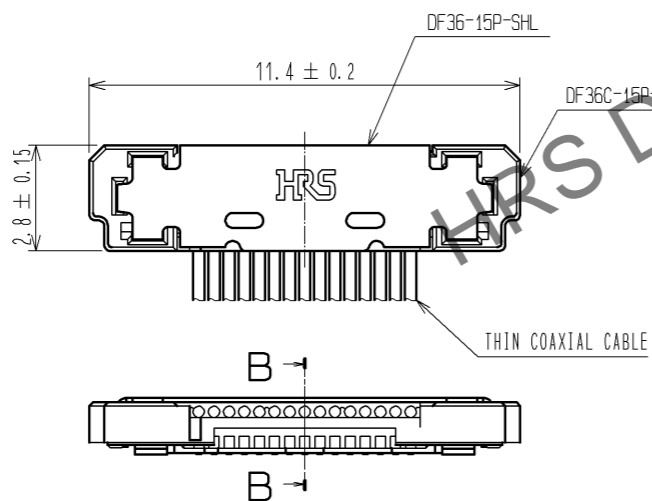


Jun.1.2024 Copyright 2024 HIROSE ELECTRIC CO., LTD. All Rights Reserved.  
In case of consideration for using Automotive equipment / device which demand high reliability, kindly contact our sales window correspondents.



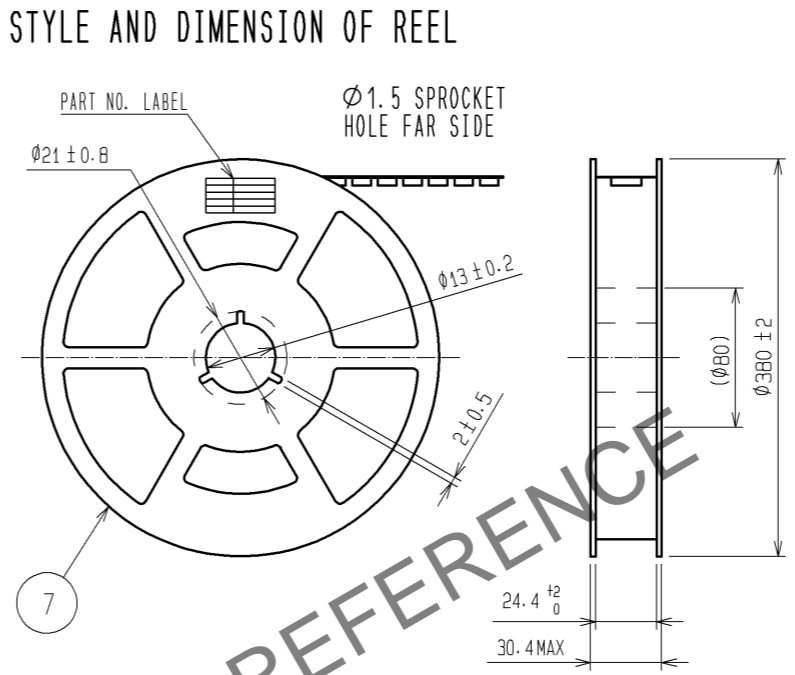
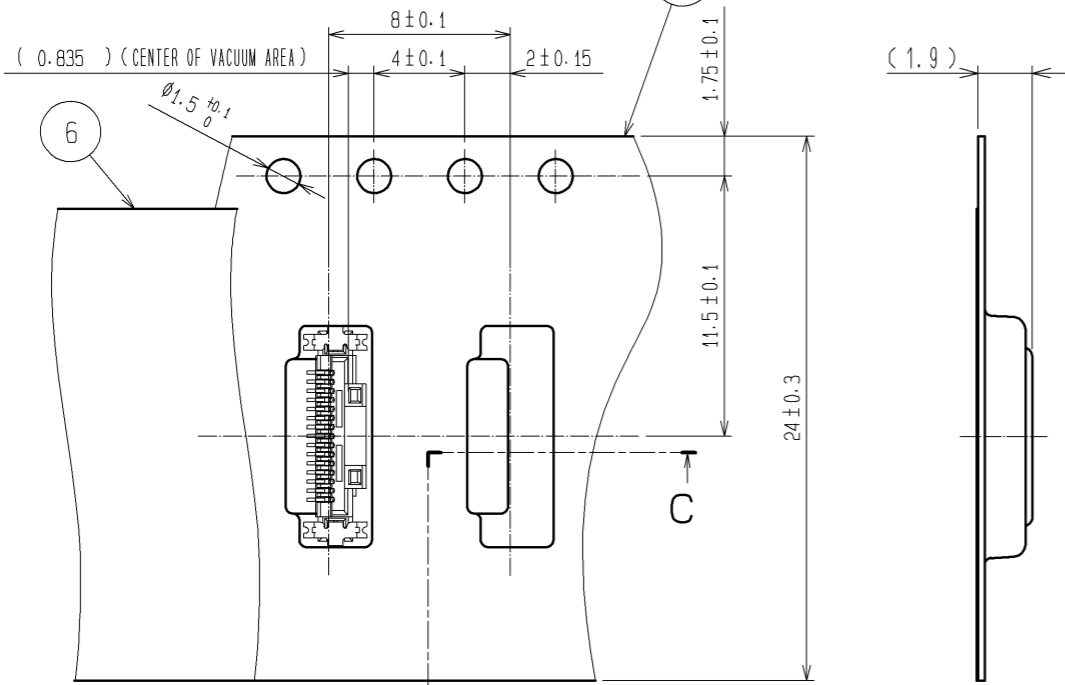
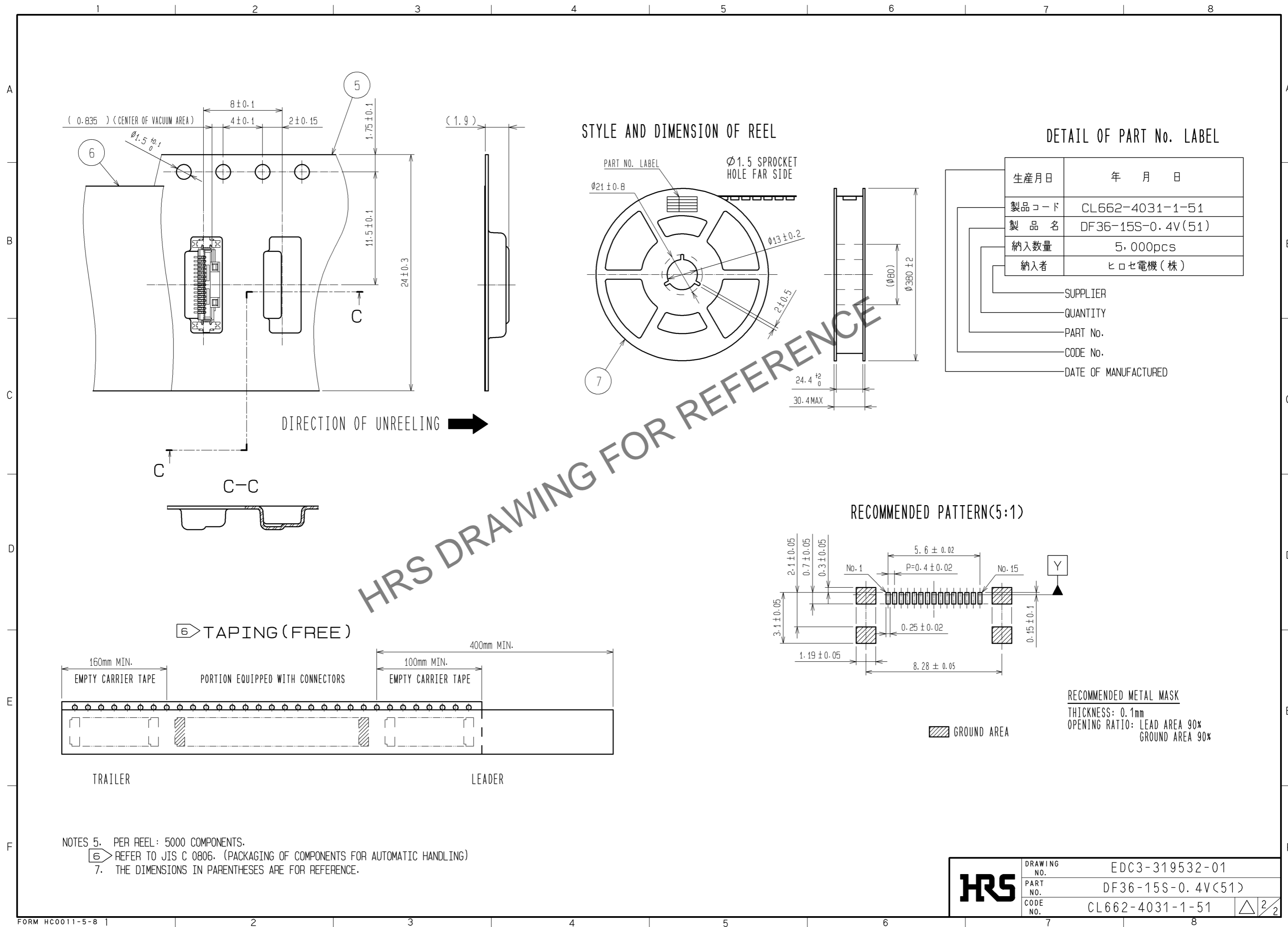
MATING FIGURE



- NOTES
1. LEAD CO-PLANARITY SHALL BE 0.1mm MAX.
  2. STIFFENER IS REQUIRED FOR MOUNTING ONTO FPC IN ORDER TO AVOID STRESS BY FPC SLACKING TO MOUNTED CONNECTOR.
  3. UNMATING SHALL BE DONE WITH THE SPECIFIC EXTRACTION TOOL.

3	PHOSPHOR BRONZE	WHOLE AREA : Au PLATING 0.1μm min UNDER PLATING : Ni PLATING 2μm min	7	PS	BLACK			
2	LCP	UL94V-0 . BLACK	6	POLYESTER	CLEAR			
1	PHOSPHOR BRONZE	CONTACT AREA : Au PLATING 0.3μm min LEAD AREA : Au PLATING 0.1μm min UNDER PLATING : Ni PLATING 2μm min	5	PS	CLEAR			
NO.	MATERIAL	FINISH . REMARKS	NO.	MATERIAL	FINISH . REMARKS			
UNITS	mm	SCALE	5 : 1	COUNT	DESCRIPTION OF REVISIONS	DESIGNED	CHECKED	DATE
HRS		HIROSE ELECTRIC CO., LTD.	APPROVED : TS. SAKATA	10.06.11	DRAWING NO.	EDC3-319532-01		
			CHECKED : IO. DENPOUYA	10.06.11	PART NO.	DF36-15S-0.4V(51)		
			DESIGNED : TP. MATSUMOTO	10.06.11	CODE NO.	CL662-4031-1-51		
			DRAWN : TP. MATSUMOTO	10.06.11		1/2		

Jun.1.2024 Copyright 2024 HIROSE ELECTRIC CO., LTD. All Rights Reserved.  
 In case of consideration for using Automotive equipment / device which demand high reliability, kindly contact our sales window correspondents.



DETAIL OF PART No. LABEL

生産月日	年 月 日
製品コード	CL662-4031-1-51
製品名	DF36-15S-0.4V(51)
納入数量	5,000pcs
納入者	ヒロセ電機(株)

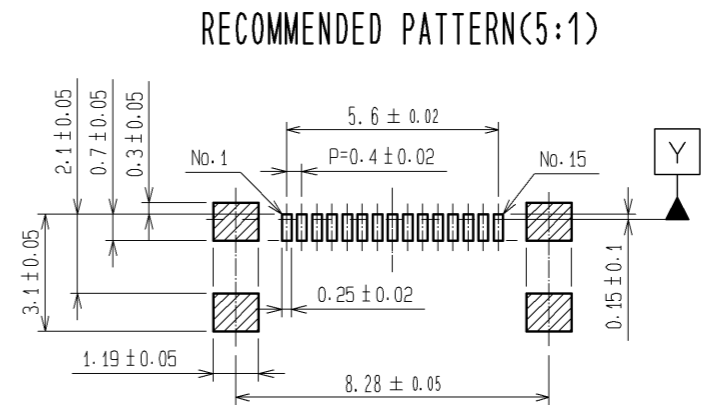
SUPPLIER

QUANTITY

PART No.

CODE No.

DATE OF MANUFACTURED

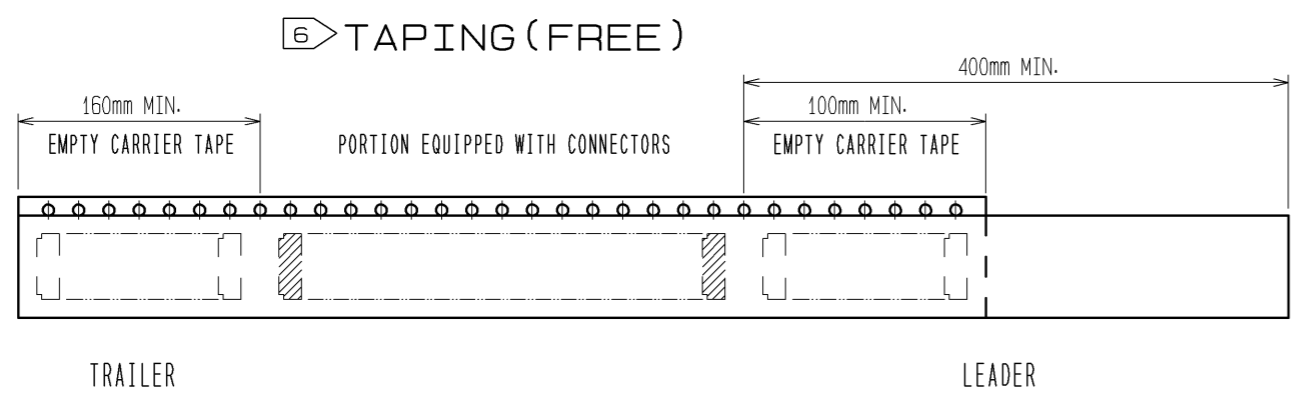


RECOMMENDED METAL MASK

THICKNESS: 0.1mm

OPENING RATIO: LEAD AREA 90%

GROUND AREA 90%



NOTES 5. PER REEL: 5000 COMPONENTS.

6 REFER TO JIS C 0806. (PACKAGING OF COMPONENTS FOR AUTOMATIC HANDLING)

7. THE DIMENSIONS IN PARENTHESES ARE FOR REFERENCE.

<b>HRS</b>	DRAWING NO.	EDC3-319532-01
	PART NO.	DF36-15S-0.4V(51)
	CODE NO.	CL662-4031-1-51
		$\triangle$ 2/2