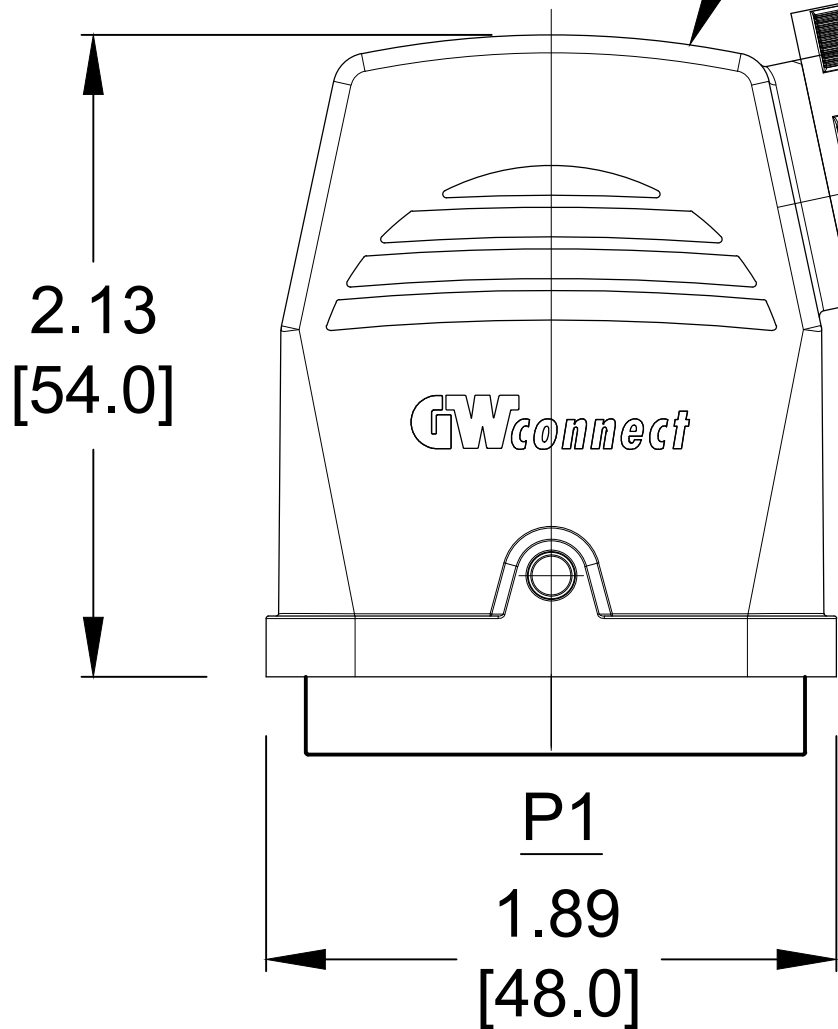
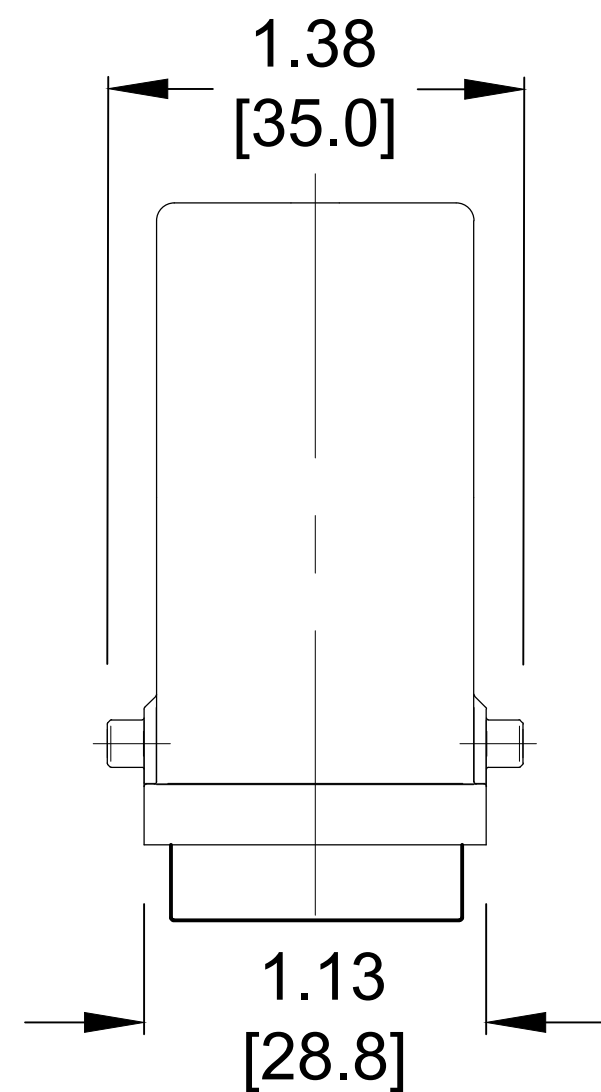


93599-0005-M020

LENGTH  
M005 = 0.5 METER  
M010 = 1.0 METER  
M100 = 10.0 METER



1.00 REF.  
[25.4]

LENGTH

0.50 REF.  
[12.7]

0.18 REF.  
[4.6]

2.25 REF.  
[57.2]

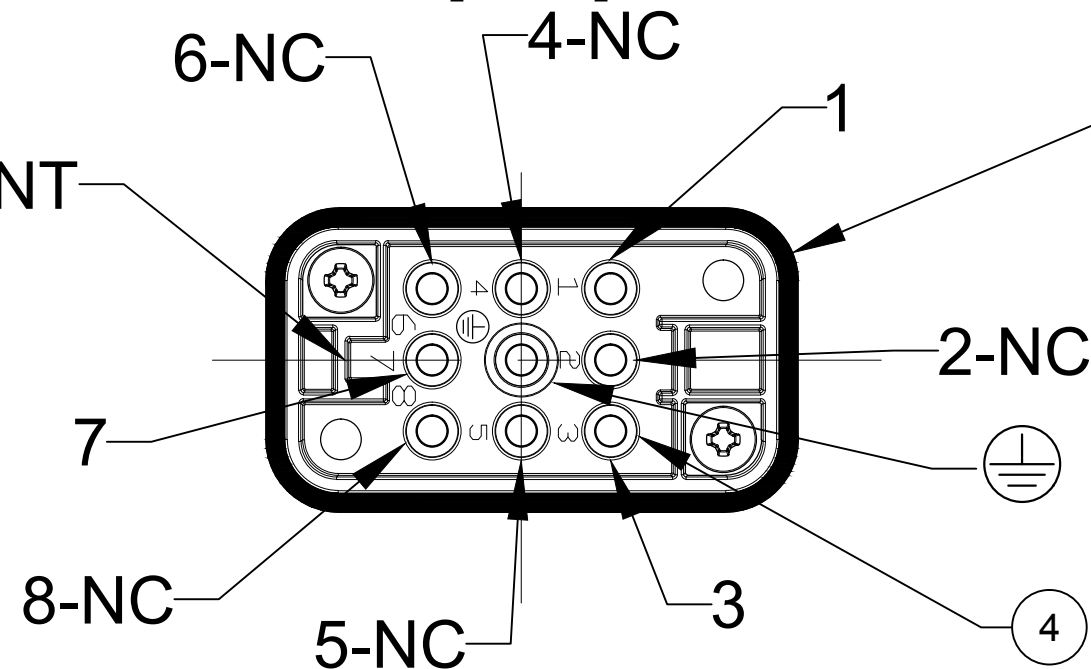
WARNING LABEL

WRAP LABEL

P1

1	BLACK #1
2	
3	BLACK #3
4	
5	
6	
7	BLACK #2
8	
⊕	GREEN/YELLOW

ALIGNMENT KEY



MALE FACE VIEW

ELECTRICAL RATING  
VOLTAGE: 600 VAC  
CURRENT: 16 A

NOTE:  
ALL DIMENSIONS REFERENCE  
UNLESS OTHERWISE NOTED

ITEM	DESCRIPTION	MATERIAL	FINISH
6	WARNING LABEL	VINYL	ORANGE/BLACK
5	WRAP LABEL	VINYL	BLACK/YELLOW
4	CONTACT PIN	COPPER ALLOY	SILVER PLATED
3	INSERT, MALE	POLYCARBONATE	GRAY
2	HOOD W/ CABLE GLAND	POLYAMIDE	BLACK
1	CABLE #14/4	TPE JACKET	BLACK

CORRECT DIMS	EC NO: IPG2017-0311	2016/10/26
	DRWN: KCOX01	2016/10/27
	CHKD: MZELINS	2016/10/27
	APPR: BWOODMAN	2016/09/08
REV	DESCRIPTION	

QUALITY SYMBOL	▽=0
	∇=0

	GENERAL TOLERANCES (UNLESS SPECIFIED)	
	mm	INCH
4 PLACES	±---	±---
3 PLACES	±---	±---
2 PLACES	±---	±---
1 PLACE	±---	±---
ANGULAR ±---°		
DRAFT WHERE APPLICABLE MUST REMAIN WITHIN DIMENSIONS		

DIMENSION STYLE INCH/MM	
DRAWN BY	DATE
KCOX01	2016/07/21
CHECKED BY	DATE
RSTONE	2016/07/21
APPROVED BY	DATE
BWOODMAN	2016/09/08
MATERIAL NO.	SEE TABLE
SIZE	C

SCALE NTS	DESIGN UNITS METRIC	THIRD ANGLE PROJECTION
TITLE		
HDC MALE S-QD 8 4 CONDUCTOR 12:00 KEY #14 AWG TPE CABLE		
MOLEX INCORPORATED		
MATERIAL NO.	DOCUMENT NO.	SHEET NO.
SEE TABLE	SD-93599-002	1 OF 1
THIS DRAWING CONTAINS INFORMATION THAT IS PROPRIETARY TO MOLEX INCORPORATED AND SHOULD NOT BE USED WITHOUT WRITTEN PERMISSION		