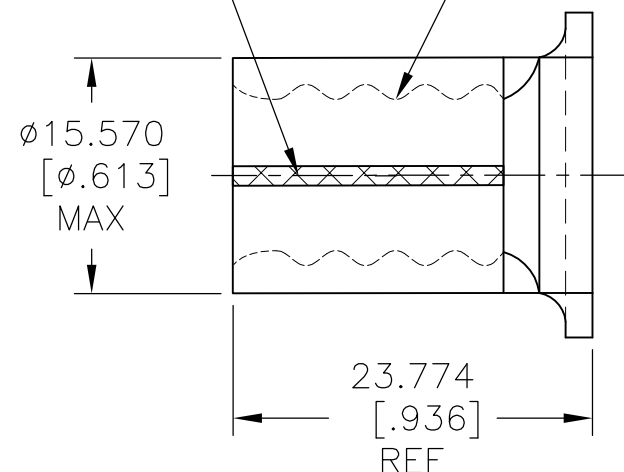
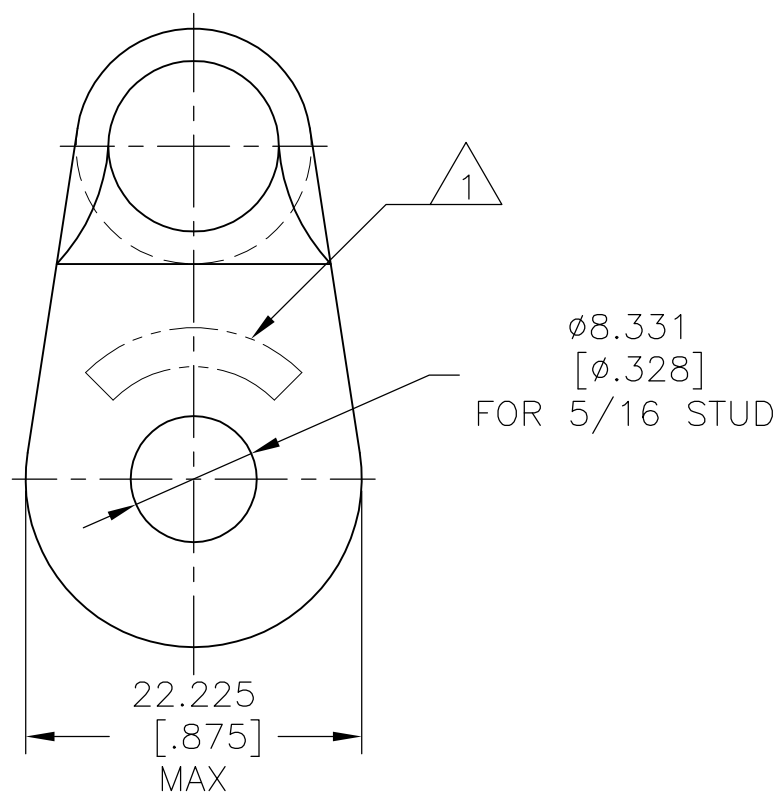
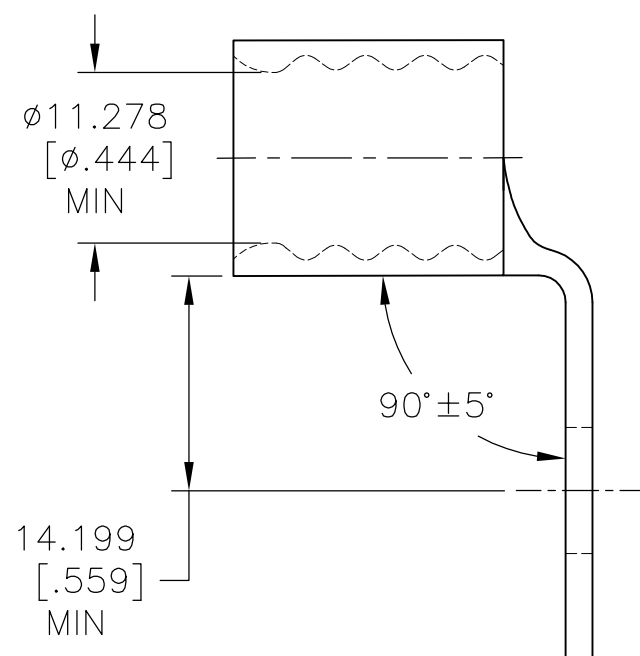


P	LTR	DESCRIPTION	DATE	DWN	APVD
1		NEW DRAWING PER ECO-17-011355	08AUG2017	RS	DR
A		REVISED PER ECO-17-018518	21DEC2017	RS	DR

BRAZED SEAM SERRATIONS



- 1 STAMP AMP 1/0 W\* APPROX AS SHOWN
- 2 NICKEL PLATE 0.00762[.000300] MIN EXT. THK. PER SAE AMS QQ-N-290
- 3 MATERIAL THK: 1.778±0.051 [.070±.002]



50	LOOSE PIECE	1958542-1
QTY	PACKAGE TYPE	PART NUMBER

AMP INCORPORATED CUSTOMER SERVICE SYSTEMS		MAX RECOMMENDED OPERATING TEMPERATURE: 343°C [649°F] MAX
FOR ADDITIONAL PRODUCT INFORMATION OR COPIES OF DRAWINGS AND TECHNICAL DOCUMENTS	PRODUCT INFORMATION CENTER 1-800-522-6752	VOLTAGE RATING: NOT APPLICABLE
FOR APPLICATION TOOLING INFORMATION	TOOLING ASSISTANCE CENTER 1-800-722-1111	WIRE CROSS SECTIONAL AREA RANGE: 42.4-60.6mm <sup>2</sup> [83,700-119,500] CIR MILLS SOLID OR STRANDED
FOR ORDER ENTRY	1-800-526-5142	

THIS DRAWING IS A CONTROLLED DOCUMENT.		DWN RAVI S 08AUG2017	<b>STE</b> TE Connectivity		
DIMENSIONS: mm [INCHES]	TOLERANCES UNLESS OTHERWISE SPECIFIED:	CHK ROHDE DANIEL F. 08AUG2017			
	0 PLC ± -	APVD ROHDE DANIEL F. 08AUG2017	NAME TERMINAL, RING TONGUE, 5/16 STUD, 1/0 AWG, STRATO-THERM, HR, BEND 90 DEG		
	1 PLC ± -	PRODUCT SPEC 108-32046	SIZE	CAGE CODE	DRAWING NO
	2 PLC ± -	APPLICATION SPEC 114-2162	A3	00779	C-1958542
	3 PLC ± 0.127[.005]	WEIGHT -	RESTRICTED TO -		
	4 PLC ± -	CUSTOMER DRAWING	SCALE 2:1	SHEET 1 OF 1	REV A
MATERIAL COPPER PER ASTM-B-152 ANNEALED	FINISH 2				