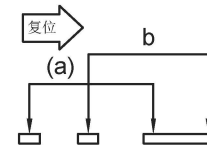


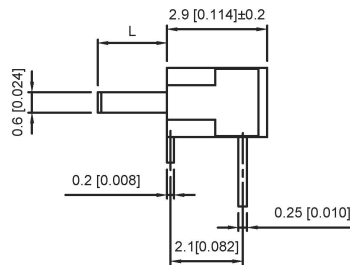
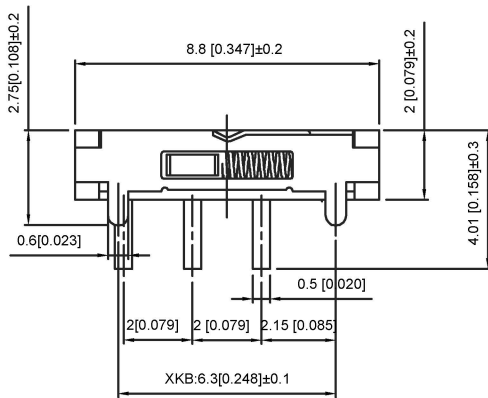
PCB Layout(pattern siade)



Circuit Diagram

NOTE:
 Rating: DC 12V 50mA
 Operating Force:200±100gf
 Lifetime:10,000 Cycles

PAPT NO	L
SK-3270B-L1	2.0
SK-3270B-L2	3.0
SK-3270B-L3	4.0



ITEM	PAPT NAME	TER.NO	QTY	MATERIAL	FINISHING	REMARK
⑤	Terminal	—	3	Brass (0.30t)	ag Plated	—
④	Contact spring	—	1	Phosphor branze	ag Plated	—
③	Base	—	1	Lcp	Black	—
②	Cover	—	1	Sus	Natural	—
①	Keystake	—	1	Pa46	Black	—

广东星坤科技股份有限公司

生	日期
ΔX	日期
ΔX	日期
ΔX	日期
MARK	文件工程章

DATE	REVISED	APPROVED	UNSPECIFIED TOLERANCES

DSND		DATE		SCALE: N/A	MODEL TYPE: SLIDE SWITCH
DWN		DATE		VIEW:	PART NO.:
CHKD		DATE		UNIT: mm/in	DWG NO.: SK-3270B-X
APPD		DATE		SIZE: A4	
KXB INDUSTRIAL PRECISION CO., LIMITED					WEIGHT · SHEET · REVISION 1.0g · 1/1 · A0