

# UPF25B50RV ✓ ACTIVE

Holsworthy | Holsworthy UPF

TE Internal #: 2176162-9

Precision Resistor, Metal Film, .25 W, 50 ohm, .1 %,  $\pm 5$  ppm/ $^{\circ}$ C, Axial-Leaded, Copper Termination, 7 x 2.7 mm, Bulk, 2 Termination, Holsworthy UPF

[View on TE.com >](#)



Passive Components > Resistors > Through-Hole Resistors



Resistor Type: **Precision Resistor**

Element Type: **Metal Film**

Power Rating: **.25 W**

Resistance Class: **Up to 1k $\Omega$**

Resistance Value: **50  $\Omega$**

## Features

### Product Type Features

Resistor Type	Precision Resistor
Element Type	Metal Film

### Configuration Features

Number of Resistors	1
---------------------	---

### Electrical Characteristics

Operating Voltage	250 V
Power Rating	.25 W
Resistance Class	Up to 1k $\Omega$
Resistance Value	50 $\Omega$
Passive Component Tolerance	.1 %

### Body Features

Lead Type	Axial-Leaded
-----------	--------------

### Termination Features

Termination Area Base Material	Copper
Number of Terminations	2

### Dimensions

Passive Component Dimensions	7 x 2.7 mm
------------------------------	------------



### Usage Conditions

Operating Temperature Range	-55 – 125 °C
Temperature Coefficient	±5 ppm/°C

### Packaging Features

Packaging Method	Bulk
------------------	------

### Product Compliance

[For compliance documentation, visit the product page on TE.com>](#)

EU RoHS Directive 2011/65/EU	Compliant
EU ELV Directive 2000/53/EC	Compliant
China RoHS 2 Directive MIIT Order No 32, 2016	No Restricted Materials Above Threshold
EU REACH Regulation (EC) No. 1907/2006	Current ECHA Candidate List: JUNE 2024 (241) Candidate List Declared Against: JUNE 2024 (241) Does not contain REACH SVHC
Halogen Content	BFR/CFR/PVC Free, but Br/Cl >900 ppm in other sources.
Solder Process Capability	Wave solder capable to 265°C

#### Product Compliance Disclaimer

This information is provided based on reasonable inquiry of our suppliers and represents our current actual knowledge based on the information they provided. This information is subject to change. The part numbers that TE has identified as EU RoHS compliant have a maximum concentration of 0.1% by weight in homogenous materials for lead, hexavalent chromium, mercury, PBB, PBDE, DBP, BBP, DEHP, DIBP, and 0.01% for cadmium, or qualify for an exemption to these limits as defined in the Annexes of Directive 2011/65/EU (RoHS2). Finished electrical and electronic equipment products will be CE marked as required by Directive 2011/65/EU. Components may not be CE marked. Additionally, the part numbers that TE has identified as EU ELV compliant have a maximum concentration of 0.1% by weight in homogenous materials for lead, hexavalent chromium, and mercury, and 0.01% for cadmium, or qualify for an exemption to these limits as defined in the Annexes of Directive 2000/53/EC (ELV). Regarding the REACH Regulation, the information TE provides on SVHC in articles for this part number is based on the latest European Chemicals Agency (ECHA) 'Guidance on requirements for substances in articles' posted at this URL: <https://echa.europa.eu/guidance-documents/guidance-on-reach>

### Compatible Parts




TE Part # 2176162-5  
UPF25 0.1% 5PPM 120R



TE Part # 2176162-7  
UPF25 0.1% 5PPM 250R



TE Part # 2176163-1  
UPF50 0.1% 5PPM 100K



TE Part # 2176163-2  
UPF50 0.1% 5PPM 100R



TE Part # 2176163-4  
UPF50 0.1% 5PPM 10R



TE Part # 2176163-6  
UPF50 0.1% 5PPM 1K0



TE Part # 2176163-9  
UPF50 0.1% 5PPM 20R



TE Part # 1-2176163-5  
UPF50 0.1% 5PPM 500R



TE Part # 2176162-2  
UPF25 0.1% 5PPM 100R



TE Part # 2176162-3  
UPF25 0.1% 5PPM 10K



TE Part # 2176162-4  
UPF25 0.1% 5PPM 10R



TE Part # 2176162-6  
UPF25 0.1% 5PPM 1K0



TE Part # 2176162-8  
UPF25 0.1% 5PPM 350R



TE Part # 1-2176162-0  
UPF25 0.1% 5PPM 5K0



TE Part # 2176163-3  
UPF50 0.1% 5PPM 10K



TE Part # 2176163-5  
UPF50 0.1% 5PPM 120R



TE Part # 2176163-7  
UPF50 0.1% 5PPM 200R



TE Part # 2176163-8  
UPF50 0.1% 5PPM 20K



TE Part # 1-2176163-0  
UPF50 0.1% 5PPM 250R



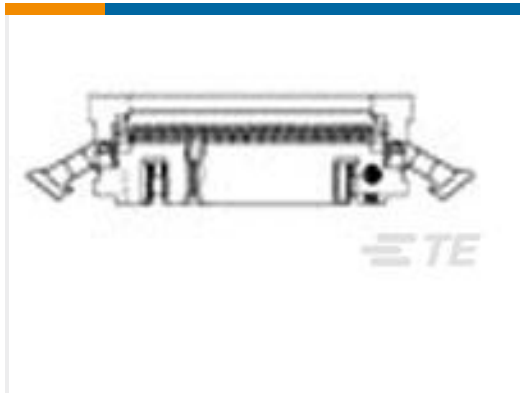
TE Part # 1-2176163-1  
UPF50 0.1% 5PPM 2K0

Also in the Series | **Holsworthy UPF**



Through-Hole Resistors(28)

## Customers Also Bought



TE Part #1-111506-8  
016 UNIV I/O 30DP SLOT LTCH



TE Part #2176163-4  
UPF50 0.1% 5PPM 10R



TE Part #5885930017  
TRSA-1019/E/1/6



TE Part #5885930015  
TRSA-1019/E/1/8

## Documents

### Product Drawings

[UPF25 0.1% 5PPM 50R](#)

English

### CAD Files

[3D PDF](#)

3D

Customer View Model

[ENG\\_CVM\\_CVM\\_2176162-9\\_BA.2d\\_dxf.zip](#)

English

Customer View Model

[ENG\\_CVM\\_CVM\\_2176162-9\\_BA.3d\\_igs.zip](#)

English

Customer View Model

[ENG\\_CVM\\_CVM\\_2176162-9\\_BA.3d\\_stp.zip](#)

English

By downloading the CAD file I accept and agree to the [Terms and Conditions](#) of use.

### Datasheets & Catalog Pages

[High Precision Metal Film Leaded Resistor Type UPF Series](#)

English