

MATERIALS AND FINISHES

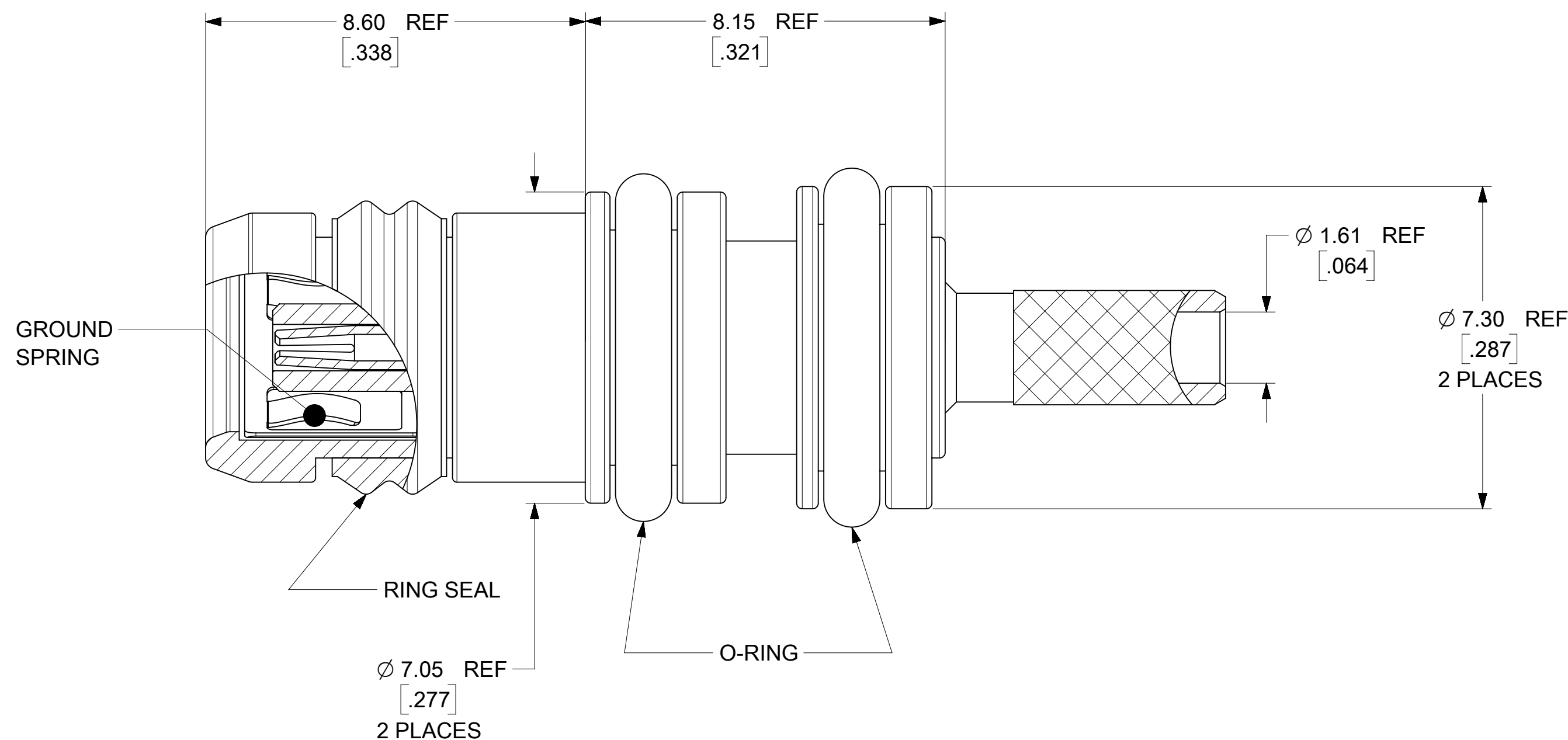
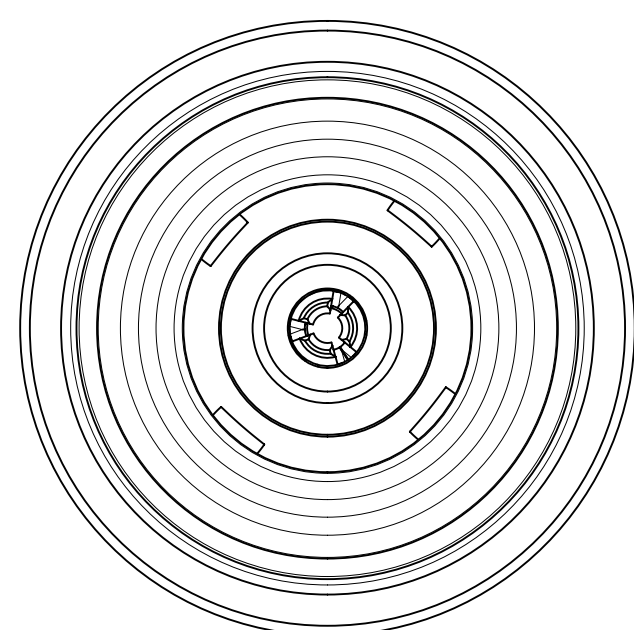
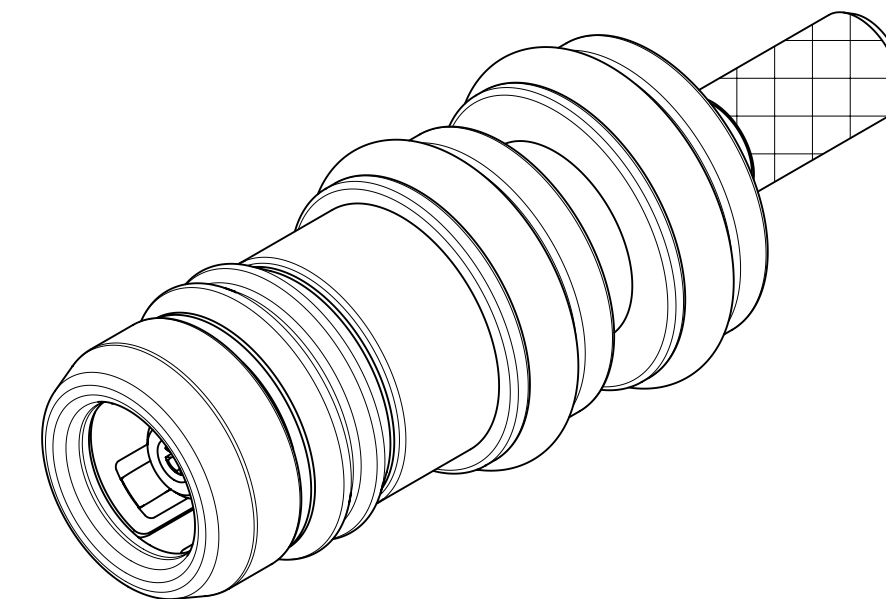
BODY: BRASS
 PLATED: TIN (100µ-in MIN) OVER NICKEL (100µ-in MIN) OVER COPPER (50µ-in MIN)

INSULATOR: POLYPROPYLENE

GROUND SPRING: BERYLLIUM COPPER
 PLATED: TIN (100µ-in MIN) OVER NICKEL (100µ-in MIN)

O-RING: SILICONE RUBBER
 COLOR: RED, 70 DUROMETER

RING SEAL: SILICONE RUBBER
 COLOR: LT BLUE, 30 DUROMETER



PART # 73404-3560

QUALITY SYMBOLS ▽ = 0 ▽ = 0 ▽ = 0 ▽ = 0 ▽ = 0 ▽ = 0 ▽ = 0 ▽ = 0 ▽ = 0 ▽ = 0	THIS DRAWING CONTAINS INFORMATION THAT IS PROPRIETARY TO MOLEX ELECTRONIC TECHNOLOGIES, LLC AND SHOULD NOT BE USED WITHOUT WRITTEN PERMISSION										
	EC NO: 121901 DRWN: BSHAH CHKD: REV / APPR: AROBERTSON	2017/09/13 2017/09/14	GENERAL TOLERANCES (UNLESS SPECIFIED)		DIMENSION UNITS		SCALE				
			MM	INCH	METRIC	NTS					
			4 PLACES ±	±	DRWN BY	DATE	SMB PLUG ST RG174 INSERT SEALED FAKRA SMP-PC/FAKRA, EWR-10016				
			3 PLACES ±	± 0.005	SSH AH	2017/05/10					
			2 PLACES ±	± 0.13	± 0.01	CHK'D BY	DATE	PRODUCT CUSTOMER DRAWING			
	1 PLACES ±	± 0.25	±	AROBERTSON	2017/05/23						
	0 PLACES ±	±	±	APPR BY	DATE	SERIES	MATERIAL NUMBER	CUSTOMER			
	ANGULAR TOL = 2.0		DRAWING SIZE		THIRD ANGLE PROJECTION		73404	734043560			
	DRAFT WHERE APPLICABLE MUST REMAIN WITHIN DIMENSIONS		C				DOCUMENT NUMBER	DOC TYPE	DOC PART	SHEET NUMBER	
						SD-73404-356	PSD	001	1 OF 1		