

MC 1,5/10-LWL 1,5-3,5 - Fiber optic



1841161

<https://www.phoenixcontact.com/us/products/1841161>

Please be informed that the data shown in this PDF document is generated from our online catalog. Please find the complete data in the user documentation. Our general terms of use for downloads are valid.

MINI COMBICON fiber optics, 3.5 mm pitch, 10-pos., separable for other numbers of positions (minimum: 2-pos.), inserts into the back of the MC header, color: transparent, dimension a: 1.5 mm



Your advantages

- Bending of the light coming from low-profile SMD LEDs by 90°, making it visible from the front
- 10-pos., can be separated for other numbers of positions
- Minimum size 2-pos.

Commercial data

| | |
|--------------------------------------|---------------------|
| Item number | 1841161 |
| Packing unit | 50 pc |
| Minimum order quantity | 50 pc |
| Sales key | AA08 |
| Product key | AAHZEА |
| Catalog page | Page 244 (C-1-2013) |
| GTIN | 4017918111809 |
| Weight per piece (including packing) | 3.594 g |
| Weight per piece (excluding packing) | 3.605 g |
| Customs tariff number | 85389099 |
| Country of origin | DE |

MC 1,5/10-LWL 1,5-3,5 - Fiber optic



1841161

<https://www.phoenixcontact.com/us/products/1841161>

Technical data

Product properties

| | |
|---------------------|---------------|
| Product type | Fiber optic |
| Product family | MC 1,5/...LWL |
| Number of positions | 10 |
| Pitch | 3.5 mm |

Data management status

| | |
|------------------|----|
| Article revision | 01 |
|------------------|----|

Dimensions

| | |
|---------------------|--------|
| Dimensional drawing | |
| Pitch | 3.5 mm |

Material specifications

| | |
|--|-------------|
| Color (Housing) | transparent |
| Flammability rating according to UL 94 | HB |

MC 1,5/10-LWL 1,5-3,5 - Fiber optic

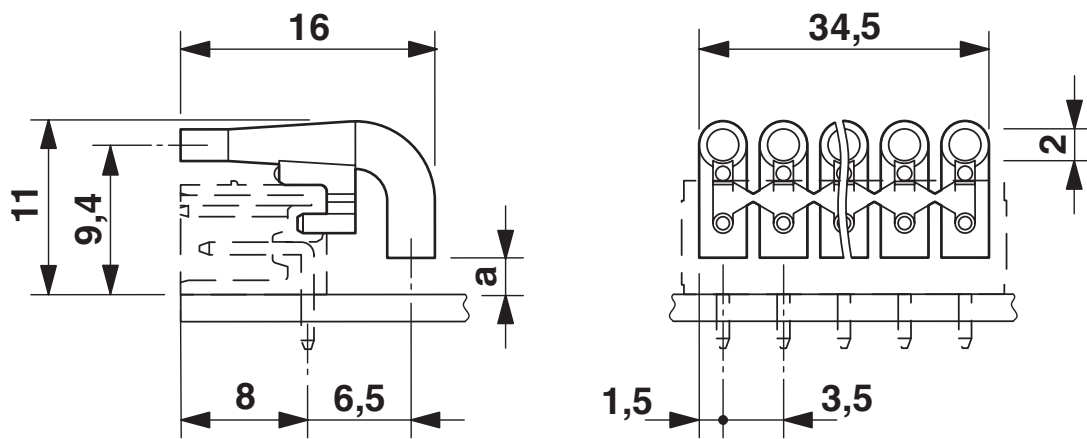


1841161

<https://www.phoenixcontact.com/us/products/1841161>

Drawings

Dimensional drawing



MC 1,5/10-LWL 1,5-3,5 - Fiber optic



1841161

<https://www.phoenixcontact.com/us/products/1841161>

Classifications

ECLASS

| | |
|-------------|----------|
| ECLASS-11.0 | 27460404 |
| ECLASS-12.0 | 27460404 |
| ECLASS-13.0 | 27460404 |

ETIM

| | |
|----------|----------|
| ETIM 9.0 | EC002943 |
|----------|----------|

UNSPSC

| | |
|-------------|----------|
| UNSPSC 21.0 | 39121400 |
|-------------|----------|

MC 1,5/10-LWL 1,5-3,5 - Fiber optic



1841161

<https://www.phoenixcontact.com/us/products/1841161>

Environmental product compliance

EU RoHS

| | |
|---|--------------------|
| Fulfills EU RoHS substance requirements | Yes, No exemptions |
|---|--------------------|

China RoHS

| | |
|--|--|
| Environment friendly use period (EFUP) | EFUP-E |
| | No hazardous substances above the limits |

EU REACH SVHC

| | |
|-------------------------------------|----------------------------|
| REACH candidate substance (CAS No.) | No substance above 0.1 wt% |
|-------------------------------------|----------------------------|

Phoenix Contact 2024 © - all rights reserved
<https://www.phoenixcontact.com>

Phoenix Contact USA
586 Fulling Mill Road
Middletown, PA 17057, United States
(+717) 944-1300
info@phoenixcon.com