

RP120 Series

Medium - High Performance Single Stage Power Line Filters



10 A to 50 A Chassis Mount Filter

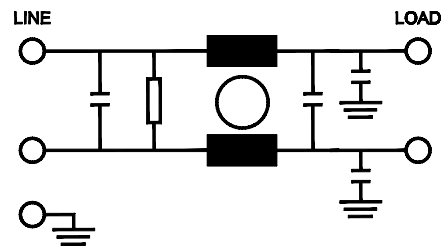
Specifications

Operating Frequency	50/60 Hz
Usable Frequency	DC - 400 Hz
Max. Operating Voltage*	250 V +10%
Ambient Temperature	-25 to 40°C
Climatic Category	25/100/21
Hipot Rating (L-G)	2700 VDC
Terminals (-T)	QD: 0.25 Tab (10-20 A) S: 30/40 A (M4) 50 A (M5)
Safety Approvals	cURus, EN60939

*Available up to 300 VAC. Please contact us to verify specifications.



Electrical Schematic



Part Number/Ordering

RP120	-X (Amps)	-Y (Ycap, nF)	-T	Typ. Weight, lbs (kg)
	10	0	QD	0.4 (0.2)
	16	0.47	QD	0.4 (0.2)
	20	1	QD	0.4 (0.2)
	30	2.2	S	1.0 (0.5)
	40	4.7	S	1.0 (0.5)
	50	10	S	1.0 (0.5)
		22		
		100		

Note: Use any combination of -Y with any -X (Amps) rating
e.g. RP120-16-22-QD (16 Amps with 22 nF Ycap)

Specifications are subject to change. Consult factory to verify specifications.

For more information on our filter products call us at: (800) 527-4362 or (714) 289-0055
LCR, Radius Power, and Filter Concepts are now part of Astrodyne TDI

RP120 Series

Medium - High Performance Single Stage Power Line Filters



10 A to 50 A Chassis Mount Filter

Typical Insertion Loss, dB (50/50 Ohm)

Freq (MHz)	0.15	0.5	1.0	10	30
10 Amp					
CM(dB)	40	55	65	65	60
DM(dB)	50	70	70	75	70
16 Amp					
CM(dB)	34	50	60	60	55
DM(dB)	44	70	70	68	64
20 Amp					
CM(dB)	20	28	34	55	60
DM(dB)	34	60	60	60	60
30 Amp					
CM(dB)	15	34	30	55	55
DM(dB)	30	65	65	60	60
40 Amp					
CM(dB)	15	24	30	55	55
DM(dB)	30	65	65	60	60
50 Amp					
CM(dB)	24	32	50	60	55
DM(dB)	40	65	65	60	60

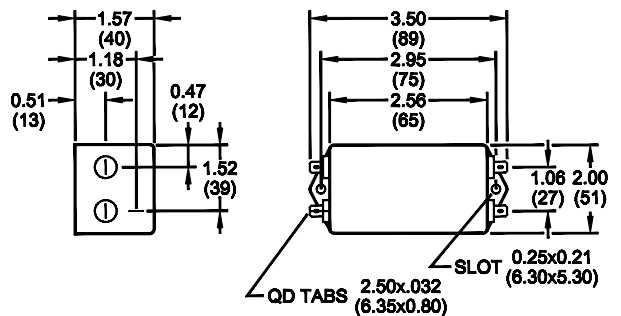
Leakage Current

Y-cap, nF	mA, 120 V/60 Hz	mA, 250 V/60 Hz
0	0.0	0.0
0.47	0.04	0.08
1	0.09	0.18
2.2	0.2	0.4
4.7	0.4	0.8
10	0.9	1.8
22	2.0	4.0
100	9.0	18.0

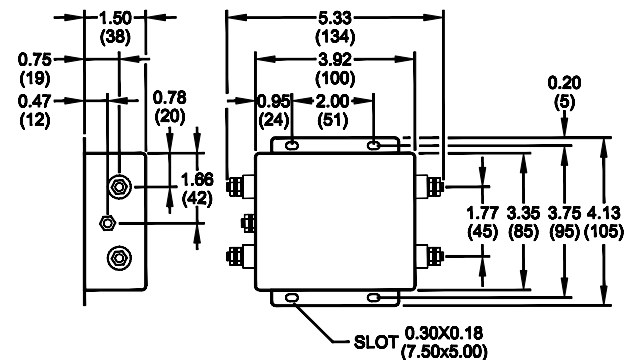
Mechanical Dimensions

TYPICAL TOLERANCE: +/-0.02" (0.50 mm)

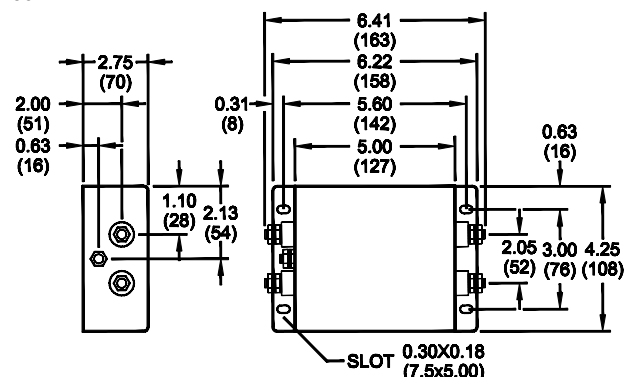
10/16/20A



30/40A



50A



Specifications are subject to change. Consult factory to verify specifications.

For more information on our filter products call us at: (800) 527-4362 or (714) 289-0055
 LCR, Radius Power, and Filter Concepts are now part of Astrodyne TDI

Mouser Electronics

Authorized Distributor

Click to View Pricing, Inventory, Delivery & Lifecycle Information:

Astrodyne TDI:

[RP120-30-4.7-S](#) [RP120-10-4.7-QD](#) [RP120-40-4.7-S](#) [RP120-10-.47-QD](#) [RP120-20-4.7-S](#) [RP120-10-.47-W](#) [RP120-10-0-QD](#) [RP120-30-2.2-S](#) [RP120-20-4.7-QD](#) [RP120-20-.47-S](#) [RP120-40-10-S](#) [RP120-20-0.47-QD](#) [RP120-30-.47-S](#) [RP120-10-0-W](#) [RP120-30-0-S](#) [RP120-30-4.7-QD](#) [RP120-10-4.7-W](#)