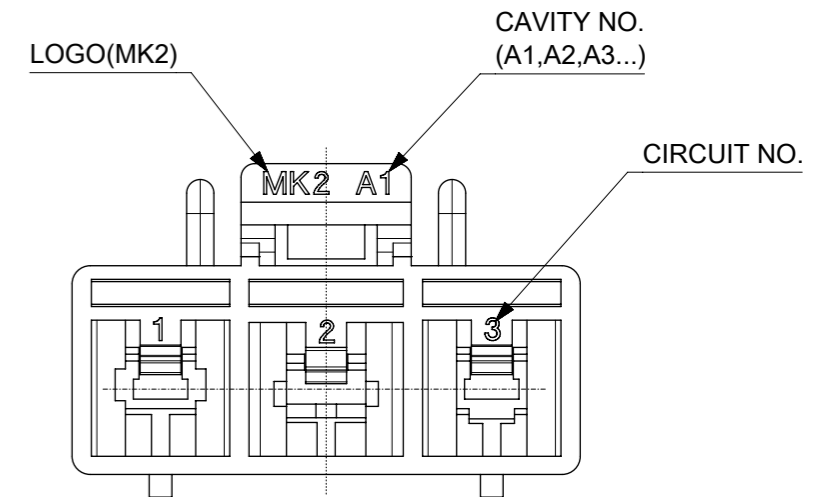
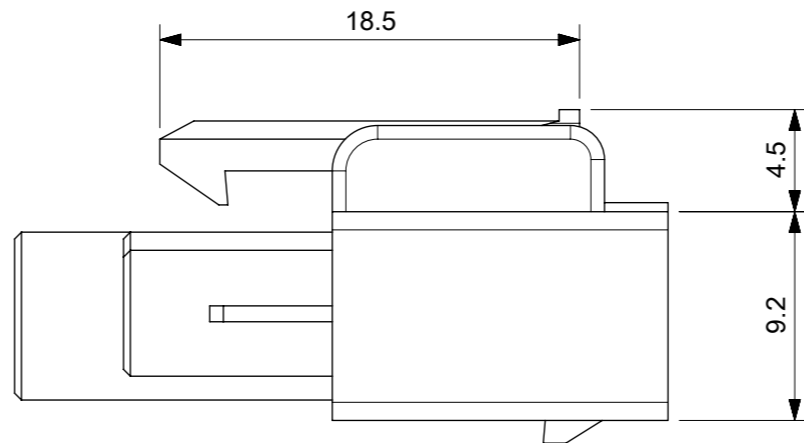
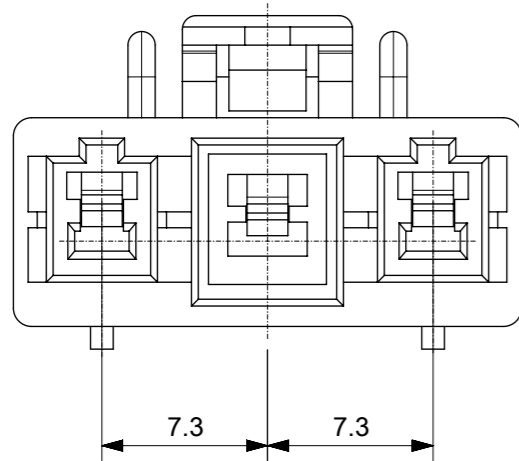
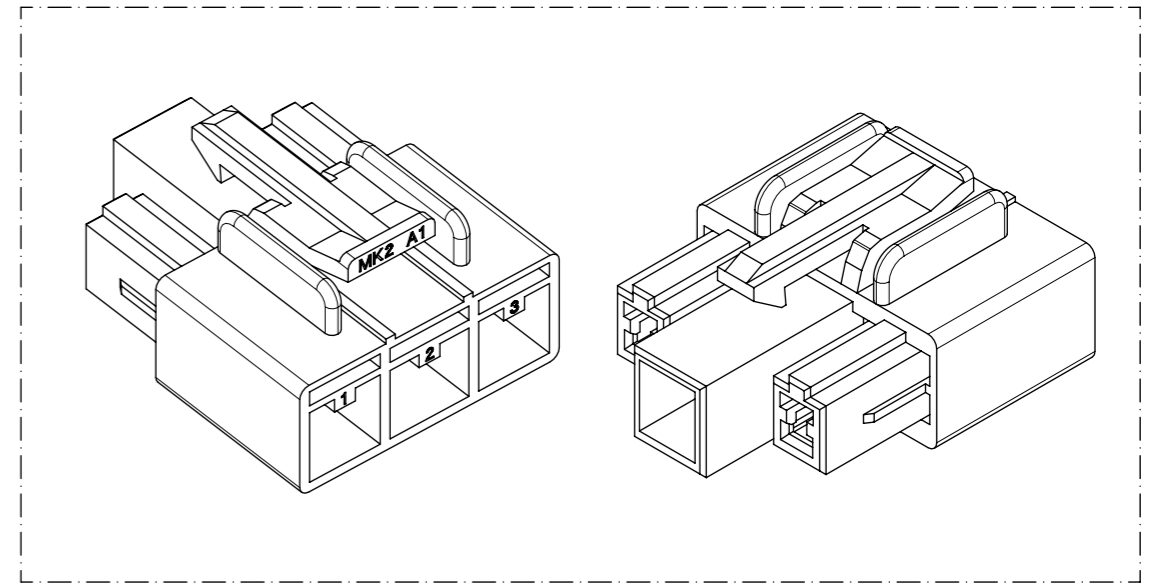


NOTE

1. MATERIALS : SEE TABLE
2. MATED HOUSING : 35150-*30*, 35150-*31*
35186-0610, 35524-*92*
3. APPLICABLE TPA : 35150-039*
4. APPLICABLE TERMINAL : 35746-0*10 (1 CIRCUIT)
35745-0*10 (2 CIRCUIT)
35748-0*10 (3 CIRCUIT)
5. PRODUCT SPECIFICATION : PS-35150-001
PS-35150-003
PS-35524-001
6. PACKAGING SPECIFICATION : PK-35151-004



NO.	MATERIAL		PRODUCT	
	DESCRIPTION	COLOR	MATERIAL NO.	PART NO.
1	PET/PC (UL94V-0)	BLUE	351514319	35151-4319
2		YELLOW	351513319	35151-3319
4		NATURAL	351510319	35151-0319
5	PBT (UL94V-0)	BLUE	351510314	35151-0314
6		NATURAL	351510310	35151-0310

THIS DRAWING CONTAINS INFORMATION THAT IS PROPRIETARY TO MOLEX ELECTRONIC TECHNOLOGIES, LLC AND SHOULD NOT BE USED WITHOUT WRITTEN PERMISSION		CURRENT REV DESC: OBSOLETE PART NUMBER		molex	
DIMENSION UNITS	SCALE				
mm	3:1			7.3 PITCH W/W CONN. FEMALE HOUSING -3P	
GENERAL TOLERANCES (UNLESS SPECIFIED)				PRODUCT CUSTOMER DRAWING	
ANGULAR TOL	± 1.0 °			DOCUMENT NUMBER	
4 PLACES	±	EC NO: 644856	2020/06/25	SD-35151-031	
3 PLACES	±	DRWN: RPRABHUM	2020/10/07	DOC TYPE	DOC PART
2 PLACES	±	CHK'D: GGA	2020/10/07	PSD	001
1 PLACE	± 0.3	APPR: GGA	2020/10/07	REVISION	G
0 PLACES	±	INITIAL REVISION:			
DRAFT WHERE APPLICABLE MUST REMAIN WITHIN DIMENSIONS		DRWN: SCHONG03	2017/09/20		
THIRD ANGLE PROJECTION		APPR: YSKIM02	2017/12/18		
DRAWING		SERIES	MATERIAL NUMBER	CUSTOMER	
A3-SIZE		35151	SEE TABLE	GENERAL MARKET	
				SHEET NUMBER	
				1 OF 1	