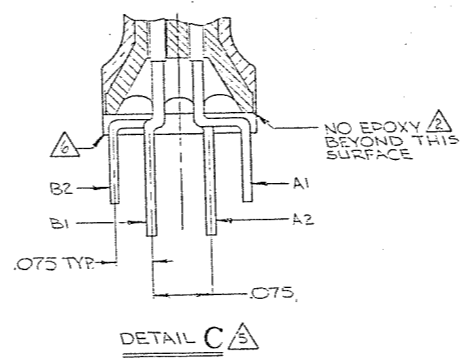
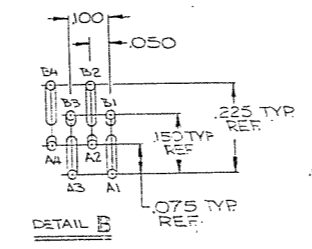
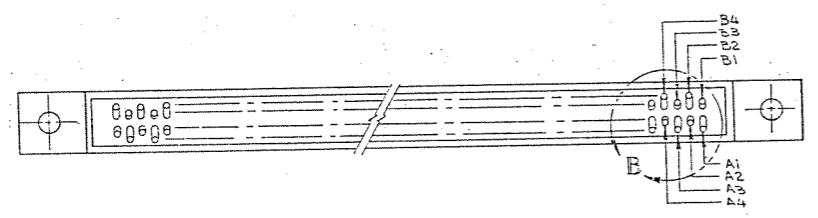
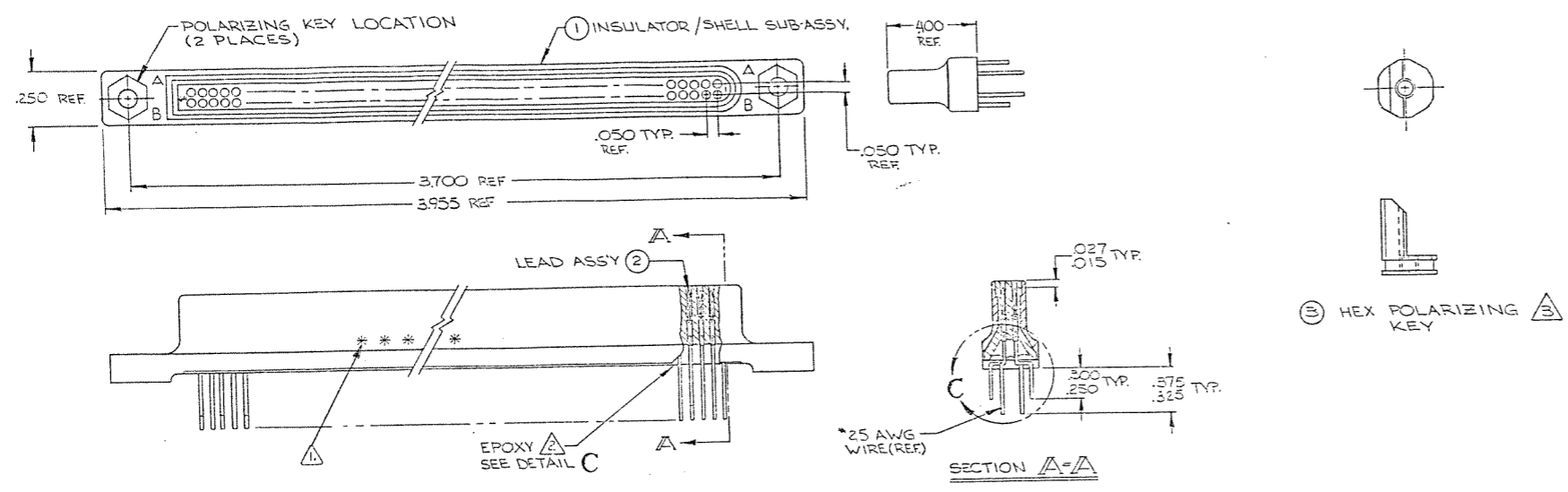


8 7 6 5 4 3 2 1

REVISIONS					
ZONE	LTR	ECN	DESCRIPTION	DATE	APPROVED
A			RELEASED ECO M17741	4-3-74	UT
B			IN NOTE 4 WAS MARK MICRODOT... IN NOTE 4 WAS: CRIMP... PER DWG. 035-0000-0024, PICTURE CHG. TO SHOW DIA ON WIRE POL. KEY. SEC 20100 AND 3-B-76	7-18-76	LD
C			2482 UPDATED REV LETTER	4-26-78	UT
D			2482 UPDATED REV LETTER	3-29-82	Y.C.
E			3827 UPDATED REV LETTER	11/2/89	M.C.
F			COMBINE M & CD DWG		
G			43724 DELETED NOTE 7 AND CALLOUTS.	7/1/8	TL



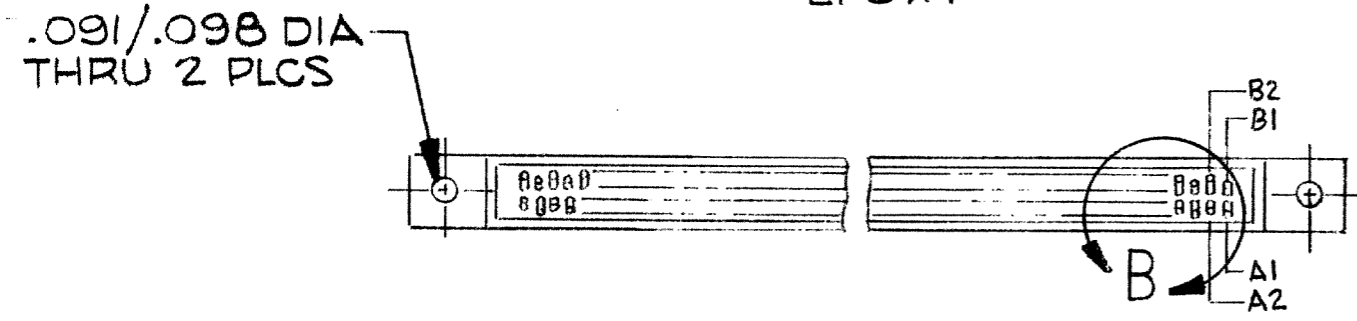
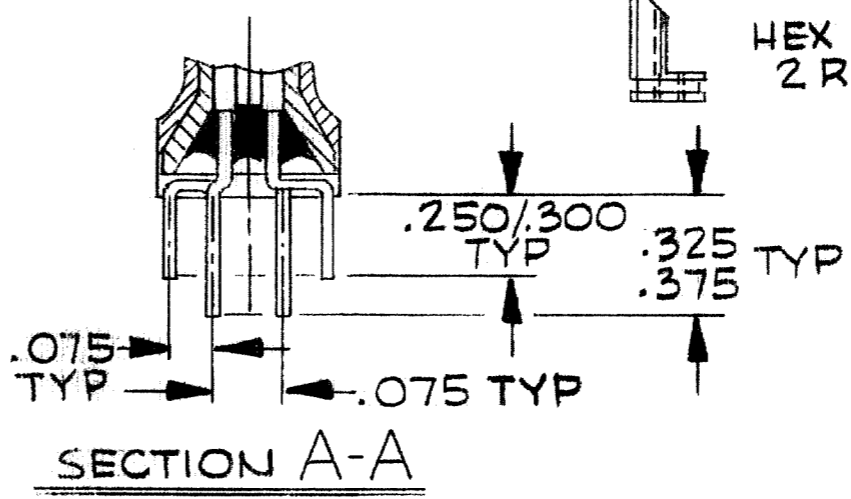
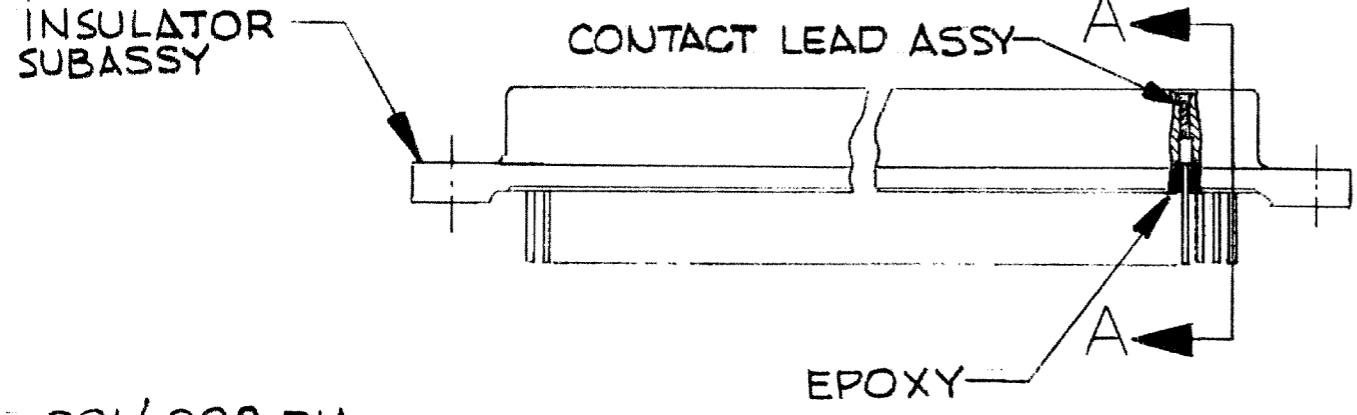
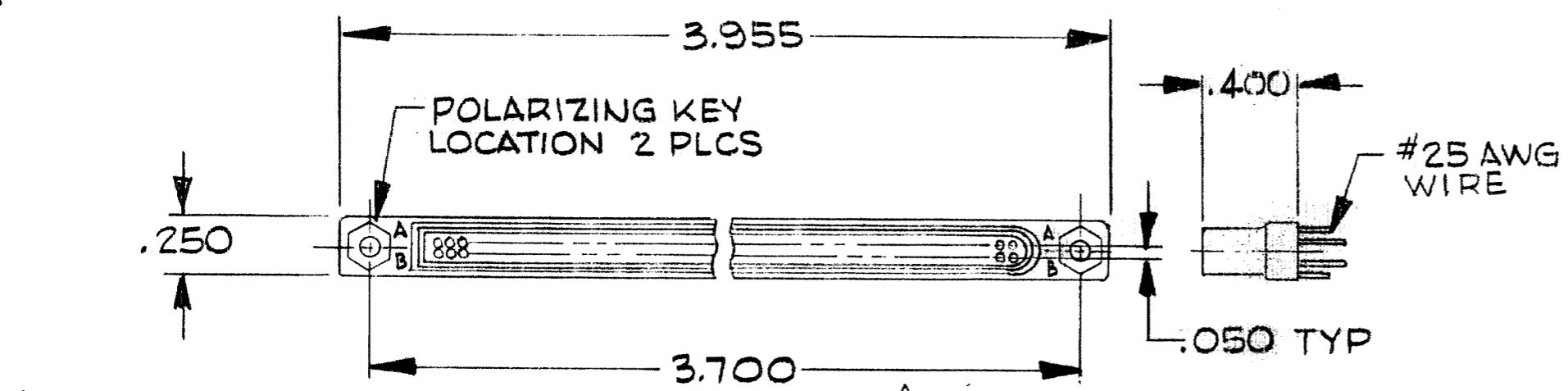
- NOTES:
- △ MARK PER TPD.
  - △ EPOXY AS SHOWN WITH P/N: 983527-1 AND/OR 1325708-1
  - △ TWO POLARIZING KEYS ARE SUPPLIED BUT NOT ASSEMBLED.
  - 4. CRIMP CONTACTS PER MEP 302-05 WHEN REQUIRED
  - △ FORM TERMINAL WIRES AS SHOWN. NO SCRATCHES EXPOSING BASE METAL PERMITTED ON WIRES AFTER FORMING.
  - △ THE 90° BEND IN THE TERMINAL SHALL NOT EXTEND BELOW THE PLANE OF THE MOUNTING FLANGE.
  - △ DELETED.

TE CUSTOMER DWG: 2-1532018-3

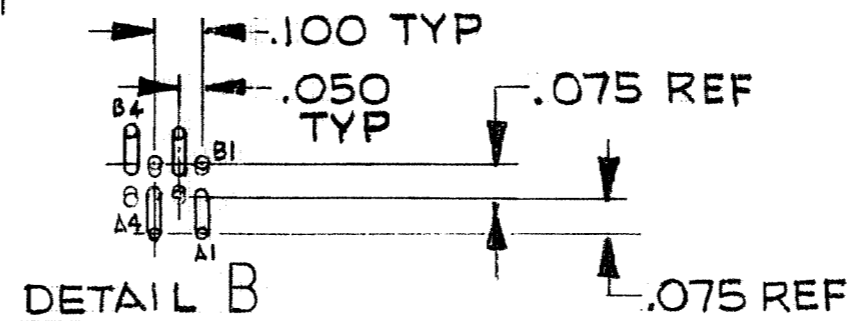
QTY REQD	CODE IDENT	PART OR IDENTIFYING NO.	NOMENCLATURE OR DESCRIPTION
PARTS LIST			
LUNLESS OTHERWISE SPECIFIED DIMENSIONS ARE IN INCHES TOLERANCES ARE: FRACTIONS DECIMALS ANGLES ± .005 ± .005 ± .005		CONTRACT NO.	MALCO A MICRODOT COMPANY, INC. 266 PASADENA AVE., SO. PASADENA, CALIF. 91030
MATERIAL	APPROVALS	DATE	CONNECTIONER, PLUG, STD. METAL SHELL MASTER MCEMI-128 PZ
FINISH	CHECKED	DATE	PROD. CODE L208
NEXT ASSY	PR. ENG.	DATE	CODE M
USED ON	APPD.		SIZE C CODE IDENT NO. 98275 DRAWING NO. 2-1532018-3 =095-0087-7101
APPLICATION	DO NOT SCALE DRAWING	SCALE 1:1	SHEET 1 OF 1

8 7 6 5 4 3 2 1

REVISIONS					
ZONE	LTR	ECO	DESCRIPTION	DATE	APPROVED
	F		COMBINE M & CD		
	G	43725	UPDATE REV LETTER.	7/1/8	TL



DIMENSIONS SUBJECT TO CHANGE



TE CUSTOMER DWG: 2-1532018-3

QTY.	PT. NO.	DESCRIPTION	ITEM NO.
------	---------	-------------	----------

PARTS LIST

UNLESS OTHERWISE SPECIFIED DIMENSIONS ARE IN INCHES TOLERANCES ARE: FRACTIONS DECIMALS ANGLES ± .XX ± .02 ± .XXX ± .010		CONTRACT NO.		<b>MALCO</b> A MICRODOT COMPANY, INC. 306 PASADENA AVE., SO. PASADENA, CALIF. 91030	PROD. CODE L208 CODE CD
MATERIAL		APPROVALS	DATE		
FINISH		DRAWN A.HICKS	9-12-74		
NEXT ASSY		CHECKED <i>[Signature]</i>	9-13-74		
USED ON		PR. ENG. <i>[Signature]</i>	9/13/74	DRAWING NO. 2-1532018-3 =095-0087-7101	
APPLICATION		APPROVED <i>[Signature]</i>	7-1-74	SIZE <b>B</b> CODE IDENT NO. <b>98278</b>	SHEET 1 OF 1
		These drawings and specifications are the property of Microdot Inc., are issued in strict confidence and shall not be divulged, be reproduced or copied, or used as the basis for the manufacture or sale of any article without written permission of Microdot Inc.		SCALE NONE	