

ALUMILINE LED FIXTURE

Features

- High Brightness
- Long Life
- Low Power Consumption
- RoHS Compliant
- No UV Emission
- Thermally Optimized
- Low Profile
- Moisture Resistant
- Mounting Holes for Ease of Installation



Maximum Ratings

Parameter	Symbol	Rating	Units
LED Junction Temperature	T_J	125	$^{\circ}\text{C}$
Operating Temperature	T_{opr}	-30 ~ +85	$^{\circ}\text{C}$
Storage Temperature	T_{stg}	-40 ~ +85	$^{\circ}\text{C}$

Mating Components

Input Connector Options allows for input to either side of bar allowing flexibility in design.

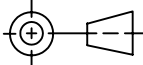
JKL Part Numbers:

ZAF-CH-S: Input Connector

ZAF-CH-S1: Input Connector

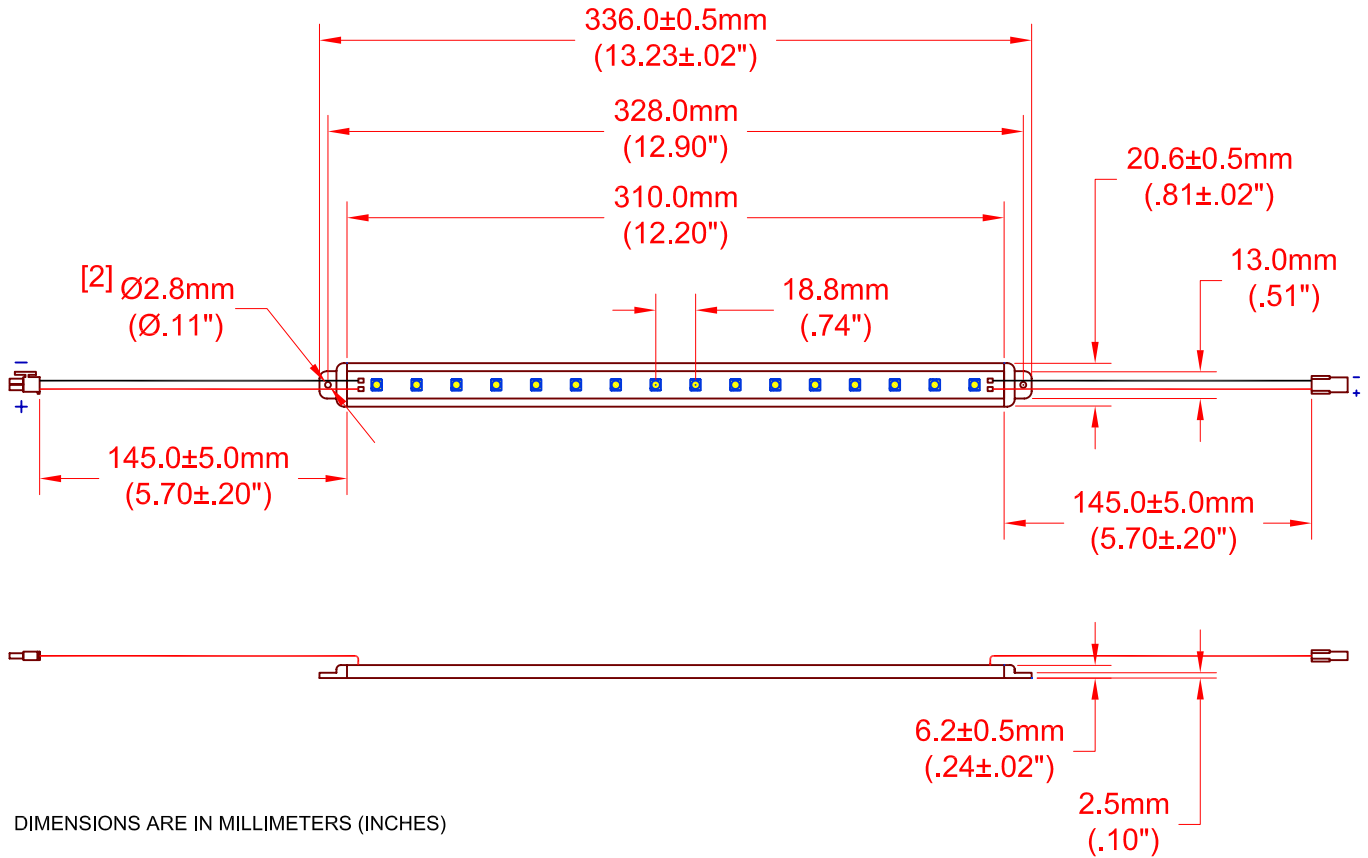
ZAF-CH-J: Jumper Connector

ZPS-20: 24V Power Supply mates with both input connector options

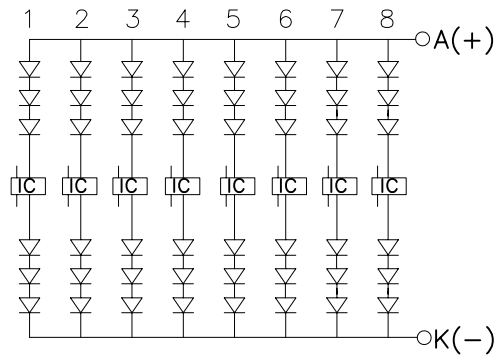
			METRIC  THIRD ANGLE PROJECTION		DIMENSIONS ARE MILLIMETER (INCH) TOLERANCE UNLESS OTHERWISE SPECIFIED 1 PL +/- REF. 2 PL +/- REF. ANGLE +/- REF.		JKL COMPONENTS CORPORATION								
					TITLE ALUMILINE LED FIXTURE										
B	ADD MATING COMPONENTS NOTE	7/16/09	DRAWN BY		APP'VD BY	DATE	SIZE	FSCM NO.	DRAWING NO.						
A	PG 2 15 V DC TO 24 V DC & PART # CHNG	6/2/09	L. WENGSTROM		S.C.	7/16/09	A	55335	ZAF-MULTI						
	RELEASED	5/5/09													
REV. NO.	DESCRIPTION/ECO NUMBER	APP'VD DATE	- CAD DRAWING - MANUAL REVISIONS NOT PERMITTED			SCALE	NONE	RELEASED DATE	5/6/09	REVISION DATE	7/16/09	REV. NO.	B	SHEET	1 OF 6

ALUMILINE LED FIXTURE

Dimensions



Circuit Diagram

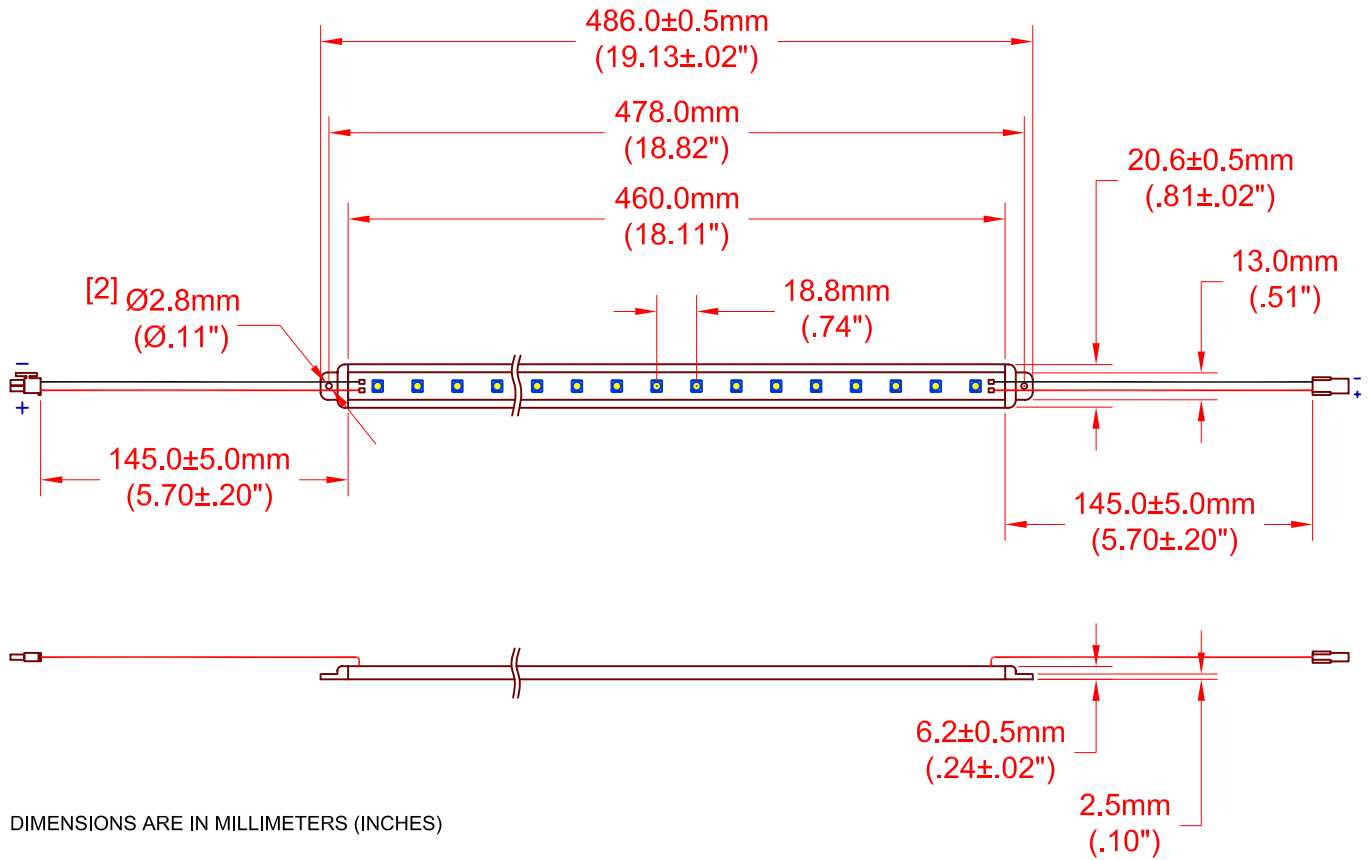


Electro-Optical Characteristics (Ta = 25°C)

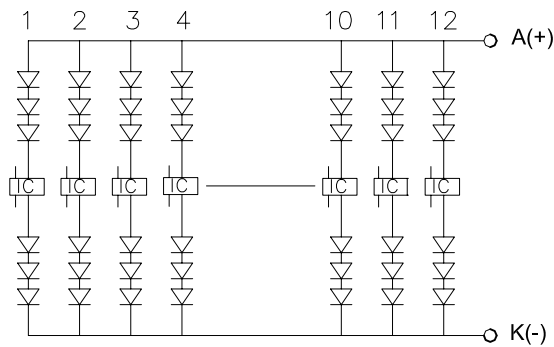
JKL Part Number	Color	Number of LEDs	Input Voltage (V DC)	Power (W)	Current (mA)	Radiance Angle (Deg.)	λd(nm)/ CCT(K)	Lumen Flux (lm)
ZAF-336-24CW	Cool White	16	24	3.84	160	120	6000K	192
ZAF-336-24NW	Neutral White	16	24	3.84	160	120	4100K	163
ZAF-336-24WW	Warm White	16	24	3.84	160	120	3050K	163

ALUMILINE LED FIXTURE

Dimensions



Circuit Diagram

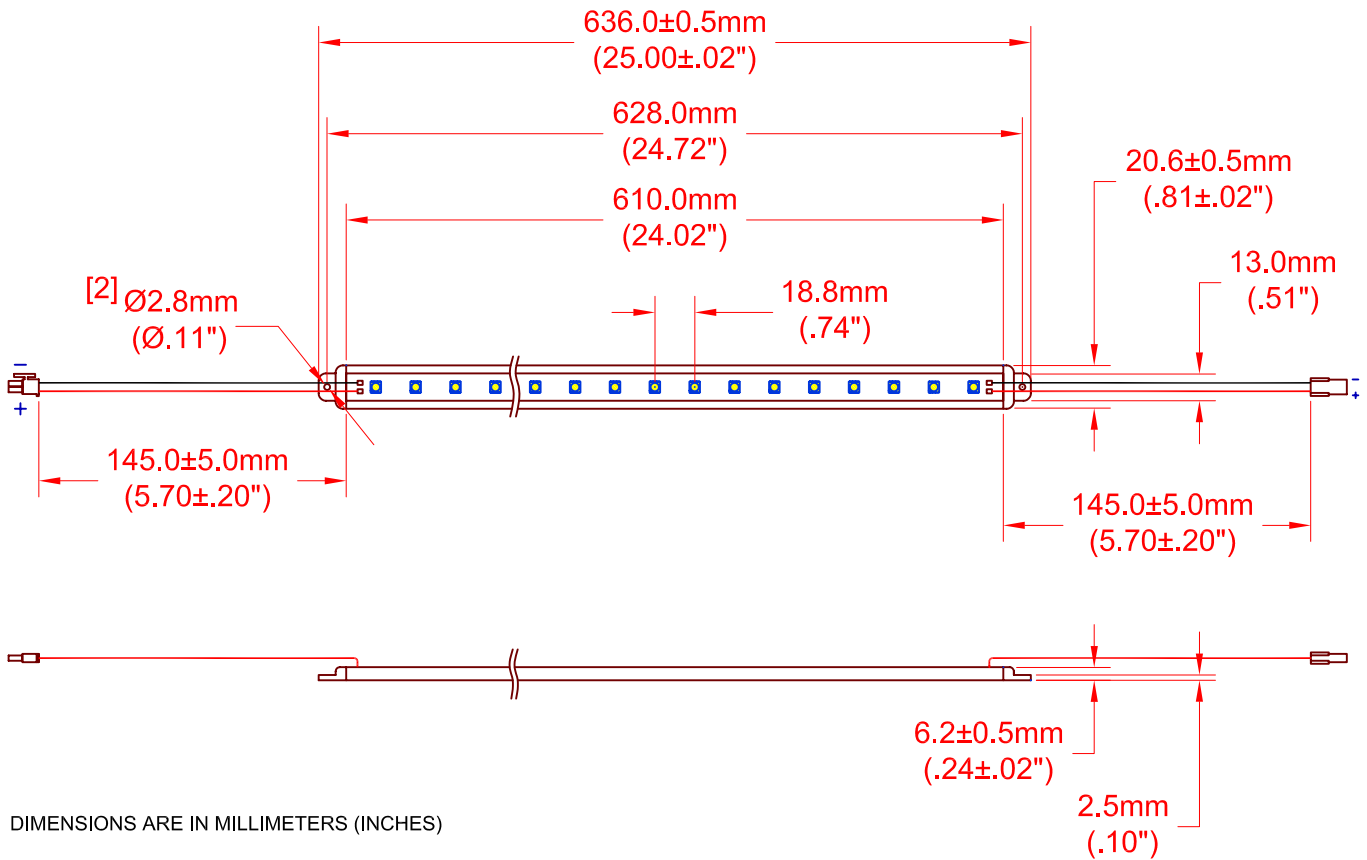


Electro-Optical Characteristics (Ta = 25°C)

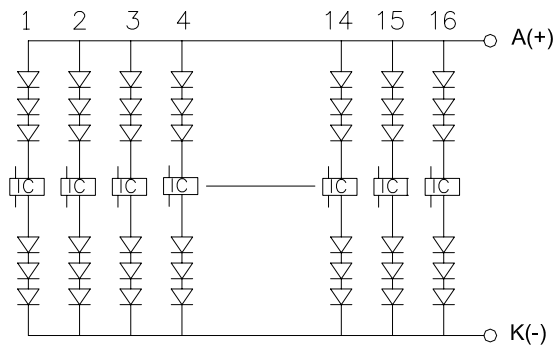
JKL Part Number	Color	Number of LEDs	Input Voltage (V DC)	Power (W)	Current (mA)	Radiance Angle (Deg.)	λd(nm)/ CCT(K)	Lumen Flux (lm)
ZAF-486-24CW	Cool White	24	24	5.76	240	120	6000K	288
ZAF-486-24NW	Neutral White	24	24	5.76	240	120	4100K	245
ZAF-486-24WW	Warm White	24	24	5.76	240	120	3050K	245

ALUMILINE LED FIXTURE

Dimensions



Circuit Diagram

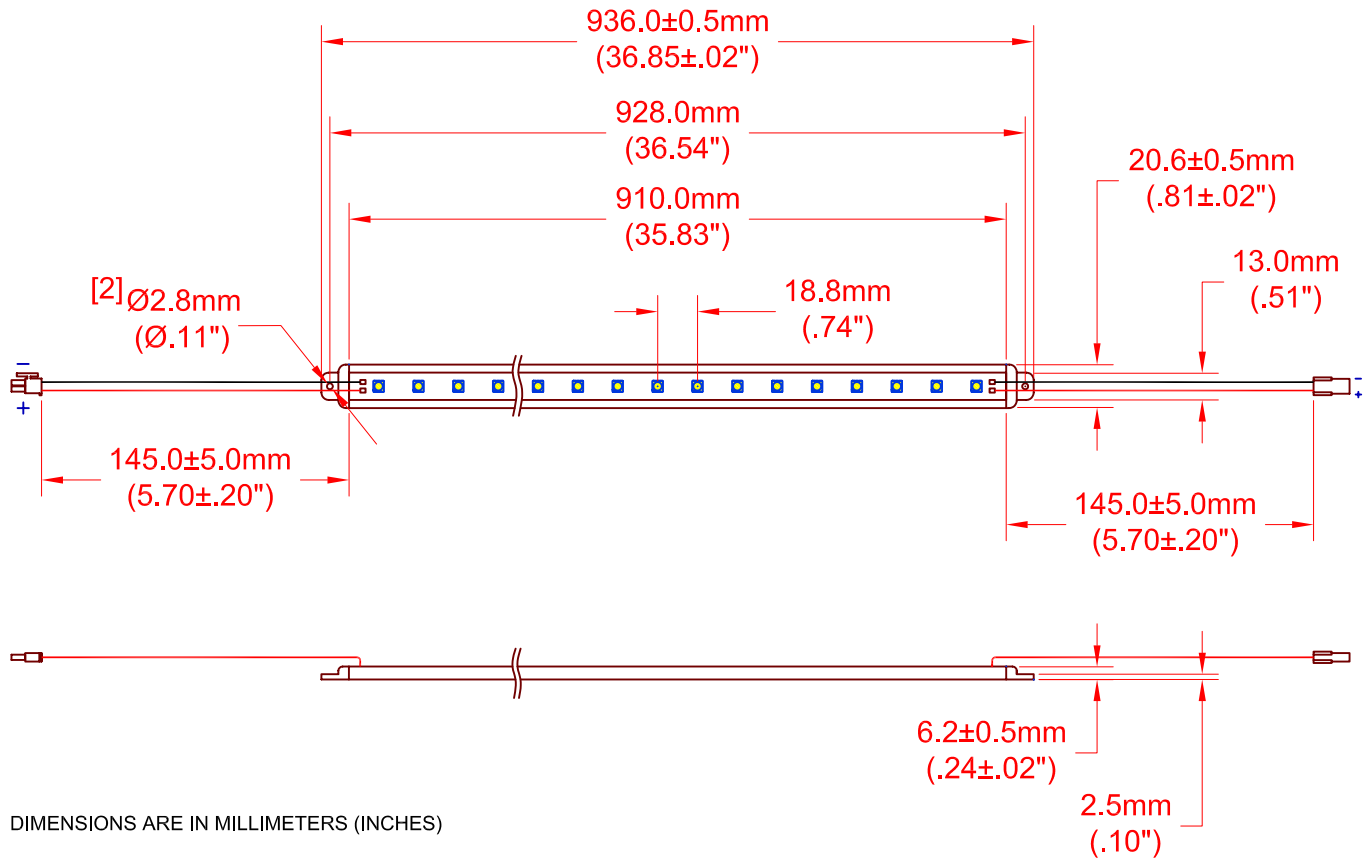


Electro-Optical Characteristics (Ta = 25°C)

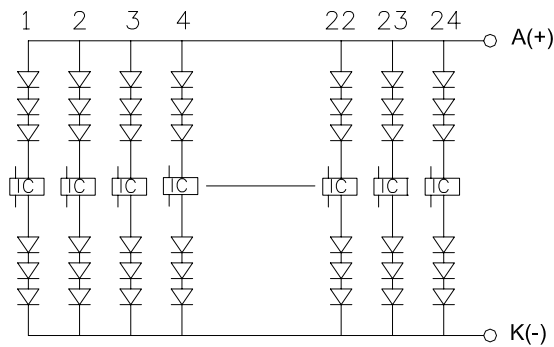
JKL Part Number	Color	Number of LEDs	Input Voltage (V DC)	Power (W)	Current (mA)	Radiance Angle (Deg.)	λd(nm)/ CCT(K)	Lumen Flux (lm)
ZAF-636-24CW	Cool White	32	24	7.68	320	120	6000K	384
ZAF-636-24NW	Neutral White	32	24	7.68	320	120	4100K	326
ZAF-636-24WW	Warm White	32	24	7.68	320	120	3050K	326

ALUMILINE LED FIXTURE

Dimensions



Circuit Diagram

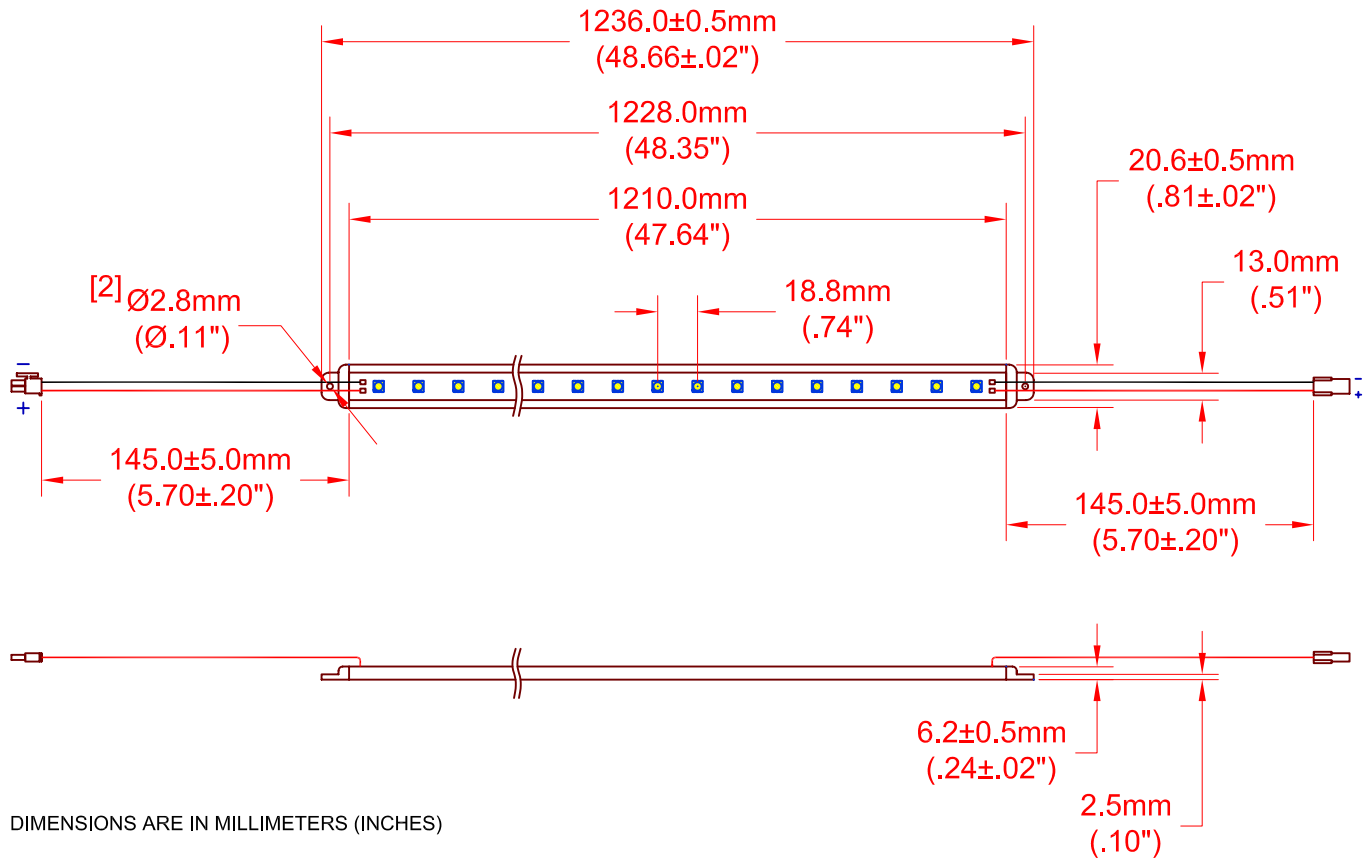


Electro-Optical Characteristics (Ta = 25°C)

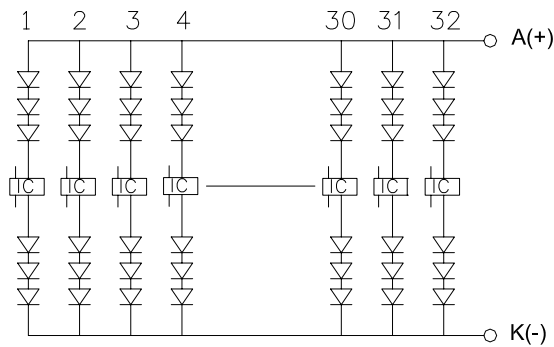
JKL Part Number	Color	Number of LEDs	Input Voltage (V DC)	Power (W)	Current (mA)	Radiance Angle (Deg.)	λd(nm)/ CCT(K)	Lumen Flux (lm)
ZAF-936-24CW	Cool White	48	24	11.52	480	120	6000K	576
ZAF-936-24NW	Neutral White	48	24	11.52	480	120	4100K	490
ZAF-936-24WW	Warm White	48	24	11.52	480	120	3050K	490

ALUMILINE LED FIXTURE

Dimensions



Circuit Diagram



Electro-Optical Characteristics (Ta = 25°C)

JKL Part Number	Color	Number of LEDs	Input Voltage (V DC)	Power (W)	Current (mA)	Radiance Angle (Deg.)	λd(nm)/ CCT(K)	Lumen Flux (lm)
ZAF-1236-24CW	Cool White	64	24	15.36	640	120	6000K	768
ZAF-1236-24NW	Neutral White	64	24	15.36	640	120	4100K	630
ZAF-1236-24WW	Warm White	64	24	15.36	640	120	3050K	630

Mouser Electronics

Authorized Distributor

Click to View Pricing, Inventory, Delivery & Lifecycle Information:

JKL Components:

[ZAF-1236-24CW](#) [ZAF-1236-24NW](#) [ZAF-1236-24WW](#) [ZAF-336-24CW](#) [ZAF-336-24NW](#) [ZAF-336-24WW](#) [ZAF-486-24CW](#) [ZAF-486-24NW](#) [ZAF-486-24WW](#) [ZAF-636-24CW](#) [ZAF-636-24NW](#) [ZAF-636-24WW](#) [ZAF-936-24CW](#) [ZAF-936-24NW](#) [ZAF-936-24WW](#)