

# CFR100J1M0 ✓ ACTIVE

Neohm | Neohm CFR

TE Internal #: 1-1623925-9

General Purpose Resistor, Carbon Film / Thin Film, 1 W, 1M ohm, 5 %, -700 – 0 ppm/°C, Axial-Leaded, Copper Termination, 12 x 5 mm, Neohm CFR

[View on TE.com >](#)



Passive Components > Resistors > Through-Hole Resistors



Resistor Type: **General Purpose Resistor**

Element Type: **Carbon Film, Thin Film**

Power Rating: **1 W**

Resistance Class: **1M $\Omega$  – 1G $\Omega$**

Resistance Value: **1M  $\Omega$**

## Features

### Product Type Features

Resistor Type	General Purpose Resistor
Element Type	Carbon Film, Thin Film

### Configuration Features

Number of Resistors	1
---------------------	---

### Electrical Characteristics

Operating Voltage	500 V
Power Rating	1 W
Resistance Class	1M $\Omega$ – 1G $\Omega$
Resistance Value	1M $\Omega$
Passive Component Tolerance	5 %

### Body Features

Lead Type	Axial-Leaded
-----------	--------------

### Termination Features

Termination Area Base Material	Copper
Number of Terminations	2

### Dimensions

Passive Component Dimensions	12 x 5 mm
------------------------------	-----------

### Usage Conditions

Operating Temperature Range	-55 – 155 °C
Temperature Coefficient	-700 – 0 ppm/°C

### Packaging Features

Packaging Method	Ammo Packed
------------------	-------------

### Product Compliance

[For compliance documentation, visit the product page on TE.com>](#)

EU RoHS Directive 2011/65/EU	Compliant
EU ELV Directive 2000/53/EC	Compliant
China RoHS 2 Directive MIIT Order No 32, 2016	No Restricted Materials Above Threshold
EU REACH Regulation (EC) No. 1907/2006	Current ECHA Candidate List: JUNE 2024 (241) Candidate List Declared Against: JUNE 2024 (241) Does not contain REACH SVHC
Halogen Content	Low Halogen - Br, Cl, F, I < 900 ppm per homogenous material. Also BFR/CFR/PVC Free
Solder Process Capability	Wave solder capable to 265°C

#### Product Compliance Disclaimer

This information is provided based on reasonable inquiry of our suppliers and represents our current actual knowledge based on the information they provided. This information is subject to change. The part numbers that TE has identified as EU RoHS compliant have a maximum concentration of 0.1% by weight in homogenous materials for lead, hexavalent chromium, mercury, PBB, PBDE, DBP, BBP, DEHP, DIBP, and 0.01% for cadmium, or qualify for an exemption to these limits as defined in the Annexes of Directive 2011/65/EU (RoHS2). Finished electrical and electronic equipment products will be CE marked as required by Directive 2011/65/EU. Components may not be CE marked. Additionally, the part numbers that TE has identified as EU ELV compliant have a maximum concentration of 0.1% by weight in homogenous materials for lead, hexavalent chromium, and mercury, and 0.01% for cadmium, or qualify for an exemption to these limits as defined in the Annexes of Directive 2000/53/EC (ELV). Regarding the REACH Regulation, the information TE provides on SVHC in articles for this part number is based on the latest European Chemicals Agency (ECHA) 'Guidance on requirements for substances in articles' posted at this URL: <https://echa.europa.eu/guidance-documents/guidance-on-reach>

### Compatible Parts



TE Part # 1623930-3  
CFR25 5% 10K



TE Part # 1623927-8  
CFR16 5% 120R



TE Part # 1623932-8  
CFR50 5% 10K



TE Part # 1623925-2  
CFR100 5% 100R



TE Part # 2-1623929-2  
CFR200 5% 22K

## Also in the Series | Neohm CFR



[Through-Hole Resistors\(379\)](#)

## Customers Also Bought



TE Part #1879378-7  
TLR 2512 2.0W R0005 1% 50PPM 2K RL



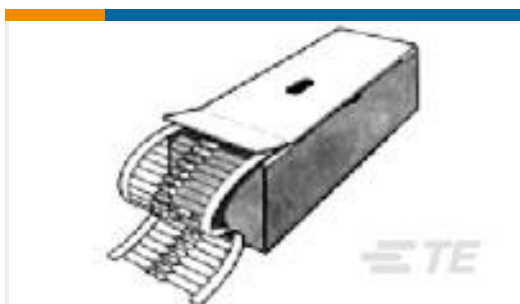
TE Part #5-1419111-2  
PT271012



TE Part #2-1658527-2  
622-1441LF=FSKT IDC S 14 30AU



TE Part #2-1658527-8  
622-3441LF=FSKT IDC S 34 30AU



TE Part #1-1879927-7  
EP 7W 2K2 5%



TE Part #02560389-000  
LVDT HR 050 ASSY



TE Part #5177984-6  
0.8FH,P05H.5,140,08/Sn,TU



TE Part #1701730-1  
P4X120D



## Documents

### Product Drawings

[CFR100 5% 1M0](#)

English

---

### CAD Files

Customer View Model

[ENG\\_CVM\\_CVM\\_1-1623925-9\\_BA.2d\\_dxf.zip](#)

English

3D PDF

3D

Customer View Model

[ENG\\_CVM\\_CVM\\_1-1623925-9\\_BA.3d\\_igs.zip](#)

English

Customer View Model

[ENG\\_CVM\\_CVM\\_1-1623925-9\\_BA.3d\\_stp.zip](#)

English

By downloading the CAD file I accept and agree to the [Terms and Conditions](#) of use.

---

### Datasheets & Catalog Pages

[1309350\\_PASSIVE\\_COMPONENT](#)

English

[Ceramic Film Fixed Resistors - Type CFR Series - Tyco Electronics Passives](#)

English