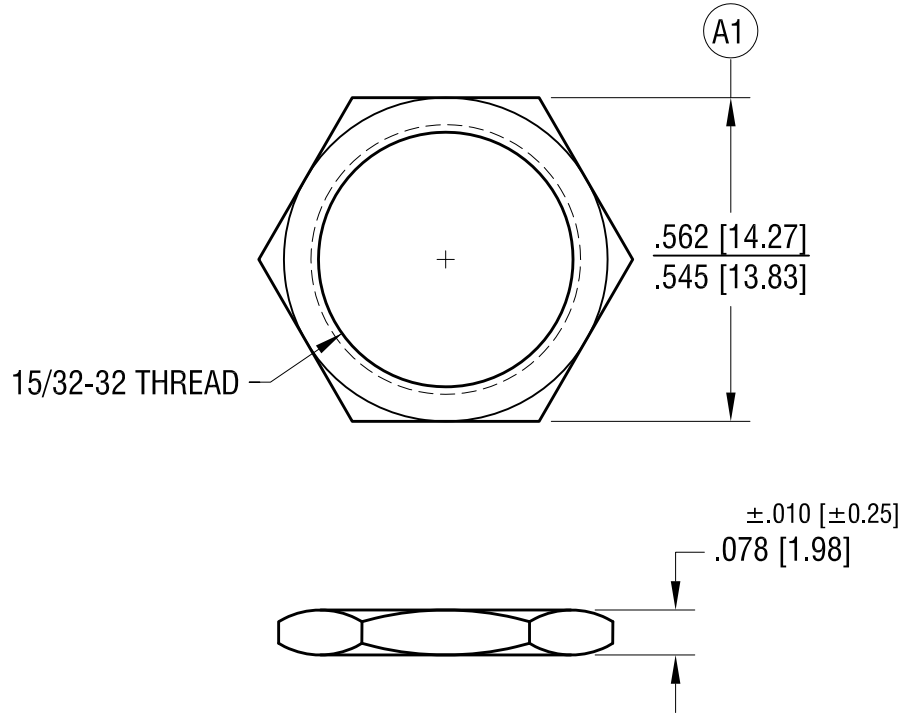


THIS DOCUMENT IS THE PROPERTY OF
KEYSTONE ELECTRONICS CORP. AND
SHALL NOT BE REPRODUCED, DISTRIBUTED
OR USED AS A BASIS FOR MANUFACTURE
WITHOUT PRIOR WRITTEN PERMISSION
FROM KEYSTONE ELECTRONICS CORP.



4.17.18	$\textcircled{A1}$ WAS $.562 + .005 / - .015$ CHANGE ASPER ECN 18-021	A
DATE	DESCRIPTION	REV.

KEYSTONE ELECTRONICS CORP.			
www.keyelco.com • NEW HYDE PARK, NY 11040 • Tel (516) 328-7500			
PART NAME		PANEL NUT, 15/32-32	
MATERIAL		BRASS	
FINISH	DRN BY	DATE	
NICKEL PLATE	BOONE	10.15.97	
	APP'D	SCALE	
	LN	3X	
TOLERANCES	INCH [MM]	CODE	DWG NO.
DECIMAL	$\pm .005 [\pm 0.13]$	C	1458
ANGULAR	$\pm 1^\circ$		
UNLESS OTHERWISE SPECIFIED			