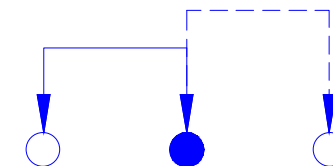
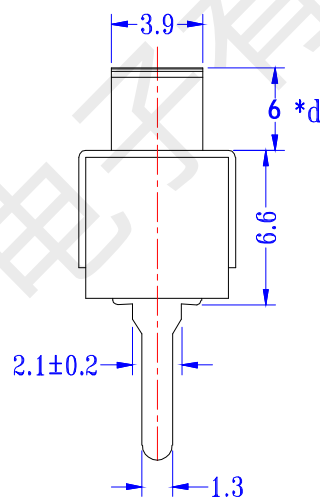
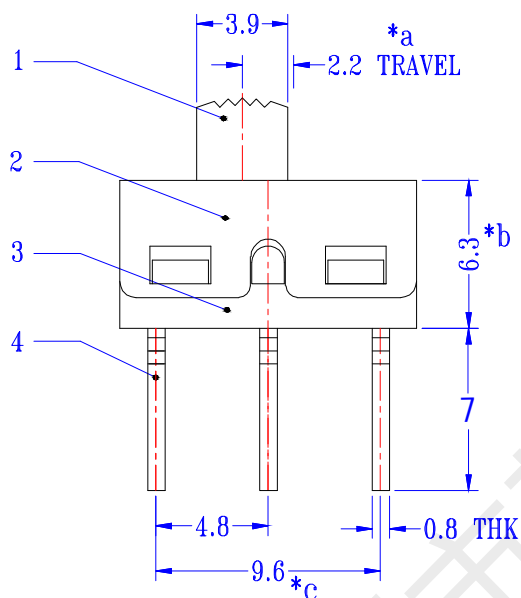
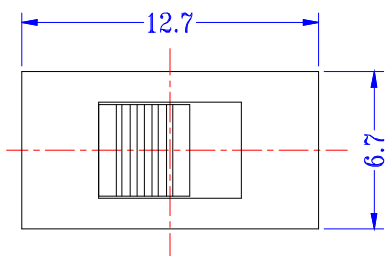
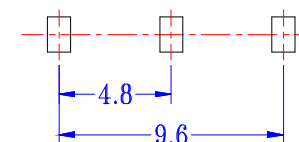


CAD FILE:



SCHEMATIC(NON-SHORTING)



P.C.B LAYOUT
BOTTOM VIEW

所有标注尺寸公差为: ±0.2mm

8					TOLERANCE					
7	PRESS BAR	NYLON+F.G+94V0(PA9T)	1	BLACK	UNLESS SPECIFIED					
6	SPRING	STEEL WIRE	1	NATURAL	WITHIN : ±0.2mm	A				
	CONTACT	COPPER STRIP	1	Ag PLATED	OVER : ±0.2mm	ISSUE	DATE	DESCRIPTIONS OF REVISION	APPD.	
4	TERMINAL	COPPER STRIP	3	Ag PLATED OVER Ni PLATED	TITLE : VERTICAL SLIDE SWITCH		UNIT : mm	DRWG NO.: HR-DR-SS12D10-00		
3	CASE	NYLON+F.G+94V0(PA9T)	1	BLACK	MODEL: HX SS-12D10G6		SCALE: 3 : 1	DWN.	黄彬	2020.6.24
2	COVER	SUS	1	NATURAL				CHK'D	张伟	2020.6.24
1	KNOB	NYLON+F.G+94V0(PA9T)	1	BLACK				APPD.	罗小春	2020.6.24
NO.	PARTS	MATERIALS	Q'TY	FINISH						