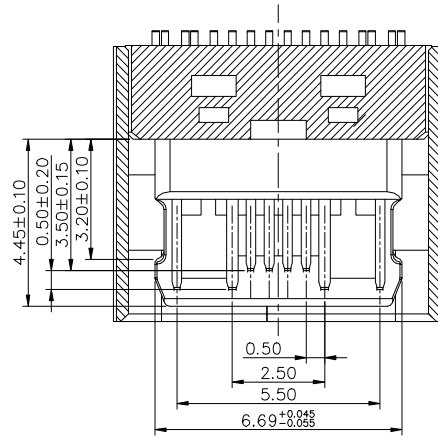
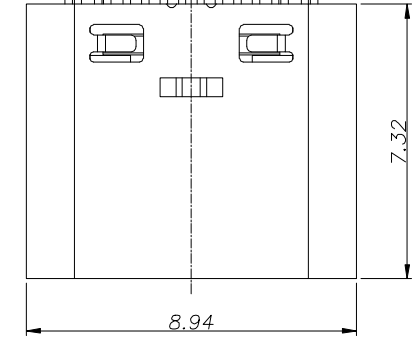
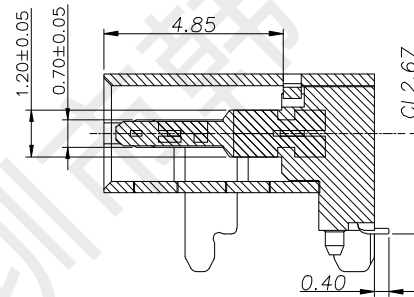
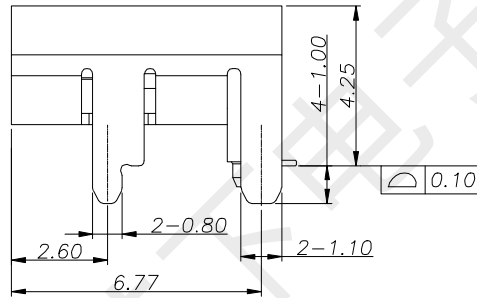
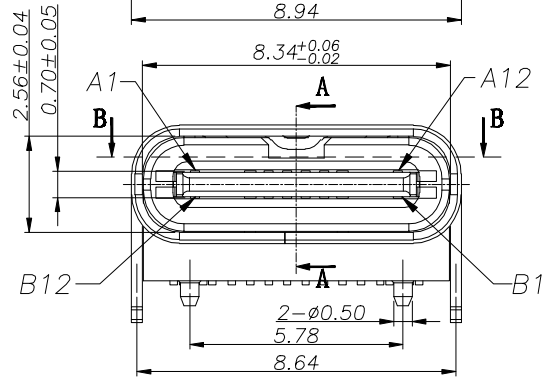


REV.	DESCRIPTION	NAME	DATE
A	NEW ISSUE		

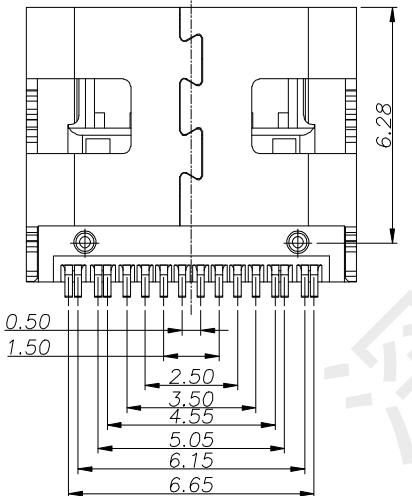
16-0.20±0.05
A1 B12 A4 B9 B8 A5 B7 A6 A7 B6 A8 B5 B4 A9 B1 A12



SECTION B-B
SCALE 1:1



SECTION A-A
SCALE 1:1



规格说明 Specifications:

1. 电气特性 Electrical:

额定电压(Rated voltage): 20V DC

额定电流(Rated current): 5A VBUS引脚;

1.25A用于GND引脚, 其他引脚为0.25A.

接触电阻(Contact resistance): 40mΩ Max

测试条件: 20mv, 100mA下测量.

绝缘电阻(Insulation resistance): 100MΩ Min

耐电压(Withstand Voltage): 100V AC

2. 机械性能 Mechanical:

插入力(Mate force): 0.5-2.0Kg

拔出力(Unmate force): 0.6-2.0Kg

插拔次数(Durability): 10000 Cycles.

3. 材料 Material:

胶芯(Housing): LCP UL94 V-0

端子(Contact): C2680, T=0.2mm; 镍底, 镀金

外壳(Shell): 不锈钢201-H 表面镀镍

4. 温度范围(Temperature Range): -30°C to +80°C.

TOLERANCE UNSPECIFIED

.0	±0.35
.00	±0.25
.000	±0.15
X*	±2.00*

CUSTOMER DRAWING



深圳市韩下电子有限公司

TITLE:

HX TYPE-C 16P+1.0

DRAWN DATE	黄彬 2020.6.17	SIZE:A4	UNIT:mm	PART. NO:	UCR06-5161X-20BR
CHECKED DATE	张伟 2020.6.17	SCALE:	1:1	PROJECTION	
APPROVED DATE	罗小春 2020.6.17	DWG PATH		C00-0000-0074	REV.: A PATH 1/3