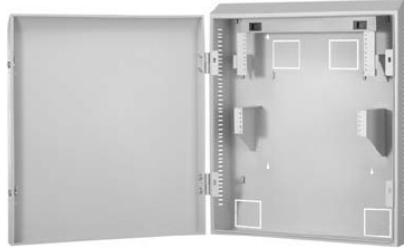


# PanZone™ Active Wall Mount Enclosure

## specifications

Active enclosure shall meet TIA/EIA consolidation point standard requirements. Enclosure shall be wall mountable with a rotating 3 RU patch panel bracket and holds up to 3 RU of active equipment. Conduit knockouts shall be included to route cables in and out of the enclosure. Front door shall provide a right hand or left hand swing feature.



### PanZone® Active Wall Mount Enclosure

**Enclosure:** PZAEWM3

### Optional Enclosure Components

**Air exchange fan:** PZAEFAN  
**Lock set with keys:** PZAELOCK

### PanZone® Solid UTP Patch Cords\*\*

**Cat 6A SD, plenum, plug-plug, blue:** UXPPBU\*

**Cat 6, plenum, plug-plug, blue:** UPPBU\*

### PanZone® Solid STP Patch Cords\*\*

**Cat 6A, plenum, plug-plug, blue:** SAPPBU\*

### Mini-Com® Ultimate ID™ Modular Patch Panels

**24-port, 1 RU:** UICMPP24BLY  
**48-port, 2 RU:** UICMPP48BLY

### Mini-Com® Modular Patch Panels with Labels

**24-port, 1 RU:** CPPL24WBLY  
**48-port, 1 RU:** CPPL48WBLY

### Mini-Com® Modules

**Category 6A:** CJ6X88TG^  
**Category 6:** CJ688TG^  
**Category 5e:** CJ5E88TG^  
**SC duplex (MM):** CMDEISCEI  
**SC simplex (SM):** CMDBUSCZBU  
**LC duplex (MM):** CMDJLCEI  
**LC simplex (SM):** CMDJLCZBU  
**ST simplex (MM):** CMSTEI  
**ST simplex (SM):** CMSTZBU

^ Substitute: IW = Off White

EI = Electric Ivory  
 WH = White  
 IG = International Gray  
 BL = Black  
 OR = Orange  
 RD = Red  
 BU = Blue  
 GR = Green  
 YL = Yellow  
 VL = Violet

\* Zone cords are available in 10 to 100 ft lengths in 5 ft increments. And 100 to 150 ft lengths in 10 ft increments.

\*\* Plug to Plug versions are listed. Jack to Plug and Jack to Jack options are also available

## technical information

<b>UL approvals:</b>	UL60950, including UL1863
<b>Other standards:</b>	Designed to meet NEMA Type 2 Designed to meet Telcordia GR-487-CORE tamper resistance
<b>Dimensions:</b>	38.50"H x 27.92"W x 8.61"D (977.9mm x 709.2mm x 218.7mm)
<b>Weight capacity:</b>	Total load capacity is 150 lbs.
<b>Mounting:</b>	Mounting brackets are included to mount 3 RU of passive components and 3 RU of active electronics up to 17.5" deep
<b>Packaging:</b>	Base, door, edge grommet, ten TAK-TY® Hook & Loop Cable Ties, grounding strap with nut/washer for #10-32 grounding stud, four cable management bend radius clips, ID label, door latch, two sets of door hinges with hardware
<b>Material:</b>	16 gauge steel

## key features and benefits

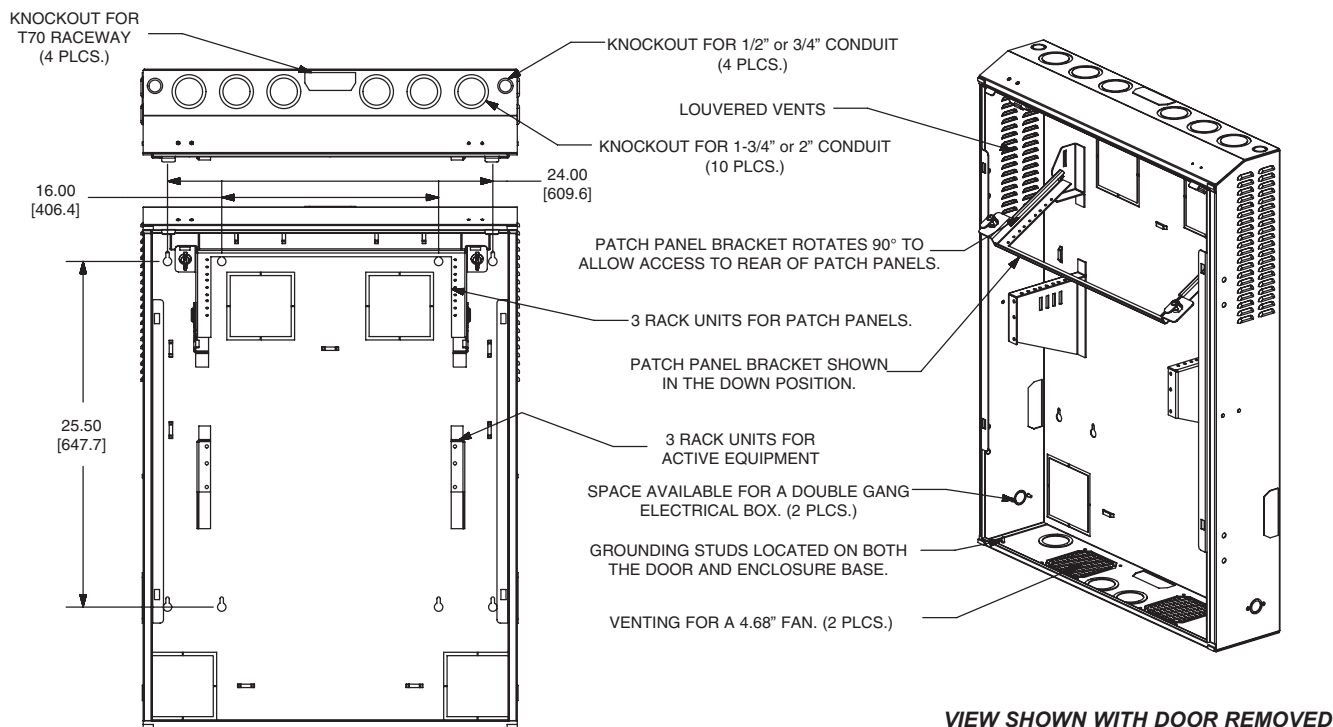
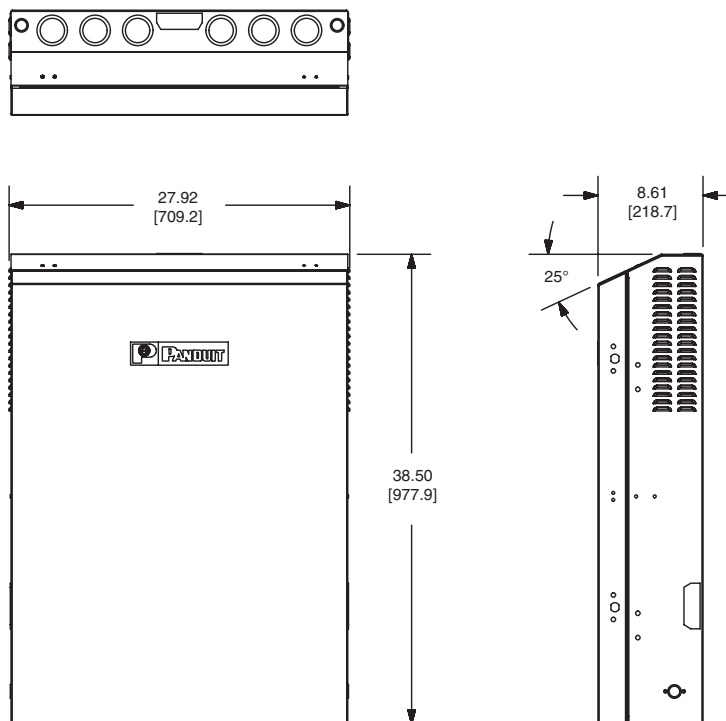
<b>Cable routing</b>	Provides optimum cable management while allowing adequate space to safely route the patch cords inside
<b>Rotating patch panel bracket</b>	Accepts 19" rack mountable product and rotates 90°, allowing ease of punchdown if the panel should be 110 style
<b>High capacity</b>	Holds up to 3 RU of passive product and up to 3 RU of active equipment, while providing multiple cable entry/exit points via optional knockout points
<b>Modularity</b>	Accepts Data-Patch™ Punchdown Panels, MINI-COM® Modular Patch Panels, and Mini-Com® Modules for copper and fiber applications; individual modules snap in and out
<b>T-70 raceway knockouts</b>	Four T-70 raceway knockouts are provided as an alternative method to bring cables into and out of the enclosure
<b>Reversible swing door</b>	Door can be assembled to hinge on either the right or left side which provides flexibility and easy access for any mounting location
<b>Keyed lock option</b>	Standard locking feature for the front cover is a hasp with a padlock slot; keyed locks are also available, but sold separately (PZAELOCK)
<b>Optional cooling fan</b>	Fan sold separately (PZAEFAN) for applications where additional cooling is required

## applications

PanZone™ Active Wall Mount Enclosures are designed to provide an efficient and cost effective way to deploy cabling systems in open office architecture environments. Referred to as Mini Telecommunication Rooms (Mini-TRs), PanZone™ Active Wall Mount Enclosures are ideal for minimal network connections (24-48) located more than 90 meters from the main telecommunications room.

This enclosure provides a compact, secure and economical solution for housing active electronics, with easy access to complete moves, adds and changes. It offers flexibility for new and existing building installations that need to be reconfigured or upgraded due to growth. The enclosure also takes into consideration power, cooling, and protection of the active equipment, plus additional cable management, dust and water protection.

# PanZone™ Active Wall Mount Enclosure



Dimensions are in inches (Dimensions in brackets are in millimeters)

## WORLDWIDE SUBSIDIARIES AND SALES OFFICES

PANDUIT CANADA  
Markham, Ontario  
cs-cdn@panduit.com  
Phone: 800.777.3300

PANDUIT EUROPE LTD.  
London, UK  
cs-emea@panduit.com  
Phone: 44.20.8601.7200

PANDUIT SINGAPORE PTE. LTD.  
Republic of Singapore  
cs-ap@panduit.com  
Phone: 65.6305.7575

PANDUIT JAPAN  
Tokyo, Japan  
cs-japan@panduit.com  
Phone: 81.3.6863.6000

PANDUIT LATIN AMERICA  
Guadalajara, Mexico  
cs-la@panduit.com  
Phone: 52.33.3777.6000

PANDUIT AUSTRALIA PTY. LTD.  
Victoria, Australia  
cs-aus@panduit.com  
Phone: 61.3.9794.9020

For a copy of Panduit product warranties, log on to [www.panduit.com/warranty](http://www.panduit.com/warranty)

For more information

Visit us at [www.panduit.com](http://www.panduit.com)

Contact Customer Service by email: [cs@panduit.com](mailto:cs@panduit.com)  
or by phone: 800.777.3300

©2016 Panduit Corp.  
ALL RIGHTS RESERVED.  
ZCSP27--WW-ENG  
Replaces WW-OTSP04  
12/20/16