

Toggle Switch

Solder Lug Terminals



Specifications:

Contact Rating	: 5 amps with resistant load at 120V ac or 28V dc 2 amps with resistant load at 250V ac 0.4 volt-amps (VA) maximum at 20V maximum (AC or DC).
Mechanical Life	: 40,000 make-and-break cycles.
Contact Resistance	: 10mΩ maximum initial at 2 to 4V dc. 100mA for both silver and gold plated contacts.
Minimum Insulation Resistance	: 1,000MΩ.
Dielectric Strength	: 1,000VRMS at sea level.
Operating Temperature	: -30°C to 85°C.

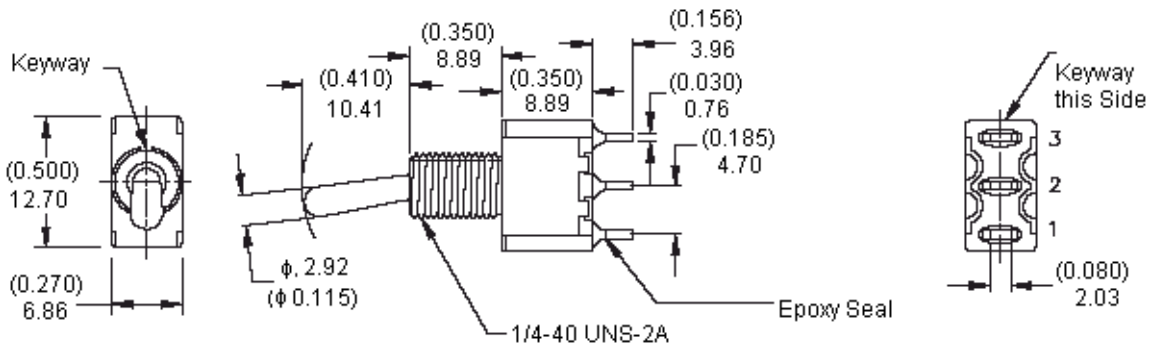
Materials:

Case	: Diallyl phthalate (DAP).
Actuator	: Brass, chrome plated.
Bushing	: Brass, nickel plated.
Housing	: Stainless steel.
Switch Support	: Brass or steel, tin plated.
Terminal/Contact	: Silver or gold plated.

Pole Option

M1QE

SPDT



Dimensions : Millimetres (Inches)



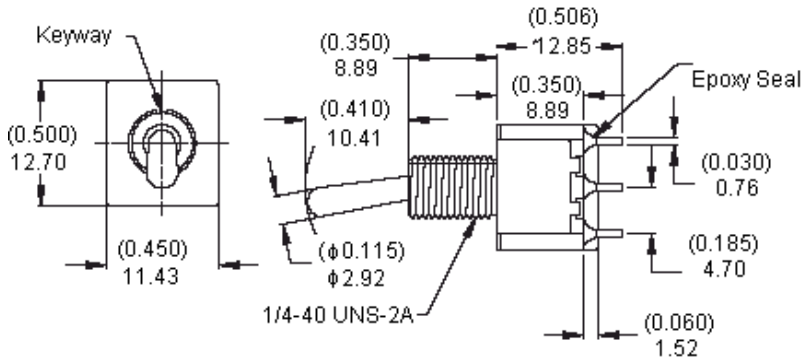
Toggle Switch

Solder Lug Terminals



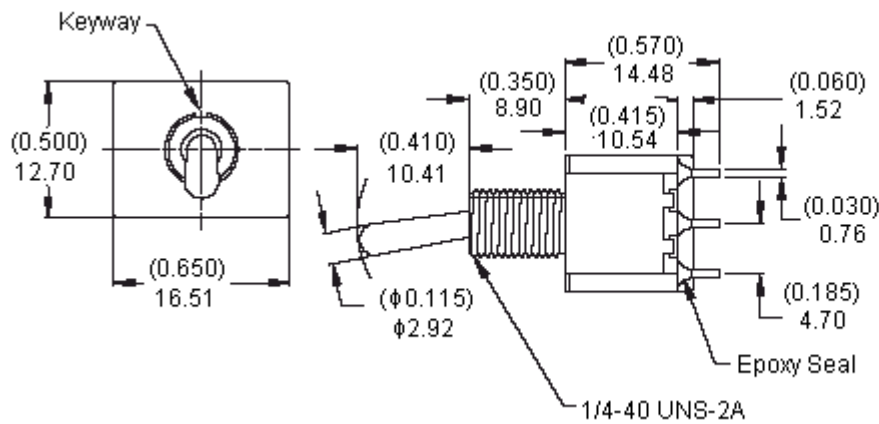
Pole Option

M1QE



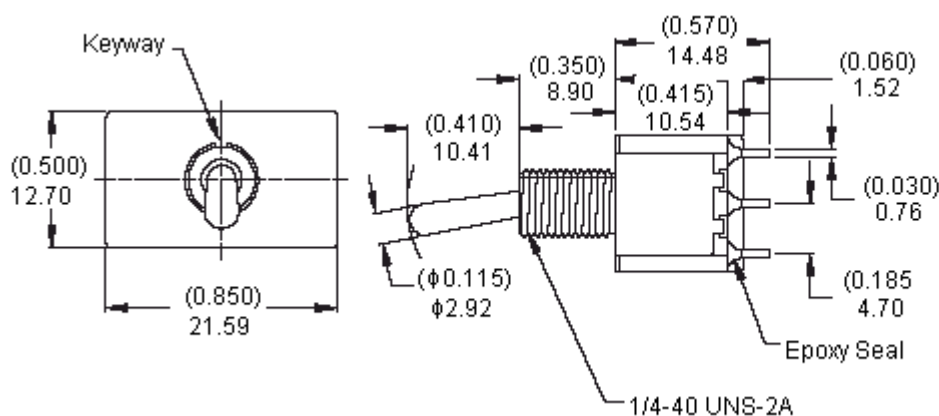
Dimensions : Millimetres (Inches)

3PDT



Dimensions : Millimetres (Inches)

4PDT



Dimensions : Millimetres (Inches)



Toggle Switch

Solder Lug Terminals



Soldering Process:

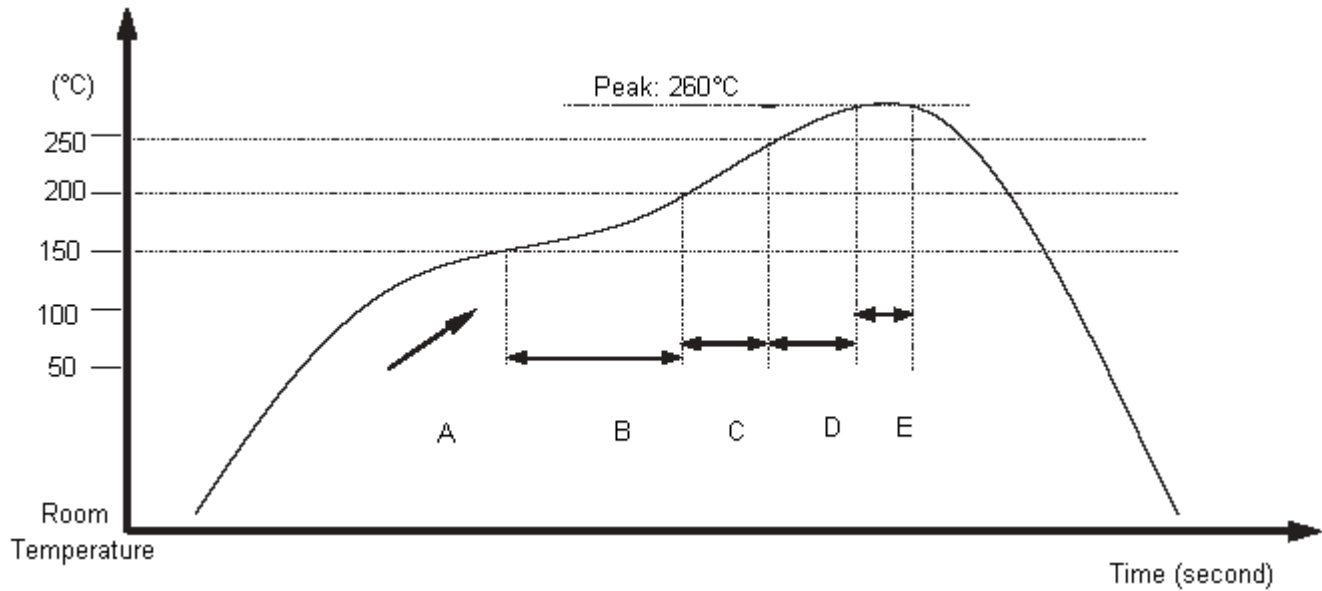
Manual soldering: Use soldering iron of 30 watts, controlled at 350°C approximately 5 seconds while applying solder.

Wave soldering:

Recommended soldering temperature : Recommended soldering temperature : 260 ±5°C.
Duration of solder immersion : 5 ±seconds (PCB is 1.6mm in thickness).

Soldering: Vapour phase.

Temperature Profile		
Zone	Room Temperature (°C)	Time (seconds)
Pre-heat (A)	150°C	Minimum 120
Soak (B)	180°C to 200°C	Minimum 150
Peak (C)	200°C to 235°C	Minimum 30
Peak (D)	235°C to 260°C	Minimum 40
Peak (E)	260°C	Maximum 10



Toggle Switch

Solder Lug Terminals



Specifications

Number of Poles	Switch Function			Connected Terminals/Schematic			Model Number
	Position 1	Position 2	Position 3	Position 1	Position 2	Position 3	
SP	On	None	Mom	2 - 3	N/A	2 - 1	1MS2
	Mom	Off	Mom	2 (Comm) 1 - 3	Open	2 (Comm) 1 - 3	1MS4
	On		Mom	1 - 3		1MS5	
DP	On	None	Mom	2 - 3, 5 - 6	N/A	2 - 1, 5 - 4	1MD2
	Mom	Off	Mom	2 (Comm) 1 - 3, 4 - 6	Open	2 (Comm) 1 - 3, 4 - 6	1MD4
	On		Mom	1 - 3, 4 - 6		1MD5	
	On	On	On	2 - 3, 5 - 6	2 - 3, 5 - 4	2 - 1, 5 - 4	1MD6
3P	On	None	Mom	2 - 3, 5 - 6, 8 - 9	N/A	2 - 1, 5 - 4, 8 - 7	1M32
	On	None	On				1M31
	Mom	Off	Mom	2 (Comm) 1 - 3, 4 - 6, 7 - 9	Open	2 (Comm) 1 - 3, 4 - 6, 7 - 9	1M34
	On		On				1M33
	On		Mom				1M35
4P	On	None	Mom	2 - 3, 5 - 6, 8 - 9, 11 - 12	N/A	2 - 1, 5 - 4, 8 - 7, 11 - 10	1M42
	On	None	On				1M41
	Mom	Off	Mom	5 (Comm) 1 - 3, 4 - 6, 7 - 9, 10 - 12	Open	5 (Comm) 1 - 3, 4 - 6, 7 - 9, 10 - 12	1M44
	On		On				1M43
	On		Mom				1M45
	On		On				On

Mom = Momentary

Part Number Table

Description	Part Number
Switch, Solder Tag, SPDT, On-Mom	1MS2T1B5M1QE
Switch, Solder Tag, SPDT, Mom-Off-Mom	1MS4T1B5M1QE
Switch, Solder Tag, SPDT, On-Off-Mom	1MS5T1B5M1QE
Switch, Solder Tag, DPDT, On-Mom	1MD2T1B5M1QE
Switch, Solder Tag, DPDT, Mom-Off-Mom	1MD4T1B5M1QE
Switch, Solder Tag, DPDT, On-Off-Mom	1MD5T1B5M1QE
Switch, Solder Tag, DPDT, On-On-On	1MD6T1B5M1QE



Toggle Switch

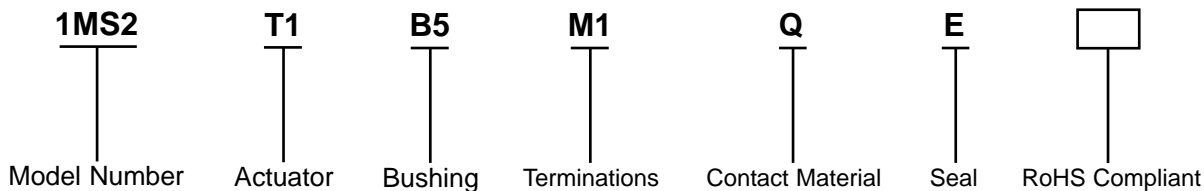
Solder Lug Terminals



Part Number Table

Description	Part Number
Switch, Solder Tag, 3PDT, On-Mom	1M32T1B5M1QE
Switch, Solder Tag, 3PDT, On-On	1M31T1B5M1QE
Switch, Solder Tag, 3PDT, Mom-Off-Mom	1M34T1B5M1QE
Switch, Solder Tag, 3PDT, On-Off-On	1M33T1B5M1QE
Switch, Solder Tag, 3PDT, On-Off-Mom	1M35T1B5M1QE
Switch, Solder Tag, 4PDT, On-Mom	1M42T1B5M1QE
Switch, Solder Tag, 4PDT, On-On	1M41T1B5M1QE
Switch, Solder Tag, 4PDT, Mom-Off-Mom	1M44T1B5M1QE
Switch, Solder Tag, 4PDT, On-Off-On	1M43T1B5M1QE
Switch, Solder Tag, 4PDT, On-Off-Mom	1M45T1B5M1QE
Switch, Solder Tag, 4PDT, On-On-On	1M46T1B5M1QE

Part Number Explanation:



- Model Number** : 1MS2 = SP On-Mom, 1MS4 = SP Mom-Off-Mom, 1MS5 = SP On-Off-Mom, 1MD2 = DP On-Mom, 1MD4 = DP Mom-Off-Mom, 1MD5 = DP On-Off-Mom, 1MD6 = DP On-On-On, 1M32 = 3P On-Mom, 1M31 = 3P On-On, 1M34 = 3P Mom-Off-Mom, 1M33 = 3P On-Off-On, 1M35 = 3P On-Off-Mom, 1M42 = 4P On-Mom, 1M41 = 4P On-On, 1M44 = 4P Mom-Off-Mom, 1M43 = 4P On-Off-On, 1M45 = 4P On-Off-Mom and 1M46 = 4P On-On-On.
- Actuator** : T1 = 10.41 High.
- Bushing** : B5 = 7.52 High, Flat (Torque).
- Terminations** : M1 = Solder Lug.
- Contact Material** : Q = Silver.
- Seal** : E = Epoxy (STD).















Toggle Switch

Solder Lug Terminals



Notes:

International Sales Offices:

	AUSTRALIA - Farnell Tel No: ++61 1300 361 005 Fax No: ++61 1300 361 225		FINLAND - Farnell Tel No: ++ 358 9 560 7780 Fax No: ++ 358 9 345 5411		ITALY - Farnell Tel No: ++ 39 02 93 995 200 Fax No: ++ 39 02 93 995 300		SPAIN - Farnell Tel No: 901 20 20 80 Fax No: 901 20 20 90
	AUSTRIA - Farnell Tel No: ++ 43 662 2180 680 Fax No: ++ 43 662 2180 670		FRANCE - Farnell Tel No: ++ 33 474 68 99 99 Fax No: ++ 33 474 68 99 90		MALAYSIA - Farnell-Newark Tel No: ++ 60 3 7873 8000 Fax No: ++ 60 3 7873 7000		SWEDEN - Farnell Tel No: ++ 46 8 730 50 00 Fax No: ++ 46 8 83 52 62
	BELGIUM - Farnell Tel No: ++ 32 3 475 2810 Fax No: ++ 32 3 227 3648		GERMANY - Farnell Tel No: ++ 49 89 61 39 39 39 Fax No: ++ 49 89 613 59 01		NETHERLANDS - Farnell Tel No: ++ 31 30 241 7373 Fax No: ++ 31 30 241 7333		SWITZERLAND - Farnell Tel No: ++ 44 204 64 64 Fax No: ++ 44 204 64 54
	BRAZIL - Farnell-Newark Tel No: ++ 55 11 4066 9400 Fax No: ++ 55 11 4066 9410		HONG KONG - Farnell-Newark Tel No: ++ 852 2268 9888 Fax No: ++ 852 2268 9899		NEW ZEALAND - Farnell Tel No: 0800 90 80 80 Fax No: 0800 90 80 81		UK - Farnell Tel No: ++ 44 8701 200 200 Fax No: ++ 44 8701 200 201
	CHINA - Farnell-Newark Tel No: ++86 10 6238 5152 Fax No: ++86 10 6238 5022		HUNGARY - Farnell Tel No: ++ 44 870 1200 208 Fax No: ++ 44 870 1200 209		NORWAY - Farnell Tel No: 800 146 70 Fax No: 800 146 76		UK - CPC ++ 44 8701 202 530 ++ 44 8701 202 531
	CZECH REPUBLIC - Farnell Tel No: ++ 44 870 1200 208 Fax No: ++ 44 870 1200 209		INDIA - Farnell Tel No: ++ 44 870 1200 208 Fax No: ++ 44 870 1200 209		PORTUGAL - Farnell Tel No: ++ 34 93 475 8804 Fax No: ++ 34 93 474 5288		USA - Newark Tel No: 800 463 9275
	DENMARK - Farnell Tel No: ++ 45 44 53 66 44 Fax No: ++ 45 44 53 66 06		IRELAND - Farnell Tel No: ++ 353 1 830 9277 Fax No: ++ 353 1 830 9016		RUSSIA - Farnell Tel No: ++ 44 870 1200 208 Fax No: ++ 44 870 1200 209		EXPORT - Farnell Tel No: ++ 44 8701 200 208 Fax No: ++ 44 8701 200 209 For enquiries from all other markets
	ESTONIA - Farnell Tel No: ++ 358 9 560 7780 Fax No: ++ 358 9 345 5411		ISRAEL - Farnell Tel No: ++ 180 937 0015 Fax No: ++ 180 937 0014		SINGAPORE - Farnell-Newark Tel No: ++ 65 6788 0200 Fax No: ++ 65 6788 0300	http://www.farnell.com http://www.newark.com http://www.cpc.co.uk	

Disclaimer This data sheet and its contents (the "Information") belong to the Premier Farnell Group (the "Group") or are licensed to it. No licence is granted for the use of it other than for information purposes in connection with the products to which it relates. No licence of any intellectual property rights is granted. The Information is subject to change without notice and replaces all data sheets previously supplied. The Information supplied is believed to be accurate but the Group assumes no responsibility for its accuracy or completeness, any error in or omission from it or for any use made of it. Users of this data sheet should check for themselves the Information and the suitability of the products for their purpose and not make any assumptions based on information included or omitted. Liability for loss or damage resulting from any reliance on the Information or use of it (including liability resulting from negligence or where the Group was aware of the possibility of such loss or damage arising) is excluded. This will not operate to limit or restrict the Group's liability for death or personal injury resulting from its negligence. SPC Multicomp is the registered trademark of the Group. © Premier Farnell plc 2008.

