

## MAX32672

# High-Reliability, Tiny, Ultra-Low-Power Arm Cortex-M4F Microcontroller with 12-Bit, 1Msps ADC

### General Description

In the DARWIN family, the MAX32672 is an ultra-low-power, cost-effective, highly integrated, and highly reliable 32-bit microcontroller enabling designs with complex sensor processing without compromising battery life. It combines a flexible and versatile power management unit with the powerful Arm® Cortex®-M4 processor with a floating-point unit (FPU). The MAX32672 also offers legacy designs an easy and cost-optimal upgrade path from 8- or 16-bit microcontrollers.

The device integrates 1MB of flash and 200KB of SRAM to accommodate application and sensor code. Error correction coding (ECC) is implemented on the entire flash, RAM, and cache to ensure extremely reliable code execution even in the harshest of environments. Brownout detection ensures proper operation during power-down and power-up events and unexpected supply transients. The flash is organized into two equal-size physical banks to allow execute-while-write and facilitate "live upgrades."

Multiple high-speed peripherals such as 3.4MHz I<sup>2</sup>C, 50MHz SPI, and UART are included to maximize communication bandwidth. In addition, a low-power UART (LPUART) is available for operation in the lowest power sleep modes to facilitate wake-up activity without any loss of data. A total of six timers with I/O capability are provided, including two low-power timers to enable pulse counting, capture/compare, and pulse-width modulation (PWM) generation, even in the lowest power sleep modes. An incremental/quadrature encoder interface with multiple diagnostics is included specifically for motor control applications. A 1Msps, 12-channel, 12-bit successive approximation register (SAR) ADC is integrated for the digitization of analog sensor signals or other analog measurements. Two low-power comparators, available in all low-power modes, allow energy-efficient monitoring and wake-up on external analog signals. An Elliptic Curve Digital Signature Algorithm (ECDSA)-based cryptographic secure bootloader is available in ROM. The device is available in a 5mm x 5mm, 40-pin TQFN-EP or 7mm x 7mm, 56-pin TQFN.

### Applications

- Motion/Motor Control, Industrial Sensors
- Optical Communication Modules, Secure Radio Modem Controller
- Battery-Powered Medical Devices

*Arm and Cortex are registered trademarks of Arm Limited (or its subsidiaries) in the US and/or elsewhere. CoreMark is a registered trademark of EEMBC.*

[Ordering Information](#) appears at end of data sheet.

19-101210; Rev 2; 5/23

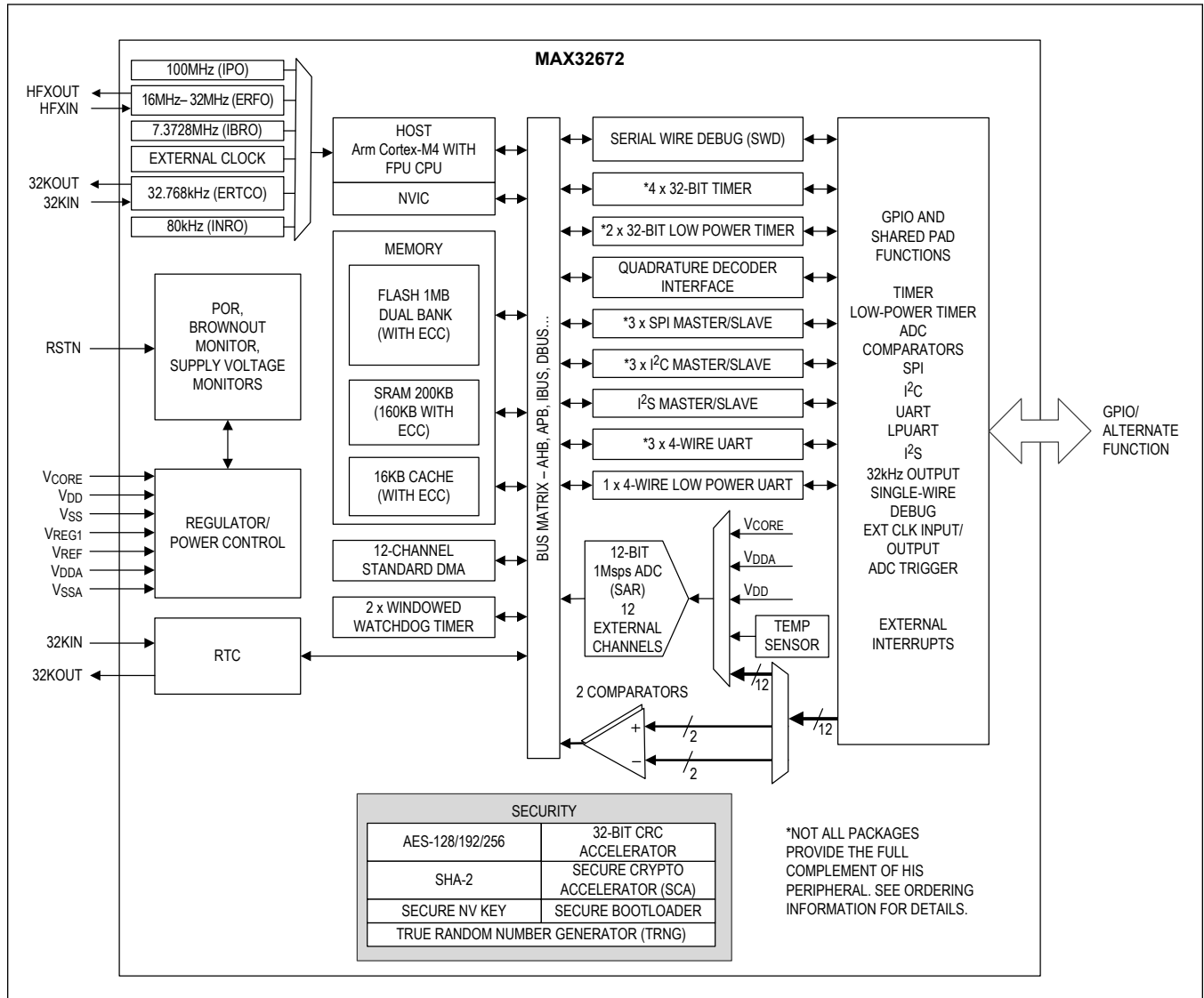
© 2023 Analog Devices, Inc. All rights reserved. Trademarks and registered trademarks are the property of their respective owners.

One Analog Way, Wilmington, MA 01887 U.S.A. | Tel: 781.329.4700 | © 2023 Analog Devices, Inc. All rights reserved.

### Benefits and Features

- High-Efficiency Microcontroller for Low-Power High-Reliability Devices
  - Arm Cortex-M4 Processor with FPU up to 100MHz
  - 1MB Dual-Bank Flash with Error Correction
  - 200KB SRAM (160KB with ECC Enabled), Optionally Preserved in Lowest Power Modes
  - EEPROM Emulation on Flash
  - 16KB Unified Cache with ECC
  - Resource Protection Unit (RPU) and Memory Protection Unit (MPU)
  - Dual- or Single-Supply Operation, 1.7V to 3.6V
  - Wide Operating Temperature: -40°C to +105°C
- Flexible Clocking Schemes
  - Internal High-Speed 100MHz Oscillator
  - Internal Low-Power 7.3728MHz and Ultra-Low-Power 80kHz Oscillators
  - 16MHz–32MHz Oscillator, 32.768kHz Oscillator (External Crystal Required)
  - External Clock Input for CPU, LPUART, LPTMR
- Power Management Maximizes Uptime for Battery Applications
  - 59.8µA/MHz ACTIVE at 0.9V up to 12MHz (CoreMark®)
  - 56.6µA/MHz ACTIVE at 1.1V up to 100MHz (While(1))
  - 3.09µA Full Memory Retention Power in BACKUP Mode at V<sub>DD</sub> = 1.8V
  - 350nA Ultra-Low-Power RTC at V<sub>DD</sub> = 1.8V
  - Wake from LPUART or LPTMR
- Optimal Peripheral Mix Provides Platform Scalability
  - Up to 42 General-Purpose I/O Pins
  - Up to Three SPI Master/Slave (up to 50Mbps)
  - Up to Three 4-Wire UART
  - Up to Three I<sup>2</sup>C Master/Slave 3.4Mbps High Speed
  - Up to Four 32-Bit Timers (TMR)
  - Up to Two Low-Power 32-Bit Timers (LPTMR)
  - One I<sup>2</sup>S Master/Slave for Digital Audio Interface
  - 12-Channel, 12-Bit, 1Msps SAR ADC with On-Die Temperature Sensor
- Security and Integrity
  - Optional ECDSA-Based Cryptographic Secure Bootloader in ROM
  - Secure Cryptographic Accelerator for Elliptic Curve
  - AES-128/192/256 Hardware Acceleration Engine

Simplified Block Diagram



**TABLE OF CONTENTS**

General Description . . . . .	1
Applications . . . . .	1
Benefits and Features . . . . .	1
Simplified Block Diagram . . . . .	2
Absolute Maximum Ratings . . . . .	8
Package Information . . . . .	8
40 TQFN-EP . . . . .	8
56 TQFN-EP . . . . .	8
Electrical Characteristics . . . . .	9
Electrical Characteristics—SPI . . . . .	36
Electrical Characteristics—I <sup>2</sup> C . . . . .	37
Electrical Characteristics—I <sup>2</sup> S Slave . . . . .	39
Electrical Characteristics—Quadrature Decoder . . . . .	40
Pin Configuration . . . . .	45
40 TQFN . . . . .	45
Pin Description . . . . .	45
Pin Configuration . . . . .	49
56 TQFN . . . . .	49
Pin Description . . . . .	50
Detailed Description . . . . .	55
Arm Cortex-M4 Processor with FPU Engine . . . . .	55
Memory . . . . .	55
Internal Flash Memory . . . . .	55
Internal SRAM . . . . .	55
Clocking Scheme . . . . .	55
General-Purpose I/O and Special Function Pins . . . . .	56
Standard DMA Controller . . . . .	57
Power Management . . . . .	57
Power Management Unit . . . . .	57
ACTIVE Mode . . . . .	57
SLEEP Mode . . . . .	57
DEEPSLEEP Mode . . . . .	57
BACKUP Mode . . . . .	58
STORAGE Mode . . . . .	58
Real-Time Clock (RTC) . . . . .	58
Windowed Watchdog Timer (WDT) . . . . .	59
32-Bit Timer/Counter/PWM (TMR, LPTMR) . . . . .	59
Serial Peripherals . . . . .	60
I <sup>2</sup> C Interface . . . . .	60

**TABLE OF CONTENTS (CONTINUED)**

Serial Peripheral Interface (SPI) .....	60
I <sup>2</sup> S Interface .....	61
UART .....	61
Quadrature Decoder .....	62
Analog-to-Digital Converter (ADC) .....	62
Security .....	62
AES .....	62
Secure Cryptographic Accelerator (SCA) .....	63
True Random Number Generator (TRNG) .....	63
CRC Module .....	63
SHA-2 .....	63
Software Integrity and Root of Trust .....	63
Root of Trust .....	63
Secure Communications Protocol Bootloader (SCPBL) .....	64
Secure Boot .....	64
Debug and Development Interface .....	64
Applications Information .....	65
Bypass Capacitor Recommendations .....	65
Bootloader Activation .....	65
Single Supply Operation .....	65
ACTIVE Mode .....	65
SLEEP Mode .....	66
ACTIVE Mode .....	67
SLEEP Mode .....	68
DEEPSLEEP Mode .....	69
BACKUP Mode .....	69
STORAGE Mode .....	69
Dual Supply Operation .....	69
ACTIVE Mode .....	70
ACTIVE Mode .....	70
SLEEP Mode .....	71
SLEEP Mode .....	71
ACTIVE Mode .....	72
ACTIVE Mode .....	72
SLEEP Mode .....	73
SLEEP Mode .....	73
DEEPSLEEP Mode .....	74
DEEPSLEEP Mode .....	74
BACKUP Mode .....	74

---

**TABLE OF CONTENTS (CONTINUED)**

---

BACKUP Mode .....	75
STORAGE Mode .....	77
STORAGE Mode .....	77
Ordering Information .....	78
Revision History .....	79

**LIST OF FIGURES**

---

Figure 1. Power Supply Operational Modes . . . . .	41
Figure 2. SPI Master Mode Timing Diagram . . . . .	42
Figure 3. SPI Slave Mode Timing Diagram . . . . .	42
Figure 4. I <sup>2</sup> C Timing Diagram . . . . .	43
Figure 5. I <sup>2</sup> S Timing Diagram . . . . .	43
Figure 6. Quadrature Decoder Timing Diagram . . . . .	44
Figure 7. Clocking Scheme . . . . .	56

**LIST OF TABLES**

Table 1. BACKUP Mode RAM Retention . . . . .	58
Table 2. MAX32672 Watchdog Timer Instances . . . . .	59
Table 3. MAX32672 Timer Instances . . . . .	59
Table 4. MAX32672 I <sup>2</sup> C Instances . . . . .	60
Table 5. MAX32672 SPI Instances . . . . .	61
Table 6. MAX32672 UART Instances . . . . .	62
Table 7. Common CRC Polynomials . . . . .	63
Table 8. Bootloader Activation Summary . . . . .	65
Table 9. Fixed V <sub>DD</sub> Current Consumption ACTIVE Mode, IPO, Single Supply . . . . .	65
Table 10. Fixed V <sub>DD</sub> Current Consumption SLEEP Mode, IPO, Single Supply . . . . .	66
Table 11. Fixed V <sub>DD</sub> Current Consumption ACTIVE Mode, IBRO, Single Supply . . . . .	67
Table 12. Fixed V <sub>DD</sub> Current Consumption SLEEP Mode, IBRO, Single Supply . . . . .	68
Table 13. Fixed V <sub>DD</sub> Current Consumption DEEPSLEEP Mode, Single Supply . . . . .	69
Table 14. Fixed V <sub>DD</sub> Current Consumption BACKUP Mode, Single Supply . . . . .	69
Table 15. Fixed V <sub>DD</sub> Current Consumption STORAGE Mode, Single Supply . . . . .	69
Table 16. Fixed V <sub>CORE</sub> Current Consumption ACTIVE Mode, IPO, Dual Supply . . . . .	70
Table 17. Fixed V <sub>DD</sub> Current Consumption ACTIVE Mode, IPO, Dual Supply . . . . .	70
Table 18. Fixed V <sub>CORE</sub> Current Consumption SLEEP Mode, IPO, Dual Supply . . . . .	71
Table 19. Fixed V <sub>DD</sub> Current Consumption SLEEP Mode, IPO, Dual Supply . . . . .	71
Table 20. Fixed V <sub>CORE</sub> Current Consumption ACTIVE Mode, IBRO, Dual Supply . . . . .	72
Table 21. Fixed V <sub>DD</sub> Current Consumption ACTIVE Mode, IBRO, Dual Supply . . . . .	72
Table 22. Fixed V <sub>CORE</sub> Current Consumption SLEEP Mode, IBRO, Dual Supply . . . . .	73
Table 23. Fixed V <sub>DD</sub> Current Consumption SLEEP Mode, IBRO, Dual Supply . . . . .	73
Table 24. Fixed V <sub>CORE</sub> Current Consumption DEEPSLEEP Mode, Dual Supply . . . . .	74
Table 25. Fixed V <sub>DD</sub> Current Consumption DEEPSLEEP Mode, Dual Supply . . . . .	74
Table 26. Fixed V <sub>CORE</sub> Current Consumption BACKUP Mode, Dual Supply . . . . .	74
Table 27. Fixed V <sub>DD</sub> Current Consumption BACKUP Mode, Dual Supply . . . . .	75
Table 28. Fixed V <sub>CORE</sub> Current Consumption STORAGE Mode, Dual Supply . . . . .	77
Table 29. Fixed V <sub>DD</sub> Current Consumption STORAGE Mode, Dual Supply . . . . .	77

## Absolute Maximum Ratings

V <sub>CORE</sub> , HFXIN, HFXOUT .....	-0.3V to +1.21V
V <sub>DD</sub> , V <sub>DDA</sub> .....	-0.3V to +3.63V
V <sub>REF</sub> .....	-0.3V to V <sub>DDA</sub> + 0.3V
32KIN, 32KOUT .....	-0.3V to V <sub>DD</sub> + 0.3V
RSTN, GPIO .....	-0.3V to V <sub>DD</sub> + 0.3V
Total Current into All GPIO Combined (sink) .....	100mA
V <sub>SS</sub> .....	100mA
Output Current (sink) by Any GPIO Pin .....	25mA
Output Current (source) by Any GPIO Pin .....	-25mA

Continuous Package Power Dissipation 40 TQFN-EP (multilayer board) T <sub>A</sub> = +70°C (derate 35.7mW/°C above +70°C) .....	2857.10mW
Continuous Package Power Dissipation 56 TQFN-EP (multilayer board) T <sub>A</sub> = +70°C (derate 40mW/°C above +70°C) .....	3200mW
Operating Temperature Range .....	-40°C to +105°C
Storage Temperature Range .....	-65°C to +125°C
Soldering Temperature (reflow) .....	+260°C

**Note:** No device pins can exceed 3.63V. All voltages with respect to V<sub>SS</sub>, unless otherwise noted.

Stresses beyond those listed under "Absolute Maximum Ratings" may cause permanent damage to the device. These are stress ratings only, and functional operation of the device at these or any other conditions beyond those indicated in the operational sections of the specifications is not implied. Exposure to absolute maximum rating conditions for extended periods may affect device reliability.

## Package Information

### 40 TQFN-EP

Package Code	T4055+1
Outline Number	<a href="#">21-0140</a>
Land Pattern Number	<a href="#">90-0016</a>
<b>Thermal Resistance, Single-Layer Board:</b>	
Junction to Ambient (θ <sub>JA</sub> )	45°C/W
Junction to Case (θ <sub>JC</sub> )	2°C/W
<b>Thermal Resistance, Four-Layer Board:</b>	
Junction to Ambient (θ <sub>JA</sub> )	28°C/W
Junction to Case (θ <sub>JC</sub> )	2°C/W

### 56 TQFN-EP

Package Code	T5677+1
Outline Number	<a href="#">21-0144</a>
Land Pattern Number	<a href="#">90-0042</a>
<b>Thermal Resistance, Single-Layer Board:</b>	
Junction to Ambient (θ <sub>JA</sub> )	36°C/W
Junction to Case (θ <sub>JC</sub> )	1°C/W
<b>Thermal Resistance, Four-Layer Board:</b>	
Junction to Ambient (θ <sub>JA</sub> )	25°C/W
Junction to Case (θ <sub>JC</sub> )	1°C/W

For the latest package outline information and land patterns (footprints), go to [www.maximintegrated.com/packages](http://www.maximintegrated.com/packages). Note that a "+", "#", or "-" in the package code indicates RoHS status only. Package drawings may show a different suffix character, but the drawing pertains to the package regardless of RoHS status.

Package thermal resistances were obtained using the method described in JEDEC specification JESD51-7, using a four-layer board. For detailed information on package thermal considerations, refer to [www.maximintegrated.com/thermal-tutorial](http://www.maximintegrated.com/thermal-tutorial).



**Electrical Characteristics**

(All specifications and characteristics apply across the entire operating conditions range unless otherwise noted.)

PARAMETER	SYMBOL	CONDITIONS	MIN	TYP	MAX	UNITS	
<b>POWER / BOTH SINGLE-SUPPLY OPERATION AND DUAL-SUPPLY OPERATION</b>							
Supply Voltage	$V_{DD}$		1.71	1.8	3.63	V	
Supply Voltage, Core	$V_{CORE}$	Dual-supply operation	OVR = [00]	0.855	0.9	0.945	V
			OVR = [01]	0.95	1.0	1.05	
			Default OVR = [10]	1.045	1.1	1.155	
		No power supply connection for single-supply operation		—			
Supply Voltage, Analog	$V_{DDA}$	$V_{DDA}$ must be connected to $V_{DD}$	1.71		3.63	V	
Power-Fail Reset Voltage	$V_{RST}$	Monitors $V_{DD}$	1.58		1.71	V	
		Monitors $V_{CORE}$ during dual-supply operation	0.74		0.845		
Power-On Reset Voltage	$V_{POR}$	Monitors $V_{DD}$		1.4		V	
		Monitors $V_{CORE}$ during dual-supply operation		0.6			

**Electrical Characteristics (continued)**

(All specifications and characteristics apply across the entire operating conditions range unless otherwise noted.)

PARAMETER	SYMBOL	CONDITIONS	MIN	TYP	MAX	UNITS
<b>POWER / SINGLE-SUPPLY OPERATION (V<sub>DD</sub> ONLY); f<sub>sys_osc</sub> = IPO</b>						
V <sub>DD</sub> Current ACTIVE Mode	I <sub>DD_DACTS</sub>	Dynamic, IPO enabled, total current into V <sub>DD</sub> pin, V <sub>DD</sub> = 3.3V, CPU in ACTIVE mode, executing CoreMark, ECC disabled, inputs tied to V <sub>SS</sub> or V <sub>DD</sub> , outputs source/sink 0mA	OVR = [10], internal regulator set to 1.1V, f <sub>sys_clk(MAX)</sub> = 100MHz		70	μA/MHz
			OVR = [01], internal regulator set to 1.0V, f <sub>sys_clk(MAX)</sub> = 50MHz		68.4	
			OVR = [00], internal regulator set to 0.9V, f <sub>sys_clk(MAX)</sub> = 12MHz		66.8	
		Dynamic, IPO enabled, total current into V <sub>DD</sub> pin, V <sub>DD</sub> = 1.8V, CPU in ACTIVE mode, executing CoreMark, ECC disabled, inputs tied to V <sub>SS</sub> or V <sub>DD</sub> , outputs source/sink 0mA	OVR = [10], internal regulator set to 1.1V, f <sub>sys_clk(MAX)</sub> = 100MHz		69.4	
			OVR = [01], internal regulator set to 1.0V, f <sub>sys_clk(MAX)</sub> = 50MHz		67.5	
			OVR = [00], internal regulator set to 0.9V, f <sub>sys_clk(MAX)</sub> = 12MHz		65.9	
		Dynamic, IPO enabled, total current into V <sub>DD</sub> pin, V <sub>DD</sub> = 3.3V, CPU in ACTIVE mode, executing While(1), ECC disabled, inputs tied to V <sub>SS</sub> or V <sub>DD</sub> , outputs source/sink 0mA	OVR = [10], internal regulator set to 1.1V, f <sub>sys_clk(MAX)</sub> = 100MHz		56.6	
			OVR = [01], internal regulator set to 1.0V, f <sub>sys_clk(MAX)</sub> = 50MHz		54.3	
			OVR = [00], internal regulator set to 0.9V, f <sub>sys_clk(MAX)</sub> = 12MHz		53.1	

**Electrical Characteristics (continued)**

(All specifications and characteristics apply across the entire operating conditions range unless otherwise noted.)

PARAMETER	SYMBOL	CONDITIONS	MIN	TYP	MAX	UNITS
		Dynamic, IPO enabled, total current into V <sub>DD</sub> pin, V <sub>DD</sub> = 1.8V, CPU in ACTIVE mode, executing While(1), ECC disabled, inputs tied to V <sub>SS</sub> or V <sub>DD</sub> , outputs source/sink 0mA	OVR = [10], internal regulator set to 1.1V, f <sub>SYS_CLK(MAX)</sub> = 100MHz		56	
			OVR = [01], internal regulator set to 1.0V, f <sub>SYS_CLK(MAX)</sub> = 50MHz		53.7	
			OVR = [00], internal regulator set to 0.9V, f <sub>SYS_CLK(MAX)</sub> = 12MHz		52.5	
	I <sub>DD_FACTS</sub>	Fixed, IPO enabled, total current into V <sub>DD</sub> pin, V <sub>DD</sub> = 3.3V, CPU in ACTIVE mode 0MHz execution, ECC disabled, inputs tied to V <sub>SS</sub> or V <sub>DD</sub> , outputs source/sink 0mA. See <a href="#">Table 9</a> for temperature variance.	OVR = [10], internal regulator set to 1.1V		893	
			OVR = [01], internal regulator set to 1.0V		732	
			OVR = [00], internal regulator set to 0.9V		618	
		Fixed, IPO enabled, total current into V <sub>DD</sub> pin, V <sub>DD</sub> = 1.8V, CPU in ACTIVE mode 0MHz execution, ECC disabled, inputs tied to V <sub>SS</sub> or V <sub>DD</sub> , outputs source/sink 0mA. See <a href="#">Table 9</a> for temperature variance.	OVR = [10], internal regulator set to 1.1V		865	μA
			OVR = [01], internal regulator set to 1.0V		708	
			OVR = [00], internal regulator set to 0.9V		594	

**Electrical Characteristics (continued)**

(All specifications and characteristics apply across the entire operating conditions range unless otherwise noted.)

PARAMETER	SYMBOL	CONDITIONS		MIN	TYP	MAX	UNITS
V <sub>DD</sub> Current SLEEP Mode	I <sub>DD_DSLPS</sub>	Dynamic, IPO enabled, total current into V <sub>DD</sub> pin, V <sub>DD</sub> = 3.3V, CPU in SLEEP mode, ECC disabled, standard DMA with two channels active, inputs tied to V <sub>SS</sub> or V <sub>DD</sub> , outputs source/sink 0mA	OVR = [10], internal regulator set to 1.1V, f <sub>SYS_CLK(MAX)</sub> = 100MHz		44.9		µA/MHz
			OVR = [01], internal regulator set to 1.0V, f <sub>SYS_CLK(MAX)</sub> = 50MHz		43.6		
			OVR = [00], internal regulator set to 0.9V, f <sub>SYS_CLK(MAX)</sub> = 12MHz		43.8		
		Dynamic, IPO enabled, total current into V <sub>DD</sub> pin, V <sub>DD</sub> = 1.8V, CPU in SLEEP mode, ECC disabled, standard DMA with two channels active, inputs tied to V <sub>SS</sub> or V <sub>DD</sub> , outputs source/sink 0mA	OVR = [10], internal regulator set to 1.1V, f <sub>SYS_CLK(MAX)</sub> = 100MHz		44.7		
			OVR = [01], internal regulator set to 1.0V, f <sub>SYS_CLK(MAX)</sub> = 50MHz		43.3		
			OVR = [00], internal regulator set to 0.9V, f <sub>SYS_CLK(MAX)</sub> = 12MHz		43.5		
		Dynamic, IPO enabled, total current into V <sub>DD</sub> pin, V <sub>DD</sub> = 3.3V, CPU in SLEEP mode, ECC disabled, DMA disabled, inputs tied to V <sub>SS</sub> or V <sub>DD</sub> , outputs source/sink 0mA	OVR = [10], internal regulator set to 1.1V, f <sub>SYS_CLK(MAX)</sub> = 100MHz		21.4		
			OVR = [01], internal regulator set to 1.0V, f <sub>SYS_CLK(MAX)</sub> = 50MHz		19.8		
			OVR = [00], internal regulator set to 0.9V, f <sub>SYS_CLK(MAX)</sub> = 12MHz		19.8		

**Electrical Characteristics (continued)**

(All specifications and characteristics apply across the entire operating conditions range unless otherwise noted.)

PARAMETER	SYMBOL	CONDITIONS	MIN	TYP	MAX	UNITS	
		Dynamic, IPO enabled, total current into V <sub>DD</sub> pin, V <sub>DD</sub> = 1.8V, CPU in SLEEP mode, ECC disabled, DMA disabled, inputs tied to V <sub>SS</sub> or V <sub>DD</sub> , outputs source/sink 0mA	OVR = [10], internal regulator set to 1.1V, f <sub>SYS_CLK(MAX)</sub> = 100MHz		21.4		
			OVR = [01], internal regulator set to 1.0V, f <sub>SYS_CLK(MAX)</sub> = 50MHz		19.8		
			OVR = [00], internal regulator set to 0.9V, f <sub>SYS_CLK(MAX)</sub> = 12MHz		19.7		
	I <sub>DD_FSLPS</sub>	Fixed, IPO enabled, total current into V <sub>DD</sub> pin, V <sub>DD</sub> = 3.3V, CPU in SLEEP mode, ECC disabled, inputs tied to V <sub>SS</sub> or V <sub>DD</sub> , outputs source/sink 0mA. See <a href="#">Table 10</a> for temperature variance.	OVR = [10], internal regulator set to 1.1V		893		μA
			OVR = [01], internal regulator set to 1.0V		732		
			OVR = [00], internal regulator set to 0.9V		618		
	Fixed, IPO enabled, total current into V <sub>DD</sub> pin, V <sub>DD</sub> = 1.8V, CPU in SLEEP mode, ECC disabled, inputs tied to V <sub>SS</sub> or V <sub>DD</sub> , outputs source/sink 0mA. See <a href="#">Table 10</a> for temperature variance.	OVR = [10], internal regulator set to 1.1V		865			
		OVR = [01], internal regulator set to 1.0V		708			
		OVR = [00], internal regulator set to 0.9V		594			

**Electrical Characteristics (continued)**

(All specifications and characteristics apply across the entire operating conditions range unless otherwise noted.)

PARAMETER	SYMBOL	CONDITIONS	MIN	TYP	MAX	UNITS
<b>POWER / SINGLE-SUPPLY OPERATION (V<sub>DD</sub> ONLY); f<sub>sys_osc</sub> = IBRO</b>						
V <sub>DD</sub> Current ACTIVE Mode	I <sub>DD_DACTS</sub>	Dynamic, IBRO enabled, total current into V <sub>DD</sub> pin, V <sub>DD</sub> = 3.3V, CPU in ACTIVE mode, executing CoreMark, ECC disabled, inputs tied to V <sub>SS</sub> or V <sub>DD</sub> , outputs source/sink 0mA	OVR = [10], internal regulator set to 1.1V, f <sub>sys_clk(MAX)</sub> = 7.3728MHz		70.8	μA/MHz
			OVR = [01], internal regulator set to 1.0V, f <sub>sys_clk(MAX)</sub> = 7.3728MHz		68.1	
			OVR = [00], internal regulator set to 0.9V, f <sub>sys_clk(MAX)</sub> = 7.3728MHz		64.2	
		Dynamic, IBRO enabled, total current into V <sub>DD</sub> pin, V <sub>DD</sub> = 1.8V, CPU in ACTIVE mode, executing CoreMark, ECC disabled, inputs tied to V <sub>SS</sub> or V <sub>DD</sub> , outputs source/sink 0mA	OVR = [10], internal regulator set to 1.1V, f <sub>sys_clk(MAX)</sub> = 7.3728MHz		70.1	
			OVR = [01], internal regulator set to 1.0V, f <sub>sys_clk(MAX)</sub> = 7.3728MHz		67.4	
			OVR = [00], internal regulator set to 0.9V, f <sub>sys_clk(MAX)</sub> = 7.3728MHz		63.4	
		Dynamic, IBRO enabled, total current into V <sub>DD</sub> pin, V <sub>DD</sub> = 3.3V, CPU in ACTIVE mode, executing While(1), ECC disabled, inputs tied to V <sub>SS</sub> or V <sub>DD</sub> , outputs source/sink 0mA	OVR = [10], internal regulator set to 1.1V, f <sub>sys_clk(MAX)</sub> = 7.3728MHz		56.5	
			OVR = [01], internal regulator set to 1.0V, f <sub>sys_clk(MAX)</sub> = 7.3728MHz		53.5	
			OVR = [00], internal regulator set to 0.9V, f <sub>sys_clk(MAX)</sub> = 7.3728MHz		50.1	

**Electrical Characteristics (continued)**

(All specifications and characteristics apply across the entire operating conditions range unless otherwise noted.)

PARAMETER	SYMBOL	CONDITIONS	MIN	TYP	MAX	UNITS	
		Dynamic, IBRO enabled, total current into V <sub>DD</sub> pin, V <sub>DD</sub> = 1.8V, CPU in ACTIVE mode, executing While(1), ECC disabled, inputs tied to V <sub>SS</sub> or V <sub>DD</sub> , outputs source/sink 0mA	OVR = [10], internal regulator set to 1.1V, f <sub>SYS_CLK(MAX)</sub> = 7.3728MHz		55.8		
			OVR = [01], internal regulator set to 1.0V, f <sub>SYS_CLK(MAX)</sub> = 7.3728MHz		52.8		
			OVR = [00], internal regulator set to 0.9V, f <sub>SYS_CLK(MAX)</sub> = 7.3728MHz		49.4		
	I <sub>DD_FACTS</sub>	Fixed, IBRO enabled, total current into V <sub>DD</sub> pin, V <sub>DD</sub> = 3.3V, CPU in ACTIVE mode 0MHz execution, ECC disabled, inputs tied to V <sub>SS</sub> or V <sub>DD</sub> , outputs source/sink 0mA. See <a href="#">Table 11</a> for temperature variance.	OVR = [10], internal regulator set to 1.1V		446		μA
			OVR = [01], internal regulator set to 1.0V		385		
			OVR = [00], internal regulator set to 0.9V		341		
			OVR = [10], internal regulator set to 1.1V		413		
			OVR = [01], internal regulator set to 1.0V		353		
			OVR = [00], internal regulator set to 0.9V		309		

**Electrical Characteristics (continued)**

(All specifications and characteristics apply across the entire operating conditions range unless otherwise noted.)

PARAMETER	SYMBOL	CONDITIONS	MIN	TYP	MAX	UNITS	
V <sub>DD</sub> Current SLEEP Mode	I <sub>DD_DSLPS</sub>	Dynamic, IBRO enabled, total current into V <sub>DD</sub> pin, V <sub>DD</sub> = 3.3V, CPU in SLEEP mode, ECC disabled, standard DMA with two channels active, inputs tied to V <sub>SS</sub> or V <sub>DD</sub> , outputs source/sink 0mA	OVR = [10], internal regulator set to 1.1V, f <sub>SYS_CLK(MAX)</sub> = 7.3728MHz		44		µA/MHz
			OVR = [01], internal regulator set to 1.0V, f <sub>SYS_CLK(MAX)</sub> = 7.3728MHz		42.6		
			OVR = [00], internal regulator set to 0.9V, f <sub>SYS_CLK(MAX)</sub> = 7.3728MHz		40.9		
		Dynamic, IBRO enabled, total current into V <sub>DD</sub> pin, V <sub>DD</sub> = 1.8V, CPU in SLEEP mode, ECC disabled, standard DMA with two channels active, inputs tied to V <sub>SS</sub> or V <sub>DD</sub> , outputs source/sink 0mA	OVR = [10], internal regulator set to 1.1V, f <sub>SYS_CLK(MAX)</sub> = 7.3728MHz		43.8		
			OVR = [01], internal regulator set to 1.0V, f <sub>SYS_CLK(MAX)</sub> = 7.3728MHz		42.4		
			OVR = [00], internal regulator set to 0.9V, f <sub>SYS_CLK(MAX)</sub> = 7.3728MHz		40.6		
		Dynamic, IBRO enabled, total current into V <sub>DD</sub> pin, V <sub>DD</sub> = 3.3V, CPU in SLEEP mode, ECC disabled, DMA disabled, inputs tied to V <sub>SS</sub> or V <sub>DD</sub> , outputs source/sink 0mA	OVR = [10], internal regulator set to 1.1V, f <sub>SYS_CLK(MAX)</sub> = 7.3728MHz		20.6		
			OVR = [01], internal regulator set to 1.0V, f <sub>SYS_CLK(MAX)</sub> = 7.3728MHz		19.1		
			OVR = [00], internal regulator set to 0.9V, f <sub>SYS_CLK(MAX)</sub> = 7.3728MHz		17.2		



**Electrical Characteristics (continued)**

(All specifications and characteristics apply across the entire operating conditions range unless otherwise noted.)

PARAMETER	SYMBOL	CONDITIONS	MIN	TYP	MAX	UNITS	
		Dynamic, IBRO enabled, total current into V <sub>DD</sub> pin, V <sub>DD</sub> = 1.8V, CPU in SLEEP mode, ECC disabled, DMA disabled, inputs tied to V <sub>SS</sub> or V <sub>DD</sub> , outputs source/sink 0mA	OVR = [10], internal regulator set to 1.1V, f <sub>SYS_CLK(MAX)</sub> = 7.3728MHz		20.6		
			OVR = [01], internal regulator set to 1.0V, f <sub>SYS_CLK(MAX)</sub> = 7.3728MHz		19.1		
			OVR = [00], internal regulator set to 0.9V, f <sub>SYS_CLK(MAX)</sub> = 7.3728MHz		17.1		
	I <sub>DD_FSLPS</sub>	Fixed, IBRO enabled, total current into V <sub>DD</sub> pin, V <sub>DD</sub> = 3.3V, CPU in SLEEP mode, ECC disabled, inputs tied to V <sub>SS</sub> or V <sub>DD</sub> , outputs source/sink 0mA. See <a href="#">Table 12</a> for temperature variance.	OVR = [10], internal regulator set to 1.1V		446		μA
			OVR = [01], internal regulator set to 1.0V		385		
			OVR = [00], internal regulator set to 0.9V		341		
			OVR = [10], internal regulator set to 1.1V		413		
			OVR = [01], internal regulator set to 1.0V		353		
			OVR = [00], internal regulator set to 0.9V		309		
<b>POWER / SINGLE-SUPPLY OPERATION (V<sub>DD</sub> ONLY)</b>							
V <sub>DD</sub> Fixed Current, DEEPSLEEP Mode	I <sub>DD_FDLSLS</sub>	Standby state with full data retention and 200KB SRAM retained. See <a href="#">Table 13</a> for temperature variance.	V <sub>DD</sub> = 3.3V		5.3	μA	
			V <sub>DD</sub> = 1.8V		5		

**Electrical Characteristics (continued)**

(All specifications and characteristics apply across the entire operating conditions range unless otherwise noted.)

PARAMETER	SYMBOL	CONDITIONS	MIN	TYP	MAX	UNITS
$V_{DD}$ Fixed Current, BACKUP Mode	$I_{DD\_FBKUS}$	$V_{DD} = 3.3V$ , RTC disabled. See <a href="#">Table 14</a> for temperature variance.	0KB SRAM retained, retention regulator disabled		0.35	$\mu A$
			20KB SRAM retained		1.14	
			40KB SRAM retained		1.56	
			120KB SRAM retained		2.69	
			200KB SRAM retained		3.78	
		$V_{DD} = 1.8V$ , RTC disabled. See <a href="#">Table 14</a> for temperature variance.	0KB SRAM retained, retention regulator disabled		0.08	
			20KB SRAM retained		0.86	
			40KB SRAM retained		1.3	
			120KB SRAM retained		2.4	
			200KB SRAM retained		3.5	
$V_{DD}$ Fixed Current, STORAGE Mode	$I_{DD\_FSTOS}$	See <a href="#">Table 15</a> for temperature variance.	$V_{DD} = 3.3V$		0.34	$\mu A$
			$V_{DD} = 1.8V$		0.083	
<b>POWER / SINGLE-SUPPLY OPERATION (<math>V_{DD}</math> ONLY) RESUME TIMES</b>						
SLEEP Mode Resume Time	$t_{SLP\_ONS}$	$f_{SYS\_OSC} = IPO$			0.1	$\mu s$
		$f_{SYS\_OSC} = IBRO$			1.1	
DEEPSLEEP Mode Resume Time	$t_{DSL\_ONS}$	$f_{SYS\_OSC} = IPO$	fast_wk_en = 1		74	$\mu s$
			fast_wk_en = 0		210	
		$f_{SYS\_OSC} = IBRO$	fast_wk_en = 1		182	$\mu s$
			fast_wk_en = 0		319	
BACKUP Mode Resume Time	$t_{BKU\_ONS}$	Time from power mode exit to execution of application code	Parts without SCPBL		1.08	ms
			Parts with SCPBL performing signature verification over 512KB of flash		264	
STORAGE Mode Resume Time	$t_{STO\_ONS}$	Time from power mode exit to execution of application code	Parts without SCPBL		1.08	ms
			Parts with SCPBL performing signature verification over 512KB of flash		264	

**Electrical Characteristics (continued)**

(All specifications and characteristics apply across the entire operating conditions range unless otherwise noted.)

PARAMETER	SYMBOL	CONDITIONS		MIN	TYP	MAX	UNITS
Cold Boot Startup Time	$t_{CB\_STS}$	Time from $V_{DD} = V_{DD(MIN)}$ to execution of application code	Parts without SCPBL		1.08		ms
			Parts with SCPBL performing signature verification over 512KB of flash			264	
<b>POWER / DUAL-SUPPLY OPERATION (<math>V_{DD}</math> AND <math>V_{CORE}</math>): <math>f_{SYS\_OSC} = IPO</math></b>							
$V_{CORE}$ Current, ACTIVE Mode	$I_{CORE\_DACTD}$	Dynamic, IPO enabled, total current into $V_{CORE}$ pin, CPU in ACTIVE mode, executing CoreMark, ECC disabled, inputs tied to $V_{SS}$ or $V_{DD}$ , outputs source/sink 0mA	OVR = [10], $V_{CORE} = 1.1V$ , $f_{SYS\_CLK(MAX)} = 100MHz$		69		$\mu A/MHz$
			OVR = [01], $V_{CORE} = 1.0V$ , $f_{SYS\_CLK(MAX)} = 50MHz$		67		
			OVR = [00], $V_{CORE} = 0.9V$ , $f_{SYS\_CLK(MAX)} = 12MHz$		59.8		
		Dynamic, IPO enabled, total current into $V_{CORE}$ pin, CPU in ACTIVE mode, executing While(1), ECC disabled, inputs tied to $V_{SS}$ or $V_{DD}$ , outputs source/sink 0mA	OVR = [10], $V_{CORE} = 1.1V$ , $f_{SYS\_CLK(MAX)} = 100MHz$		55.5		
			OVR = [01], $V_{CORE} = 1.0V$ , $f_{SYS\_CLK(MAX)} = 50MHz$		53		
			OVR = [00], $V_{CORE} = 0.9V$ , $f_{SYS\_CLK(MAX)} = 12MHz$		47.4		
$I_{CORE\_FACTD}$	Fixed, IPO enabled, total current into $V_{CORE}$ pin, CPU in ACTIVE mode 0MHz execution, ECC disabled, inputs tied to $V_{SS}$ or $V_{DD}$ , outputs source/sink 0mA. See <a href="#">Table 16</a> for temperature variance.	OVR = [10], $V_{CORE} = 1.1V$		417		$\mu A$	
		OVR = [01], $V_{CORE} = 1.0V$		261			
		OVR = [00], $V_{CORE} = 0.9V$		137			

**Electrical Characteristics (continued)**

(All specifications and characteristics apply across the entire operating conditions range unless otherwise noted.)

PARAMETER	SYMBOL	CONDITIONS	MIN	TYP	MAX	UNITS		
V <sub>DD</sub> Current, ACTIVE Mode	I <sub>DD_DACTD</sub>	Dynamic, IPO enabled, total current into V <sub>DD</sub> pin, V <sub>DD</sub> = 3.3V, CPU in ACTIVE mode, executing CoreMark, ECC disabled, inputs tied to V <sub>SS</sub> or V <sub>DD</sub> , outputs source/sink 0mA	OVR = [10], f <sub>SYS_CLK(MAX)</sub> = 100MHz		0.67		μA/MHz	
			OVR = [01], f <sub>SYS_CLK(MAX)</sub> = 50MHz		0.67			
			OVR = [00], f <sub>SYS_CLK(MAX)</sub> = 12MHz		0.67			
		Dynamic, IPO enabled, total current into V <sub>DD</sub> pin, V <sub>DD</sub> = 1.8V, CPU in ACTIVE mode, executing CoreMark, ECC disabled, inputs tied to V <sub>SS</sub> or V <sub>DD</sub> , outputs source/sink 0mA	OVR = [10], f <sub>SYS_CLK(MAX)</sub> = 100MHz		0.30			
			OVR = [01], f <sub>SYS_CLK(MAX)</sub> = 50MHz		0.30			
			OVR = [00], f <sub>SYS_CLK(MAX)</sub> = 12MHz		0.30			
		Dynamic, IPO enabled, total current into V <sub>DD</sub> pin, V <sub>DD</sub> = 3.3V, CPU in ACTIVE mode, executing While(1), ECC disabled, inputs tied to V <sub>SS</sub> or V <sub>DD</sub> , outputs source/sink 0mA	OVR = [10], f <sub>SYS_CLK(MAX)</sub> = 100MHz			0.67		
			OVR = [01], f <sub>SYS_CLK(MAX)</sub> = 50MHz			0.67		
			OVR = [00], f <sub>SYS_CLK(MAX)</sub> = 12MHz			0.67		
		Dynamic, IPO enabled, total current into V <sub>DD</sub> pin, V <sub>DD</sub> = 1.8V, CPU in ACTIVE mode, executing While(1), ECC disabled, inputs tied to V <sub>SS</sub> or V <sub>DD</sub> , outputs source/sink 0mA	OVR = [10], f <sub>SYS_CLK(MAX)</sub> = 100MHz			0.30		
			OVR = [01], f <sub>SYS_CLK(MAX)</sub> = 50MHz			0.30		
			OVR = [00], f <sub>SYS_CLK(MAX)</sub> = 12MHz			0.30		

**Electrical Characteristics (continued)**

(All specifications and characteristics apply across the entire operating conditions range unless otherwise noted.)

PARAMETER	SYMBOL	CONDITIONS	MIN	TYP	MAX	UNITS
	I <sub>DD_FACTD</sub>	Fixed, IPO enabled, total current into V <sub>DD</sub> pin, V <sub>DD</sub> = 3.3V, CPU in ACTIVE mode 0MHz execution, ECC disabled, inputs tied to V <sub>SS</sub> or V <sub>DD</sub> , outputs source/sink 0mA. See <a href="#">Table 17</a> for temperature variance.	OVR = [10], V <sub>CORE</sub> = 1.1V		430	μA
			OVR = [01], V <sub>CORE</sub> = 1.0V		430	
			OVR = [00], V <sub>CORE</sub> = 0.9V		430	
		Fixed, IPO enabled, total current into V <sub>DD</sub> pin, V <sub>DD</sub> = 1.8V, CPU in ACTIVE mode 0MHz execution, ECC disabled, inputs tied to V <sub>SS</sub> or V <sub>DD</sub> , outputs source/sink 0mA. See <a href="#">Table 17</a> for temperature variance.	OVR = [10], V <sub>CORE</sub> = 1.1V		410	
			OVR = [01], V <sub>CORE</sub> = 1.0V		410	
			OVR = [00], V <sub>CORE</sub> = 0.9V		410	

**Electrical Characteristics (continued)**

(All specifications and characteristics apply across the entire operating conditions range unless otherwise noted.)

PARAMETER	SYMBOL	CONDITIONS	MIN	TYP	MAX	UNITS
V <sub>CORE</sub> Current, SLEEP Mode	I <sub>CORE_DSLPD</sub>	Dynamic, IPO enabled, total current into V <sub>CORE</sub> pin, CPU in SLEEP mode, ECC disabled, standard DMA with two channels active, inputs tied to V <sub>SS</sub> or V <sub>DD</sub> , outputs source/sink 0mA	OVR = [10], V <sub>CORE</sub> = 1.1V, f <sub>SYS_CLK(MAX)</sub> = 100MHz		44.5	μA/MHz
			OVR = [01], V <sub>CORE</sub> = 1.0V, f <sub>SYS_CLK(MAX)</sub> = 50MHz		42.9	
			OVR = [00], V <sub>CORE</sub> = 0.9V, f <sub>SYS_CLK(MAX)</sub> = 12MHz		39.2	
		OVR = [10], V <sub>CORE</sub> = 1.1V, f <sub>SYS_CLK(MAX)</sub> = 100MHz		21.1		
		OVR = [01], V <sub>CORE</sub> = 1.0V, f <sub>SYS_CLK(MAX)</sub> = 50MHz		19.3		
		OVR = [00], V <sub>CORE</sub> = 0.9V, f <sub>SYS_CLK(MAX)</sub> = 12MHz		16.5		
	I <sub>CORE_FSLPD</sub>	Fixed, IPO enabled, total current into V <sub>CORE</sub> pin, CPU in SLEEP mode, ECC disabled, inputs tied to V <sub>SS</sub> or V <sub>DD</sub> , outputs source/sink 0mA. See <a href="#">Table 18</a> for temperature variance.	OVR [10], V <sub>CORE</sub> = 1.1V		417	μA
			OVR [01], V <sub>CORE</sub> = 1.0V		261	
			OVR [00], V <sub>CORE</sub> = 0.9V		137	

**Electrical Characteristics (continued)**

(All specifications and characteristics apply across the entire operating conditions range unless otherwise noted.)

PARAMETER	SYMBOL	CONDITIONS	MIN	TYP	MAX	UNITS
V <sub>DD</sub> Current, SLEEP Mode	I <sub>DD_DSLPD</sub>	Dynamic, IPO enabled, total current into V <sub>DD</sub> pin, V <sub>DD</sub> = 3.3V, CPU in SLEEP mode, ECC disabled, standard DMA with two channels active, inputs tied to V <sub>SS</sub> or V <sub>DD</sub> , outputs source/sink 0mA	OVR = [10], V <sub>CORE</sub> = 1.1V, f <sub>SYS_CLK(MAX)</sub> = 100MHz		0.002	μA/MHz
			OVR = [01], V <sub>CORE</sub> = 1.0V, f <sub>SYS_CLK(MAX)</sub> = 50MHz		0.002	
			OVR = [00], V <sub>CORE</sub> = 0.9V, f <sub>SYS_CLK(MAX)</sub> = 12MHz		0.002	
		Dynamic, IPO enabled, total current into V <sub>DD</sub> pin, V <sub>DD</sub> = 1.8V, CPU in SLEEP mode, ECC disabled, standard DMA with two channels active, inputs tied to V <sub>SS</sub> or V <sub>DD</sub> , outputs source/sink 0mA	OVR = [10], V <sub>CORE</sub> = 1.1V, f <sub>SYS_CLK(MAX)</sub> = 100MHz		0.001	
			OVR = [01], V <sub>CORE</sub> = 1.0V, f <sub>SYS_CLK(MAX)</sub> = 50MHz		0.001	
			OVR = [00], V <sub>CORE</sub> = 0.9V, f <sub>SYS_CLK(MAX)</sub> = 12MHz		0.001	
	I <sub>DD_FSLPD</sub>	Fixed, IPO enabled, total current into V <sub>DD</sub> pin, V <sub>DD</sub> = 3.3V, CPU in SLEEP mode, ECC disabled, inputs tied to V <sub>SS</sub> or V <sub>DD</sub> , outputs source/sink 0mA. See <a href="#">Table 19</a> for temperature variance.	OVR = [10], V <sub>CORE</sub> = 1.1V		430	μA
			OVR = [01], V <sub>CORE</sub> = 1.0V		430	
			OVR = [00], V <sub>CORE</sub> = 0.9V		430	
		Fixed, IPO enabled, total current into V <sub>DD</sub> pin, V <sub>DD</sub> = 1.8V, CPU in SLEEP mode, ECC disabled, inputs tied to V <sub>SS</sub> or V <sub>DD</sub> , outputs source/sink 0mA. See <a href="#">Table 19</a> for temperature variance.	OVR = [10], V <sub>CORE</sub> = 1.1V		410	
			OVR = [01], V <sub>CORE</sub> = 1.0V		410	
			OVR = [00], V <sub>CORE</sub> = 0.9V		410	

**Electrical Characteristics (continued)**

(All specifications and characteristics apply across the entire operating conditions range unless otherwise noted.)

PARAMETER	SYMBOL	CONDITIONS	MIN	TYP	MAX	UNITS
<b>POWER / DUAL-SUPPLY OPERATION (V<sub>DD</sub> AND V<sub>CORE</sub>); f<sub>SYS_OSC</sub> = IBRO</b>						
V <sub>CORE</sub> Current, ACTIVE Mode	I <sub>CORE_DACTD</sub>	Dynamic, IBRO enabled, total current into V <sub>CORE</sub> pin, CPU in ACTIVE mode, executing CoreMark, ECC disabled, inputs tied to V <sub>SS</sub> or V <sub>DD</sub> , outputs source/sink 0mA	OVR = [10], V <sub>CORE</sub> = 1.1V, f <sub>SYS_CLK(MAX)</sub> = 7.3728MHz		70.4	μA/MHz
			OVR = [01], V <sub>CORE</sub> = 1.0V, f <sub>SYS_CLK(MAX)</sub> = 7.3728MHz		67	
			OVR = [00], V <sub>CORE</sub> = 0.9V, f <sub>SYS_CLK(MAX)</sub> = 7.3728MHz		60	
		Dynamic, IBRO enabled, total current into V <sub>CORE</sub> pin, CPU in ACTIVE mode, executing While(1), ECC disabled, inputs tied to V <sub>SS</sub> or V <sub>DD</sub> , outputs source/sink 0mA	OVR = [10], V <sub>CORE</sub> = 1.1V, f <sub>SYS_CLK(MAX)</sub> = 7.3728MHz		55.9	
			OVR = [01], V <sub>CORE</sub> = 1.0V, f <sub>SYS_CLK(MAX)</sub> = 7.3728MHz		52.9	
			OVR = [00], V <sub>CORE</sub> = 0.9V, f <sub>SYS_CLK(MAX)</sub> = 7.3728MHz		46.9	
	I <sub>CORE_FACTD</sub>	Fixed, IBRO enabled, total current into V <sub>CORE</sub> pin, CPU in ACTIVE mode 0MHz execution, ECC disabled, inputs tied to V <sub>SS</sub> or V <sub>DD</sub> , outputs source/sink 0mA. See <a href="#">Table 20</a> for temperature variance.	OVR = [10], V <sub>CORE</sub> = 1.1V		238	μA
			OVR = [01], V <sub>CORE</sub> = 1.0V		179	
			OVR = [00], V <sub>CORE</sub> = 0.9V		122	



**Electrical Characteristics (continued)**

(All specifications and characteristics apply across the entire operating conditions range unless otherwise noted.)

PARAMETER	SYMBOL	CONDITIONS	MIN	TYP	MAX	UNITS		
V <sub>DD</sub> Current, ACTIVE Mode	I <sub>DD_DACTD</sub>	Dynamic, IBRO enabled, total current into V <sub>DD</sub> pin, V <sub>DD</sub> = 3.3V, CPU in ACTIVE mode, executing CoreMark, ECC disabled, inputs tied to V <sub>SS</sub> or V <sub>DD</sub> , outputs source/sink 0mA	OVR = [10], f <sub>SYS_CLK(MAX)</sub> = 7.3728MHz		0.05		μA/MHz	
			OVR = [01], f <sub>SYS_CLK(MAX)</sub> = 7.3728MHz		0.01			
			OVR = [00], f <sub>SYS_CLK(MAX)</sub> = 7.3728MHz		0.42			
		Dynamic, IBRO enabled, total current into V <sub>DD</sub> pin, V <sub>DD</sub> = 1.8V, CPU in ACTIVE mode, executing CoreMark, ECC disabled, inputs tied to V <sub>SS</sub> or V <sub>DD</sub> , outputs source/sink 0mA	OVR = [10], f <sub>SYS_CLK(MAX)</sub> = 7.3728MHz		0.022			
			OVR = [01], f <sub>SYS_CLK(MAX)</sub> = 7.3728MHz		0.045			
			OVR = [00], f <sub>SYS_CLK(MAX)</sub> = 7.3728MHz		0.18			
		Dynamic, IBRO enabled, total current into V <sub>DD</sub> pin, V <sub>DD</sub> = 3.3V, CPU in ACTIVE mode, executing While(1), ECC disabled, inputs tied to V <sub>SS</sub> or V <sub>DD</sub> , outputs source/sink 0mA	OVR = [10], f <sub>SYS_CLK(MAX)</sub> = 7.3728MHz		0.05			
			OVR = [01], f <sub>SYS_CLK(MAX)</sub> = 7.3728MHz		0.1			
			OVR = [00], f <sub>SYS_CLK(MAX)</sub> = 7.3728MHz		0.42			
		Dynamic, IBRO enabled, total current into V <sub>DD</sub> pin, V <sub>DD</sub> = 1.8V, CPU in ACTIVE mode, executing While(1), ECC disabled, inputs tied to V <sub>SS</sub> or V <sub>DD</sub> , outputs source/sink 0mA	OVR = [10], f <sub>SYS_CLK(MAX)</sub> = 7.3728MHz		0.02			
			OVR = [01], f <sub>SYS_CLK(MAX)</sub> = 7.3728MHz		0.04			
			OVR = [00], f <sub>SYS_CLK(MAX)</sub> = 7.3728MHz		0.18			

**Electrical Characteristics (continued)**

(All specifications and characteristics apply across the entire operating conditions range unless otherwise noted.)

PARAMETER	SYMBOL	CONDITIONS	MIN	TYP	MAX	UNITS
	I <sub>DD_FACTD</sub>	Fixed, IBRO enabled, total current into V <sub>DD</sub> pin, V <sub>DD</sub> = 3.3V, CPU in ACTIVE mode 0MHz execution, ECC disabled, inputs tied to V <sub>SS</sub> or V <sub>DD</sub> , outputs source/sink 0mA. See <a href="#">Table 21</a> for temperature variance.	OVR = [10], V <sub>CORE</sub> = 1.1V		165	μA
			OVR = [01], V <sub>CORE</sub> = 1.0V		165	
			OVR = [00], V <sub>CORE</sub> = 0.9V		165	
		Fixed, IBRO enabled, total current into V <sub>DD</sub> pin, V <sub>DD</sub> = 1.8V, CPU in ACTIVE mode 0MHz execution, ECC disabled, inputs tied to V <sub>SS</sub> or V <sub>DD</sub> , outputs source/sink 0mA. See <a href="#">Table 21</a> for temperature variance.	OVR = [10], V <sub>CORE</sub> = 1.1V		136	
			OVR = [01], V <sub>CORE</sub> = 1.0V		136	
			OVR = [00], V <sub>CORE</sub> = 0.9V		136	

**Electrical Characteristics (continued)**

(All specifications and characteristics apply across the entire operating conditions range unless otherwise noted.)

PARAMETER	SYMBOL	CONDITIONS	MIN	TYP	MAX	UNITS
V <sub>CORE</sub> Current, SLEEP Mode	I <sub>CORE_DSLPD</sub>	Dynamic, IBRO enabled, total current into V <sub>CORE</sub> pin, CPU in SLEEP mode, ECC disabled, standard DMA with two channels active, inputs tied to V <sub>SS</sub> or V <sub>DD</sub> , outputs source/sink 0mA	OVR = [10], V <sub>CORE</sub> = 1.1V, f <sub>SYS_CLK(MAX)</sub> = 7.3728MHz		0.04	μA/MHz
			OVR = [01], V <sub>CORE</sub> = 1.0V, f <sub>SYS_CLK(MAX)</sub> = 7.3728MHz		0.04	
			OVR = [00], V <sub>CORE</sub> = 0.9V, f <sub>SYS_CLK(MAX)</sub> = 7.3728MHz		0.04	
		Dynamic, IBRO enabled, total current into V <sub>CORE</sub> pin, CPU in SLEEP mode, ECC disabled, DMA disabled, inputs tied to V <sub>SS</sub> or V <sub>DD</sub> , outputs source/sink 0mA	OVR = [10], V <sub>CORE</sub> = 1.1V, f <sub>SYS_CLK(MAX)</sub> = 7.3728MHz		0.02	
			OVR = [01], V <sub>CORE</sub> = 1.0V, f <sub>SYS_CLK(MAX)</sub> = 7.3728MHz		0.02	
			OVR = [00], V <sub>CORE</sub> = 0.9V, f <sub>SYS_CLK(MAX)</sub> = 7.3728MHz		0.02	
	I <sub>CORE_FSLPD</sub>	Fixed, IBRO enabled, total current into V <sub>CORE</sub> pin, CPU in SLEEP mode, ECC disabled, inputs tied to V <sub>SS</sub> or V <sub>DD</sub> , outputs source/sink 0mA. See <a href="#">Table 22</a> for temperature variance.	OVR [10], V <sub>CORE</sub> = 1.1V		238	μA
			OVR [01], V <sub>CORE</sub> = 1.0V		179	
			OVR [00], V <sub>CORE</sub> = 0.9V		122	

**Electrical Characteristics (continued)**

(All specifications and characteristics apply across the entire operating conditions range unless otherwise noted.)

PARAMETER	SYMBOL	CONDITIONS	MIN	TYP	MAX	UNITS
V <sub>DD</sub> Current, SLEEP Mode	I <sub>DD_DSLPD</sub>	Dynamic, IBRO enabled, total current into V <sub>DD</sub> pin, V <sub>DD</sub> = 3.3V, CPU in SLEEP mode, ECC disabled, standard DMA with two channels active, inputs tied to V <sub>SS</sub> or V <sub>DD</sub> , outputs source/sink 0mA	OVR = [10], V <sub>CORE</sub> = 1.1V, f <sub>SYS_CLK(MAX)</sub> = 7.3728MHz		0.001	μA/MHz
			OVR = [01], V <sub>CORE</sub> = 1.0V, f <sub>SYS_CLK(MAX)</sub> = 7.3728MHz		0.001	
			OVR = [00], V <sub>CORE</sub> = 0.9V, f <sub>SYS_CLK(MAX)</sub> = 7.3728MHz		0.001	
		Dynamic, IBRO enabled, total current into V <sub>DD</sub> pin, V <sub>DD</sub> = 1.8V, CPU in SLEEP mode, ECC disabled, standard DMA with two channels active, inputs tied to V <sub>SS</sub> or V <sub>DD</sub> , outputs source/sink 0mA	OVR = [10], V <sub>CORE</sub> = 1.1V, f <sub>SYS_CLK(MAX)</sub> = 7.3728MHz		0.001	
			OVR = [01], V <sub>CORE</sub> = 1.0V, f <sub>SYS_CLK(MAX)</sub> = 7.3728MHz		0.001	
			OVR = [00], V <sub>CORE</sub> = 0.9V, f <sub>SYS_CLK(MAX)</sub> = 7.3728MHz		0.001	
	I <sub>DD_FSLPD</sub>	Fixed, IBRO enabled, total current into V <sub>DD</sub> pin, V <sub>DD</sub> = 3.3V, CPU in SLEEP mode, ECC disabled, inputs tied to V <sub>SS</sub> or V <sub>DD</sub> , outputs source/sink 0mA. See <a href="#">Table 23</a> for temperature variance.	OVR = [10], V <sub>CORE</sub> = 1.1V		165	μA
			OVR = [01], V <sub>CORE</sub> = 1.0V		165	
			OVR = [00], V <sub>CORE</sub> = 0.9V		165	
		Fixed, IBRO enabled, total current into V <sub>DD</sub> pin, V <sub>DD</sub> = 1.8V, CPU in SLEEP mode, ECC disabled, inputs tied to V <sub>SS</sub> or V <sub>DD</sub> , outputs source/sink 0mA. See <a href="#">Table 23</a> for temperature variance.	OVR = [10], V <sub>CORE</sub> = 1.1V		136	
			OVR = [01], V <sub>CORE</sub> = 1.0V		136	
			OVR = [00], V <sub>CORE</sub> = 0.9V		136	

**Electrical Characteristics (continued)**

(All specifications and characteristics apply across the entire operating conditions range unless otherwise noted.)

PARAMETER	SYMBOL	CONDITIONS	MIN	TYP	MAX	UNITS
<b>POWER / DUAL-SUPPLY OPERATION (<math>V_{DD}</math> AND <math>V_{CORE}</math>)</b>						
$V_{CORE}$ Fixed Current, DEEPSLEEP Mode	$I_{CORE\_FDSL P D}$	See <a href="#">Table 24</a> for temperature variance.	$V_{DD} = 3.3V,$ $V_{CORE} = 1.1V$		12.2	$\mu A$
			$V_{DD} = 3.3V,$ $V_{CORE} = 0.855V$		4.6	
			$V_{DD} = 1.8V,$ $V_{CORE} = 1.1V$		12.2	
			$V_{DD} = 1.8V,$ $V_{CORE} = 0.855V$		4.6	
$V_{DD}$ Fixed Current, DEEPSLEEP Mode	$I_{DD\_FDSL P D}$	See <a href="#">Table 25</a> for temperature variance.	$V_{DD} = 3.3V,$ $V_{CORE} = 1.1V$		0.37	$\mu A$
			$V_{DD} = 3.3V,$ $V_{CORE} = 0.855V$		0.37	
			$V_{DD} = 1.8V,$ $V_{CORE} = 1.1V$		0.15	
			$V_{DD} = 1.8V,$ $V_{CORE} = 0.855V$		0.15	

**Electrical Characteristics (continued)**

(All specifications and characteristics apply across the entire operating conditions range unless otherwise noted.)

PARAMETER	SYMBOL	CONDITIONS	MIN	TYP	MAX	UNITS
V <sub>CORE</sub> Fixed Current, BACKUP Mode	I <sub>CORE_FBKUD</sub>	0KB SRAM retained, RTC disabled, retention regulator disabled. See <a href="#">Table 26</a> for temperature variance.	V <sub>DD</sub> = 3.3V, V <sub>CORE</sub> = 1.1V		0.28	μA
			V <sub>DD</sub> = 3.3V, V <sub>CORE</sub> = 0.855V		0.14	
			V <sub>DD</sub> = 1.8V, V <sub>CORE</sub> = 1.1V		0.28	
			V <sub>DD</sub> = 1.8V, V <sub>CORE</sub> = 0.855V		0.14	
		20KB SRAM retained with RTC disabled. See <a href="#">Table 26</a> for temperature variance.	V <sub>DD</sub> = 3.3V, V <sub>CORE</sub> = 1.1V		1.31	
			V <sub>DD</sub> = 3.3V, V <sub>CORE</sub> = 0.855V		0.54	
			V <sub>DD</sub> = 1.8V, V <sub>CORE</sub> = 1.1V		1.31	
			V <sub>DD</sub> = 1.8V, V <sub>CORE</sub> = 0.855V		0.54	
		40KB SRAM retained with RTC disabled. See <a href="#">Table 26</a> for temperature variance.	V <sub>DD</sub> = 3.3V, V <sub>CORE</sub> = 1.1V		2.35	
			V <sub>DD</sub> = 3.3V, V <sub>CORE</sub> = 0.855V		0.94	
			V <sub>DD</sub> = 1.8V, V <sub>CORE</sub> = 1.1V		2.35	
			V <sub>DD</sub> = 1.8V, V <sub>CORE</sub> = 0.855V		0.94	
		120KB SRAM retained with RTC disabled. See <a href="#">Table 26</a> for temperature variance.	V <sub>DD</sub> = 3.3V, V <sub>CORE</sub> = 1.1V		5.46	
			V <sub>DD</sub> = 3.3V, V <sub>CORE</sub> = 0.855V		2.02	
			V <sub>DD</sub> = 1.8V, V <sub>CORE</sub> = 1.1V		5.46	
			V <sub>DD</sub> = 1.8V, V <sub>CORE</sub> = 0.855V		2.02	
		200KB SRAM retained with RTC disabled. See <a href="#">Table 26</a> for temperature variance.	V <sub>DD</sub> = 3.3V, V <sub>CORE</sub> = 1.1V		8.55	
			V <sub>DD</sub> = 3.3V, V <sub>CORE</sub> = 0.855V		3.09	
			V <sub>DD</sub> = 1.8V, V <sub>CORE</sub> = 1.1V		8.55	
			V <sub>DD</sub> = 1.8V, V <sub>CORE</sub> = 0.855V		3.09	

**Electrical Characteristics (continued)**

(All specifications and characteristics apply across the entire operating conditions range unless otherwise noted.)

PARAMETER	SYMBOL	CONDITIONS	MIN	TYP	MAX	UNITS
V <sub>DD</sub> Fixed Current, BACKUP Mode	I <sub>DD_FBKUD</sub>	0KB SRAM retained with RTC disabled, retention regulator disabled. See <a href="#">Table 27</a> for temperature variance.	V <sub>DD</sub> = 3.3V, V <sub>CORE</sub> = 1.1V		0.37	μA
			V <sub>DD</sub> = 3.3V, V <sub>CORE</sub> = 0.855V		0.37	
			V <sub>DD</sub> = 1.8V, V <sub>CORE</sub> = 1.1V		0.16	
			V <sub>DD</sub> = 1.8V, V <sub>CORE</sub> = 0.855V		0.16	
		20KB SRAM retained with RTC disabled. See <a href="#">Table 27</a> for temperature variance.	V <sub>DD</sub> = 3.3V, V <sub>CORE</sub> = 1.1V		0.37	
			V <sub>DD</sub> = 3.3V, V <sub>CORE</sub> = 0.855V		0.37	
			V <sub>DD</sub> = 1.8V, V <sub>CORE</sub> = 1.1V		0.16	
			V <sub>DD</sub> = 1.8V, V <sub>CORE</sub> = 0.855V		0.16	
		40KB SRAM retained with RTC disabled. See <a href="#">Table 27</a> for temperature variance.	V <sub>DD</sub> = 3.3V, V <sub>CORE</sub> = 1.1V		0.37	
			V <sub>DD</sub> = 3.3V, V <sub>CORE</sub> = 0.855V		0.37	
			V <sub>DD</sub> = 1.8V, V <sub>CORE</sub> = 1.1V		0.16	
			V <sub>DD</sub> = 1.8V, V <sub>CORE</sub> = 0.855V		0.16	
		120KB SRAM retained with RTC disabled. See <a href="#">Table 27</a> for temperature variance.	V <sub>DD</sub> = 3.3V, V <sub>CORE</sub> = 1.1V		0.37	
			V <sub>DD</sub> = 3.3V, V <sub>CORE</sub> = 0.855V		0.37	
			V <sub>DD</sub> = 1.8V, V <sub>CORE</sub> = 1.1V		0.16	
			V <sub>DD</sub> = 1.8V, V <sub>CORE</sub> = 0.855V		0.16	
		200KB SRAM retained with RTC disabled. See <a href="#">Table 27</a> for temperature variance.	V <sub>DD</sub> = 3.3V, V <sub>CORE</sub> = 1.1V		0.37	
			V <sub>DD</sub> = 3.3V, V <sub>CORE</sub> = 0.855V		0.37	
			V <sub>DD</sub> = 1.8V, V <sub>CORE</sub> = 1.1V		0.16	
			V <sub>DD</sub> = 1.8V, V <sub>CORE</sub> = 0.855V		0.16	

**Electrical Characteristics (continued)**

(All specifications and characteristics apply across the entire operating conditions range unless otherwise noted.)

PARAMETER	SYMBOL	CONDITIONS		MIN	TYP	MAX	UNITS
$V_{CORE}$ Fixed Current, STORAGE Mode	$I_{CORE\_FSTOD}$	See <a href="#">Table 28</a> for temperature variance.	$V_{DD} = 3.3V$ , $V_{CORE} = 1.1V$		0.29		$\mu A$
			$V_{DD} = 3.3V$ , $V_{CORE} = 0.855V$		0.15		
			$V_{DD} = 1.8V$ , $V_{CORE} = 1.1V$		0.29		
			$V_{DD} = 1.8V$ , $V_{CORE} = 0.855V$		0.15		
$V_{DD}$ Fixed Current, STORAGE Mode	$I_{DD\_FSTOD}$	See <a href="#">Table 29</a> for temperature variance.	$V_{DD} = 3.3V$ ; $V_{CORE} = 1.1V$		0.4		$\mu A$
			$V_{DD} = 3.3V$ ; $V_{CORE} = 0.855V$		0.4		
			$V_{DD} = 1.8V$ ; $V_{CORE} = 1.1V$		0.16		
			$V_{DD} = 1.8V$ ; $V_{CORE} = 0.855V$		0.16		
<b>POWER / DUAL-SUPPLY OPERATION (<math>V_{DD}</math> AND <math>V_{CORE}</math>) RESUME TIMES</b>							
SLEEP Mode Resume Time	$t_{SLP\_OND}$		$f_{SYS\_OSC} = IPO$ ; OVR = [11]		0.1		$\mu s$
			$f_{SYS\_OSC} = IBRO$ ; OVR = [11]		1.1		
DEEPSLEEP Mode Resume Time	$t_{DSL\_OND}$		$f_{SYS\_OSC} = IPO$ ; OVR = [11]	fast_wk_en = 1	37		$\mu s$
				fast_wk_en = 0	184		
			$f_{SYS\_OSC} = IBRO$ ; OVR = [11]	fast_wk_en = 1	146		
				fast_wk_en = 0	295		
BACKUP Mode Resume Time	$t_{BKU\_OND}$	Time from power mode exit to execution of application code; OVR = [11]	Parts without SCPBL		1.05		ms
			Parts with SCPBL performing signature verification over 512KB of flash		264		
STORAGE Mode Resume Time	$t_{STO\_OND}$	Time from power mode exit to execution of application code	Parts without SCPBL		1.05		ms
			Parts with SCPBL performing signature verification over 512KB of flash		264		
Cold Boot Startup Time	$t_{CB\_STD}$	Time from $V_{DD} = V_{DD(MIN)}$ and $V_{CORE} = V_{CORE(MIN)}$ to execution of application code	Parts without SCPBL		1.05		ms
<b>CLOCKS</b>							
System Clock Frequency	$f_{SYS\_CLK}$					100	MHz



**Electrical Characteristics (continued)**

(All specifications and characteristics apply across the entire operating conditions range unless otherwise noted.)

PARAMETER	SYMBOL	CONDITIONS	MIN	TYP	MAX	UNITS
System Clock Period	$t_{SYS\_CLK}$			$1/f_{SYS\_CLK}$		$\mu s$
Internal Primary Oscillator (IPO)	$f_{IPO}$	Default OVR = [10]		100		MHz
External RF Oscillator (ERFO)	$f_{ERFO}$	Required crystal characteristics: $C_L = 12pF$ , $ESR \leq 50\Omega$ , $C_0 \leq 7pF$ , temperature stability $\pm 20ppm$ , initial tolerance $\pm 20ppm$	16		32	MHz
Internal Baud Rate Oscillator (IBRO)	$f_{IBRO}$			7.3728		MHz
Internal Nanoring Oscillator (INRO)	$f_{INRO}$	Measured at $V_{DD} = 1.8V$		70		kHz
External RTC Oscillator (ERTCO)	$f_{ERTCO}$	32.768kHz watch crystal, $C_L = 6pF$ , $ESR < 90k\Omega$ , $C_0 < 2pF$		32.768		kHz
RTC Operating Current	$I_{RTC}$	All power modes, RTC enabled		0.35		$\mu A$
RTC Power-Up Time	$t_{RTC\_ON}$			250		ms
External Clock Input Frequency	$f_{EXT\_CLK}$	EXT_CLK1 selected			50	MHz
		EXT_CLK2 selected			1	
<b>12-BIT SAR ADC</b>						
Resolution				12		bits
Effective Number of Bits	ENOB	ADC_CLKCTRL.clkdiv = 0bX00. AINx input pk--pk = $V_{REF} - 10mV$		10		bits
External Reference Voltage	$V_{REF}$	$V_{REF} \leq V_{DDA}$	2.048		$V_{DDA}$	V
Internal Reference Voltage	$V_{INT\_REF}$	MCR_ADC_CFG0.ext_ref = 0, MCR_ADC_CFG0.ref_sel = 0		1.25		V
	$V_{INT\_REF}$	MCR_ADC_CFG0.ext_ref = 0, MCR_ADC_CFG0.ref_sel = 1		2.048		
ADC Clock Rate	$f_{ACLK}$			1		MHz
ADC Clock Period	$t_{ACLK}$			$1/f_{ACLK}$		$\mu s$
Input Voltage Range	$V_{AIN}$	AIN[11:0], ADC_DATA.chan = [11:0]	ADC_CLKCTRL.clkdiv = 0bX00	$V_{SSA} + 0.05$	$V_{REF}$	V
			ADC_CLKCTRL.clkdiv = 0bX01	$V_{SSA} + 0.05$	$\min(2 \times V_{REF}, V_{DDA})$	
			ADC_CLKCTRL.clkdiv = 0bX10	$V_{SSA} + 0.05$	$\min(2 \times V_{REF}, V_{DDA})$	
Input Impedance	$R_{AIN}$	ADC_CLKCTRL.clkdiv = 0bX01		5		k $\Omega$
		ADC_CLKCTRL.clkdiv = 0bX10		50		
Analog Input Capacitance	$C_{AIN}$	Fixed capacitance to $V_{SSA}$		2		pF
		Dynamically switched capacitance		1.2		pF
Integral Nonlinearity	INL			$\pm 1.5$		LSb
Differential Nonlinearity	DNL			$\pm 0.75$		LSb

**Electrical Characteristics (continued)**

(All specifications and characteristics apply across the entire operating conditions range unless otherwise noted.)

PARAMETER	SYMBOL	CONDITIONS	MIN	TYP	MAX	UNITS
Offset Error	V <sub>OS</sub>	Chopping disabled		±9		LSb
		Chopping enabled		±0.2		
ADC Active Current	I <sub>ADC</sub>	ADC active, reference buffer enabled, ADC_CLKCTRL.clk div = 0bX00	MCR_ADC_CFG0. ext_ref = 0, MCR_ADC_CFG0. ref_sel = 0, V <sub>DDA</sub> = 1.8V		500	μA
			MCR_ADC_CFG0. ext_ref = 0, MCR_ADC_CFG0. ref_sel = 1, V <sub>DDA</sub> = 3.3V		788	
		ADC active, reference buffer enabled, ADC_CLKCTRL.clk div = 0bX01	MCR_ADC_CFG0. ext_ref = 0, MCR_ADC_CFG0. ref_sel = 0, V <sub>DDA</sub> = 1.8V		440	
			MCR_ADC_CFG0. ext_ref = 0, MCR_ADC_CFG0. ref_sel = 1, V <sub>DDA</sub> = 3.3V		670	
		ADC active, reference buffer enabled, ADC_CLKCTRL.clk div = 0bX10	MCR_ADC_CFG0. ext_ref = 0, MCR_ADC_CFG0. ref_sel = 0, V <sub>DDA</sub> = 1.8V		366	
			MCR_ADC_CFG0. ext_ref = 0, MCR_ADC_CFG0. ref_sel = 1, V <sub>DDA</sub> = 3.3V		512	
ADC Sample Rate	f <sub>ADC</sub>	ADC_CLKCTRL.clkdiv = 0bX00			1	MSPS
		ADC_CLKCTRL.clkdiv = 0bX01			0.625	
		ADC_CLKCTRL.clkdiv = 0bX10			0.125	
ADC Setup Time	t <sub>ADC_SU</sub>	Any power-up of ADC clock or ADC bias to CpuAdcStart			500	μs
ADC Input Leakage	I <sub>ADC_LEAK</sub>	ADC inactive or channel not selected		0.4		nA
Bandgap Temperature Coefficient	V <sub>TEMPCO</sub>	Box method		45		ppm
<b>12-BIT SAR ADC / TEMPERATURE SENSOR</b>						
Accuracy	T <sub>ACC</sub>	Includes linearity and calibration error		±3		°C
Conversion Time	t <sub>T_CONV</sub>	Includes integration and ADC conversion time		300		μs
Integration Noise 1-Sigma	T <sub>INTN</sub>	Reduce by $\frac{1}{\sqrt{N}}$ integrations		0.5		°C

**Electrical Characteristics (continued)**

(All specifications and characteristics apply across the entire operating conditions range unless otherwise noted.)

PARAMETER	SYMBOL	CONDITIONS	MIN	TYP	MAX	UNITS
<b>COMPARATORS</b>						
Input Offset Voltage	$V_{\text{OFFSET}}$			±3		mV
Input Hysteresis	$V_{\text{HYST}}$	AINCOMPHYST[1:0] = 00		22		mV
		AINCOMPHYST[1:0] = 01		50		
		AINCOMPHYST[1:0] = 10		2		
		AINCOMPHYST[1:0] = 11		7		
Input Voltage Range	$V_{\text{IN\_CMP}}$	Common-mode range	0.6		1.35	V
<b>GENERAL-PURPOSE I/O</b>						
Input Low Voltage for All GPIO, RSTN	$V_{\text{IL\_GPIO}}$	Pin configured as GPIO			$0.3 \times V_{\text{DD}}$	V
Input High Voltage for All GPIO, RSTN	$V_{\text{IH\_GPIO}}$	Pin configured as GPIO	$0.7 \times V_{\text{DD}}$			V
Output Low Voltage for All GPIO Except P0.6, P0.7, P0.12, P0.13, P0.18, and P0.19	$V_{\text{OL\_GPIO}}$	$V_{\text{DD}} = 1.71\text{V}$ , $I_{\text{OL}} = 1\text{mA}$ , DS[1:0] = 00 ( <a href="#">Note 1</a> )		0.2	0.4	V
		$V_{\text{DD}} = 1.71\text{V}$ , $I_{\text{OL}} = 2\text{mA}$ , DS[1:0] = 10 ( <a href="#">Note 1</a> )		0.2	0.4	
		$V_{\text{DD}} = 1.71\text{V}$ , $I_{\text{OL}} = 4\text{mA}$ , DS[1:0] = 01 ( <a href="#">Note 1</a> )		0.2	0.4	
		$V_{\text{DD}} = 1.71\text{V}$ , $I_{\text{OL}} = 6\text{mA}$ , DS[1:0] = 11 ( <a href="#">Note 1</a> )		0.2	0.4	
Output Low Voltage for GPIO P0.6, P0.7, P0.12, P0.13, P0.18, P0.19	$V_{\text{OL\_I2C}}$	$V_{\text{DD}} = 1.71\text{V}$ , $I_{\text{OL}} = 2\text{mA}$ , DS = 0 ( <a href="#">Note 1</a> )		0.2	0.4	V
		$V_{\text{DD}} = 1.71\text{V}$ , $I_{\text{OL}} = 8\text{mA}$ , DS = 1 ( <a href="#">Note 1</a> )		0.2	0.4	
Output High Voltage for All GPIO Except P0.6, P0.7, P0.12, P0.13, P0.18, and P0.19	$V_{\text{OH\_GPIO}}$	$V_{\text{DD}} = 1.71\text{V}$ , $I_{\text{OH}} = 1\text{mA}$ , DS[1:0] = 00 ( <a href="#">Note 1</a> )	$V_{\text{DD}} - 0.4$			V
		$V_{\text{DD}} = 1.71\text{V}$ , $I_{\text{OH}} = 2\text{mA}$ , DS[1:0] = 10 ( <a href="#">Note 1</a> )	$V_{\text{DD}} - 0.4$			
		$V_{\text{DD}} = 1.71\text{V}$ , $I_{\text{OH}} = 4\text{mA}$ , DS[1:0] = 01 ( <a href="#">Note 1</a> )	$V_{\text{DD}} - 0.4$			
		$V_{\text{DD}} = 1.71\text{V}$ , $I_{\text{OH}} = 6\text{mA}$ , DS[1:0] = 11 ( <a href="#">Note 1</a> )	$V_{\text{DD}} - 0.4$			
Output High Voltage for GPIO P0.6, P0.7, P0.12, P0.13, P0.18, and P0.19	$V_{\text{OH\_I2C}}$	$V_{\text{DD}} = 1.71\text{V}$ , $I_{\text{OH}} = 2\text{mA}$ , DS = 0 ( <a href="#">Note 1</a> )	$V_{\text{DD}} - 0.4$			V
		$V_{\text{DD}} = 1.71\text{V}$ , $I_{\text{OH}} = 8\text{mA}$ , DS = 1 ( <a href="#">Note 1</a> )	$V_{\text{DD}} - 0.4$			
Combined $I_{\text{OL}}$ , All GPIO	$I_{\text{OL\_TOTAL}}$				100	mA
Combined $I_{\text{OH}}$ , All GPIO	$I_{\text{OH\_TOTAL}}$		-100			mA
Input Hysteresis (Schmitt)	$V_{\text{IHYS}}$			300		mV
Input/Output Pin Capacitance for All Pins	$C_{\text{IO}}$			4		pF
Input Leakage Current Low	$I_{\text{IL}}$	$V_{\text{IN}} = 0\text{V}$ , internal pullup disabled	-500		+500	nA

**Electrical Characteristics (continued)**

(All specifications and characteristics apply across the entire operating conditions range unless otherwise noted.)

PARAMETER	SYMBOL	CONDITIONS		MIN	TYP	MAX	UNITS
Input Leakage Current High	$I_{IH}$	$V_{IN} = 3.6V$ , internal pulldown disabled		-500		+500	nA
RSTN Assertion Time	$t_{RSTN}$	Device in ACTIVE mode, RSTN device pin assertion duration to entry into device reset state			$6 \times t_{SYS\_CLK}$		$\mu s$
Input Pullup Resistor to RSTN	$R_{PU\_VDD}$	Pullup to $V_{DD} = V_{RST}$ , RSTN at $V_{IH}$			18.7		k $\Omega$
		Pullup to $V_{DD} = 3.63V$ , RSTN at $V_{IH}$			10.0		
Input Pullup Resistor for All GPIO	$R_{PU}$	Device pin configured as GPIO, pullup to $V_{DD} = V_{RST}$ , device pin at $V_{IH}$			18.7		k $\Omega$
		Device pin configured as GPIO, pullup to $V_{DD} = 3.63V$ , device pin at $V_{IH}$			10.0		
Input Pulldown Resistor for All GPIO	$R_{PD}$	Device pin configured as GPIO, pulldown to $V_{SS}$ , $V_{DD} = V_{RST}$ , device pin at $V_{IL}$			17.6		k $\Omega$
		Device pin configured as GPIO, pulldown to $V_{SS}$ , $V_{DD} = 3.63V$ , device pin at $V_{IL}$			8.8		
<b>FLASH MEMORY</b>							
Flash Erase Time	$t_{M\_ERASE}$	Mass erase			30		ms
	$t_{P\_ERASE}$	Page erase			30		
Flash Programming Time per Word	$t_{PROG}$	32-bit programming mode, $f_{FLC\_CLK} = 1MHz$			42		$\mu s$
Flash Endurance				10			kcycles
Data Retention	$t_{RET}$	$T_A = +125^\circ C$		10			years
Current Consumption During Flash Programming	$I_{PROG}$	Single-supply operation; current required for flash write/erase	$V_{DD}$		6.5		mA
		Dual-supply operation; current required for flash write/erase	$V_{CORE}$		0.5		
			$V_{DD}$		6		

**Electrical Characteristics—SPI**

(Timing specifications are guaranteed by design and not production tested. All specifications and characteristics apply across the entire operating conditions range unless otherwise noted.)

PARAMETER	SYMBOL	CONDITIONS	MIN	TYP	MAX	UNITS
<b>MASTER MODE</b>						
SPI Master Operating Frequency	$f_{MCK}$	$f_{SYS\_CLK} = 100MHz$ , $f_{MCK(MAX)} = f_{SYS\_CLK}/2$			50	MHz
SPI Master SCK Period	$t_{MCK}$			$1/f_{MCK}$		ns
SCK Output Pulse-Width High/Low	$t_{MCH}$ , $t_{MCL}$		$t_{MCK}/2$			ns
MOSI Output Hold Time After SCK Sample Edge	$t_{MOH}$		$t_{MCK}/2$			ns

**Electrical Characteristics—SPI (continued)**

(Timing specifications are guaranteed by design and not production tested. All specifications and characteristics apply across the entire operating conditions range unless otherwise noted.)

PARAMETER	SYMBOL	CONDITIONS	MIN	TYP	MAX	UNITS
MOSI Output Valid to Sample Edge	$t_{MOV}$		$t_{MCK}/2$			ns
MOSI Output Hold Time After SCK Low Idle	$t_{MLH}$			$t_{MCK}/2$		ns
MISO Input Valid to SCK Sample Edge Setup	$t_{MIS}$			5		ns
MISO Input to SCK Sample Edge Hold	$t_{MIH}$			$t_{MCK}/2$		ns
<b>SLAVE MODE</b>						
SPI Slave Operating Frequency	$f_{SCK}$				50	MHz
SPI Slave SCK Period	$t_{SCK}$			$1/f_{SCK}$		ns
SCK Input Pulse-Width High/Low	$t_{SCH}, t_{SCL}$			$t_{SCK}/2$		
SSx Active to First Shift Edge	$t_{SSE}$			10		ns
MOSI Input to SCK Sample Edge Rise/Fall Setup	$t_{SIS}$			5		ns
MOSI Input from SCK Sample Edge Transition Hold	$t_{SIH}$			1		ns
MISO Output Valid after SCLK Shift Edge Transition	$t_{SOV}$			5		ns
SCK Inactive to SSx Inactive	$t_{SSD}$			10		ns
SSx Inactive Time	$t_{SSH}$			$1/f_{SCK}$		$\mu$ s
MISO Hold Time after SSx Deassertion	$t_{SLH}$			10		ns

**Electrical Characteristics—I<sup>2</sup>C**

(Timing specifications are guaranteed by design and not production tested. All specifications and characteristics apply across the entire operating conditions range unless otherwise noted.)

PARAMETER	SYMBOL	CONDITIONS	MIN	TYP	MAX	UNITS
<b>STANDARD MODE</b>						
Output Fall Time	$t_{OF}$	Standard mode, from $V_{IH(MIN)}$ to $V_{IL(MAX)}$		150		ns
SCL Clock Frequency	$f_{SCL}$		0		100	kHz
Low-Period SCL Clock	$t_{LOW}$		4.7			$\mu$ s
High-Time SCL Clock	$t_{HIGH}$		4.0			$\mu$ s

**Electrical Characteristics—I<sup>2</sup>C (continued)**

(Timing specifications are guaranteed by design and not production tested. All specifications and characteristics apply across the entire operating conditions range unless otherwise noted.)

PARAMETER	SYMBOL	CONDITIONS	MIN	TYP	MAX	UNITS
Setup Time for Repeated Start Condition	$t_{SU;STA}$		4.7			$\mu$ s
Hold Time for Repeated Start Condition	$t_{HD;STA}$		4.0			$\mu$ s
Data Setup Time	$t_{SU;DAT}$			300		ns
Data Hold Time	$t_{HD;DAT}$			10		ns
Rise Time for SDA and SCL	$t_R$			800		ns
Fall Time for SDA and SCL	$t_F$			200		ns
Setup Time for a Stop Condition	$t_{SU;STO}$		4.0			$\mu$ s
Bus Free Time Between a Stop and Start Condition	$t_{BUS}$		4.7			$\mu$ s
Data Valid Time	$t_{VD;DAT}$		3.45			$\mu$ s
Data Valid Acknowledge Time	$t_{VD;ACK}$		3.45			$\mu$ s
<b>FAST MODE</b>						
Output Fall Time	$t_{OF}$	From $V_{IH(MIN)}$ to $V_{IL(MAX)}$		150		ns
Pulse Width Suppressed by Input Filter	$t_{SP}$			75		ns
SCL Clock Frequency	$f_{SCL}$		0		400	kHz
Low-Period SCL Clock	$t_{LOW}$		1.3			$\mu$ s
High-Time SCL Clock	$t_{HIGH}$		0.6			$\mu$ s
Setup Time for Repeated Start Condition	$t_{SU;STA}$		0.6			$\mu$ s
Hold Time for Repeated Start Condition	$t_{HD;STA}$		0.6			$\mu$ s
Data Setup Time	$t_{SU;DAT}$			125		ns
Data Hold Time	$t_{HD;DAT}$			10		ns
Rise Time for SDA and SCL	$t_R$			30		ns
Fall Time for SDA and SCL	$t_F$			30		ns
Setup Time for a Stop Condition	$t_{SU;STO}$		0.6			$\mu$ s
Bus Free Time Between a Stop and Start Condition	$t_{BUS}$		1.3			$\mu$ s
Data Valid Time	$t_{VD;DAT}$		0.9			$\mu$ s

**Electrical Characteristics—I<sup>2</sup>C (continued)**

(Timing specifications are guaranteed by design and not production tested. All specifications and characteristics apply across the entire operating conditions range unless otherwise noted.)

PARAMETER	SYMBOL	CONDITIONS	MIN	TYP	MAX	UNITS
Data Valid Acknowledge Time	$t_{VD;ACK}$		0.9			$\mu$ s
<b>FAST-MODE PLUS</b>						
Output Fall Time	$t_{OF}$	From $V_{IH(MIN)}$ to $V_{IL(MAX)}$		80		ns
Pulse Width Suppressed by Input Filter	$t_{SP}$			75		ns
SCL Clock Frequency	$f_{SCL}$		0		1000	kHz
Low-Period SCL Clock	$t_{LOW}$		0.5			$\mu$ s
High-Time SCL Clock	$t_{HIGH}$		0.26			$\mu$ s
Setup Time for Repeated Start Condition	$t_{SU;STA}$		0.26			$\mu$ s
Hold Time for Repeated Start Condition	$t_{HD;STA}$		0.26			$\mu$ s
Data Setup Time	$t_{SU;DAT}$			50		ns
Data Hold Time	$t_{HD;DAT}$			10		ns
Rise Time for SDA and SCL	$t_R$			50		ns
Fall Time for SDA and SCL	$t_F$			30		ns
Setup Time for a Stop Condition	$t_{SU;STO}$		0.26			$\mu$ s
Bus Free Time Between a Stop and Start Condition	$t_{BUS}$		0.5			$\mu$ s
Data Valid Time	$t_{VD;DAT}$		0.45			$\mu$ s
Data Valid Acknowledge Time	$t_{VD;ACK}$		0.45			$\mu$ s

**Electrical Characteristics—I<sup>2</sup>S Slave**

(Timing specifications are guaranteed by design and not production tested. All specifications and characteristics apply across the entire operating conditions range unless otherwise noted.)

PARAMETER	SYMBOL	CONDITIONS	MIN	TYP	MAX	UNITS
Bit Clock Frequency	$f_{BCLKS}$				25	MHz
Bit Clock Period	$t_{BCLKS}$		$1/f_{BCLKS}$			ns
BCLK High Time	$t_{WBCLKHS}$			0.5		$1/f_{BCLKS}$
BCLK Low Time	$t_{WBCLKLS}$			0.5		$1/f_{BCLKS}$
LRCLK Setup Time	$t_{LRCLK\_BCLKS}$			25		ns
Delay Time, BCLK to SD (Output) Valid	$t_{BCLK\_SDOS}$			12		ns
Setup Time for SD (Input)	$t_{SU\_SDIS}$			6		ns

**Electrical Characteristics—I<sup>2</sup>S Slave (continued)**

(Timing specifications are guaranteed by design and not production tested. All specifications and characteristics apply across the entire operating conditions range unless otherwise noted.)

PARAMETER	SYMBOL	CONDITIONS	MIN	TYP	MAX	UNITS
Hold Time SD (Input)	t <sub>HD_SDIS</sub>			3		ns

**Electrical Characteristics—Quadrature Decoder**

(Timing specifications are guaranteed by design and not production tested. All specifications and characteristics apply across the entire operating conditions range unless otherwise noted.)

PARAMETER	SYMBOL	CONDITIONS	MIN	TYP	MAX	UNITS
Encoder Period	t <sub>EP</sub>	Ensure at least one sample in each encoder state	4	8		t <sub>PCLK</sub>
Encoder Pulse Width	t <sub>E</sub>	Ensure at least one sample in each encoder state	2	4		t <sub>PCLK</sub>
Encoder State Period	t <sub>ES</sub>	Ensure at least one sample in each encoder state	1	2		t <sub>PCLK</sub>
Index Signal Width	t <sub>IND</sub>		1	1/4 x t <sub>EP</sub>	t <sub>EP</sub>	t <sub>PCLK</sub>
Expected Glitch Time Window	t <sub>GL</sub>	QDEC_CTRL.filter = 0b00	0			t <sub>PCLK</sub>
		QDEC_CTRL.filter = 0b01		1		
Q DIRECTION	t <sub>QDIR</sub>	After either QEA or QEB transition		4		t <sub>PCLK</sub>
Q MATCH	t <sub>QM</sub>	After either QEA or QEB transition		4		t <sub>PCLK</sub>
Q MATCH Pulse Width	t <sub>QMP</sub>	Until next state transition		1		t <sub>ES</sub>
Q ERROR	t <sub>ER</sub>	After either a faulty QEA or QEB transition		4		t <sub>PCLK</sub>
Q ERROR Pulse Width	t <sub>ERP</sub>	Until next state transition		1		t <sub>ES</sub>

**Note 1:** When using a GPIO bias voltage of 2.97V, the drive current capability of the GPIO is 2x that of its drive strength when using a GPIO bias voltage of 1.62V.





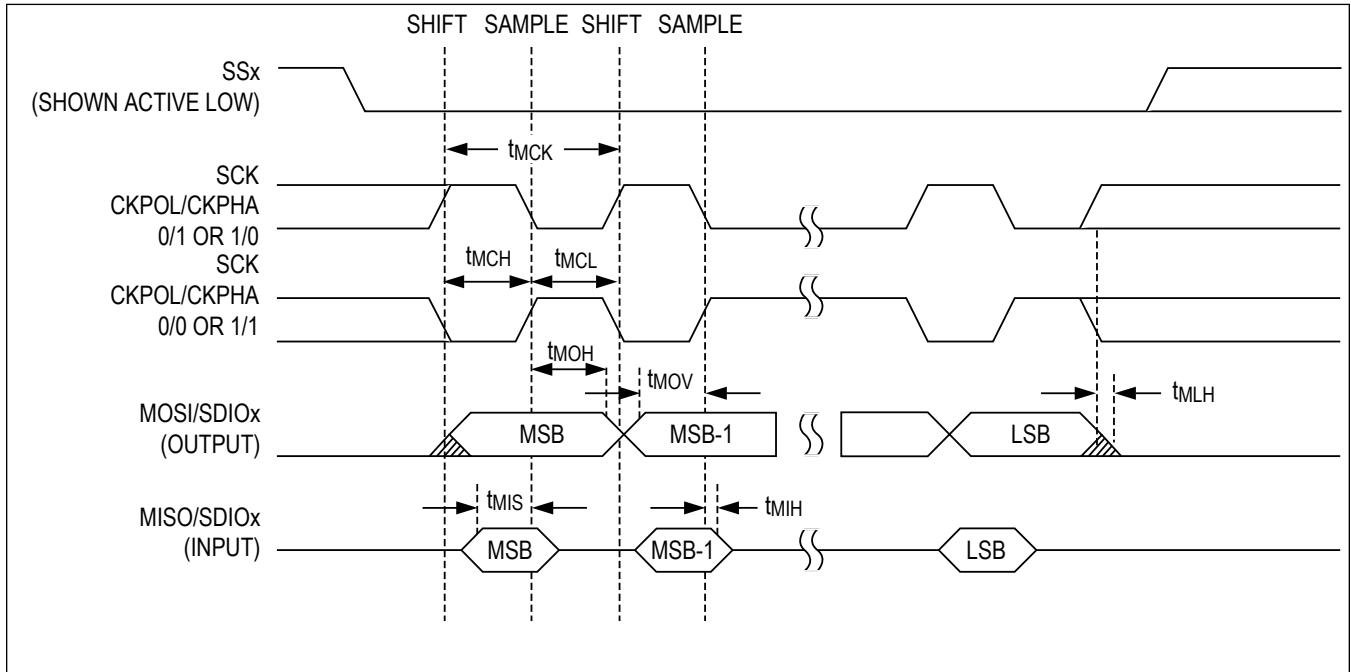


Figure 2. SPI Master Mode Timing Diagram

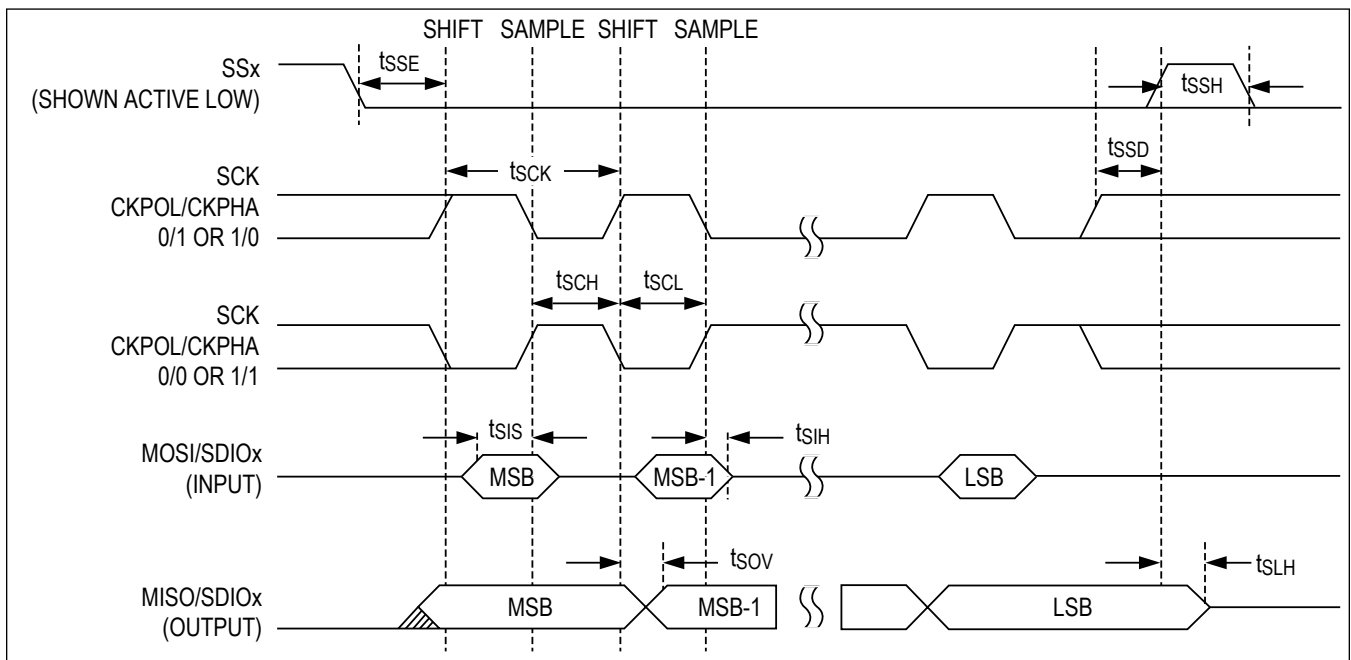


Figure 3. SPI Slave Mode Timing Diagram

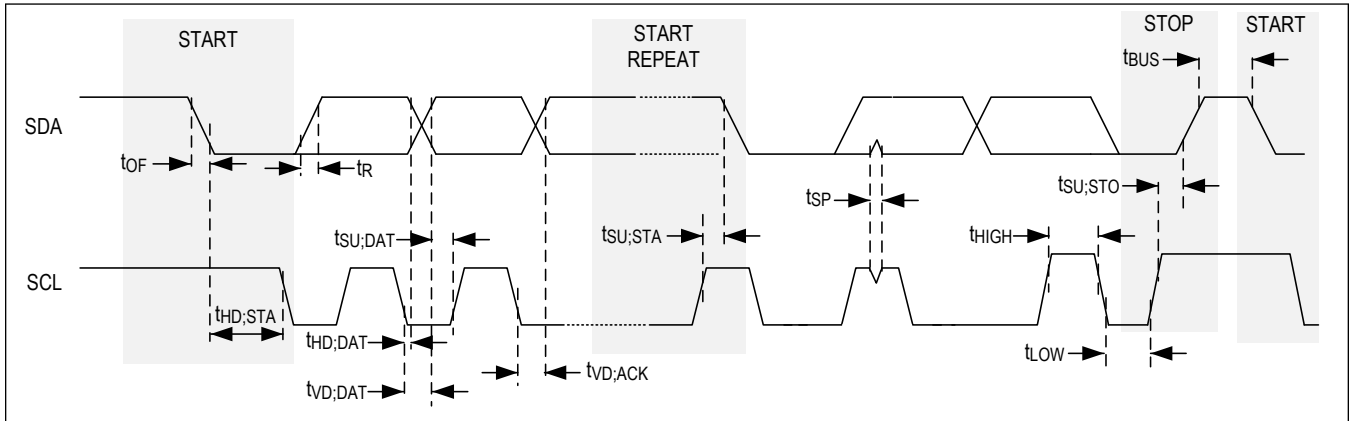


Figure 4. I<sup>2</sup>C Timing Diagram

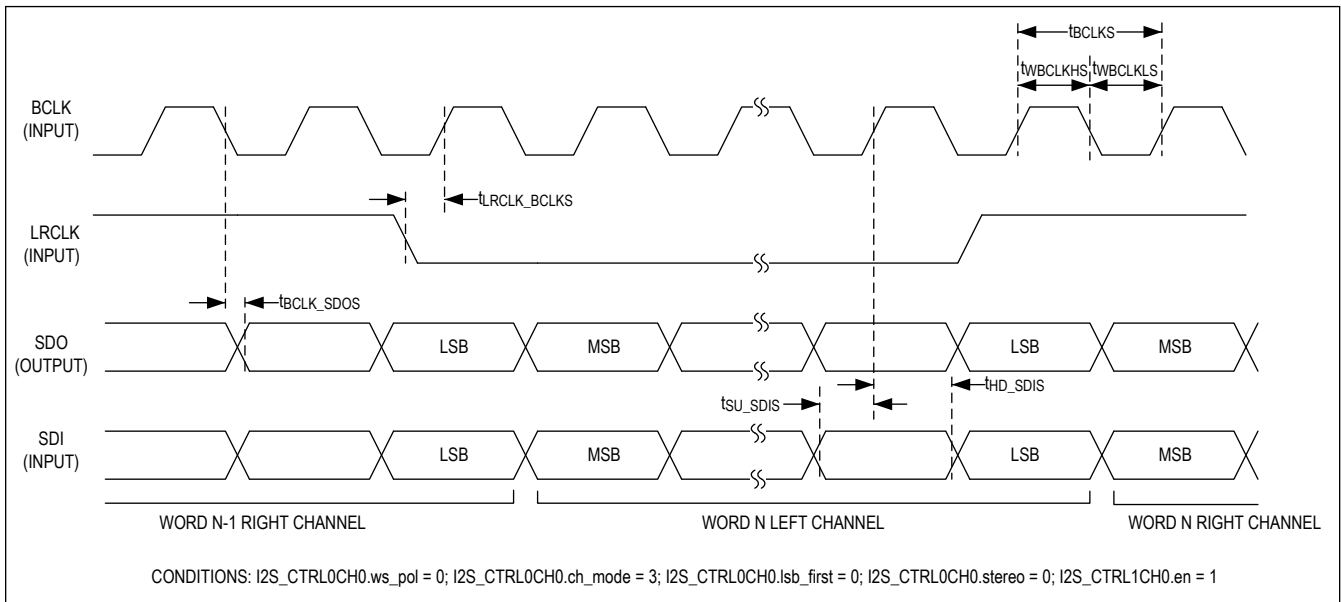


Figure 5. I<sup>2</sup>S Timing Diagram

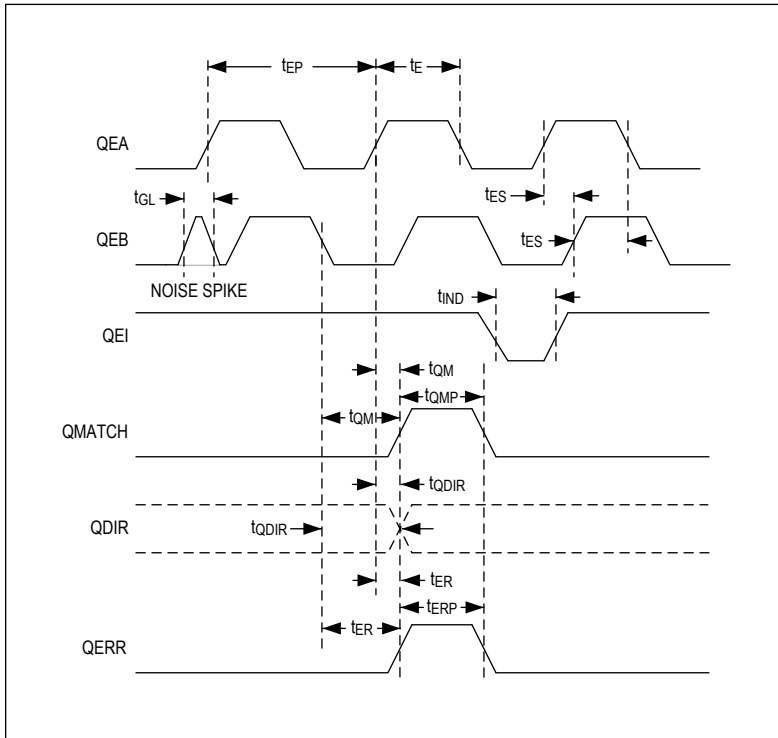
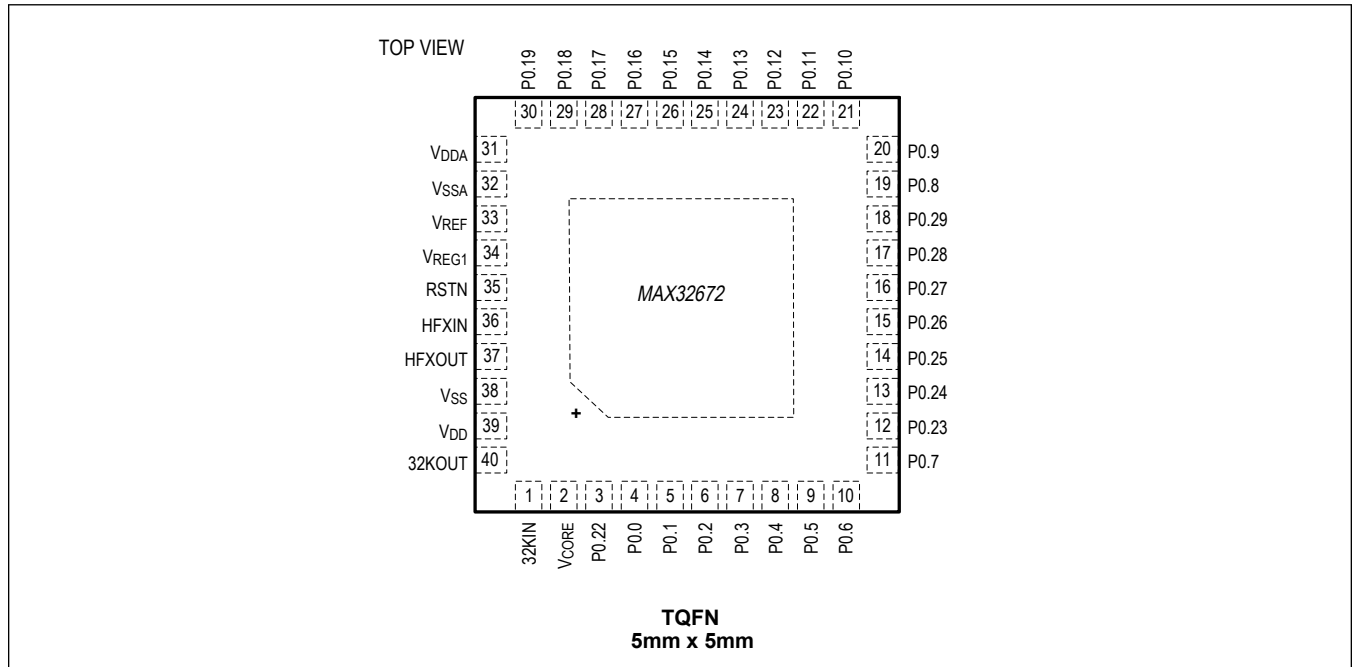


Figure 6. Quadrature Decoder Timing Diagram

Pin Configuration

40 TQFN



Pin Description

PIN	NAME	FUNCTION MODE					FUNCTION
		Primary Signal (Default)	Alternate Function 1	Alternate Function 2	Alternate Function 3	Alternate Function 4	
<b>POWER AND SYSTEM PINS (See <a href="#">Bypass Capacitor Recommendations</a>)</b>							
2	V <sub>CORE</sub>	—	—	—	—	—	Digital Supply Voltage. Bypass with 1.0µF to V <sub>SS</sub> .
34	V <sub>REG1</sub>	—	—	—	—	—	Bypass with 4.7nF to V <sub>SS</sub> . Do not connect this device pin to any other external circuitry.
39	V <sub>DD</sub>	—	—	—	—	—	GPIO Supply Voltage. Bypass with 4.7µF to V <sub>SS</sub> .
EP, 38	V <sub>SS</sub>	—	—	—	—	—	Digital Ground. Exposed pad (TQFN only). This pad must be connected to V <sub>SS</sub> . Refer to <a href="#">Application Note 3273: Exposed Pads: A Brief Introduction</a> for additional information.
33	V <sub>REF</sub>	—	—	—	—	—	ADC External Reference Input. This is the reference input for the ADC. Bypass with 1.0µF to V <sub>SS</sub> .

## 40 TQFN

PIN	NAME	FUNCTION MODE					FUNCTION
		Primary Signal (Default)	Alternate Function 1	Alternate Function 2	Alternate Function 3	Alternate Function 4	
31	V <sub>DDA</sub>	—	—	—	—	—	Analog Supply Voltage. This pin must always be connected to the V <sub>DD</sub> device pin at the PCB level. Bypass this pin to V <sub>SSA</sub> with 1.0μF as close as possible to the package.
32	V <sub>SSA</sub>	—	—	—	—	—	Analog Ground
35	RSTN	—	—	—	—	—	Hardware Power Reset (Active-Low) Input. The device remains in reset while this pin is in its active state. When the pin transitions to its inactive state, the device performs a POR reset (resetting all logic on all supplies except for real-time clock circuitry) and begins execution. This pin has an internal pullup to the V <sub>DD</sub> supply.
<b>CLOCK PINS</b>							
40	32KOUT	—	—	—	—	—	32kHz Crystal Oscillator Output. Refer to the <a href="#">MAX32672 User Guide</a> for determination of the required external stability capacitors.
1	32KIN	—	—	—	—	—	32kHz Crystal Oscillator Input. Connect a 32kHz crystal between 32KIN and 32KOUT for RTC operation. Refer to the <a href="#">MAX32672 User Guide</a> for determination of the required external stability capacitors. Optionally, this pin can be configured as the input for an external CMOS-level clock source.
36	HFXIN	—	—	—	—	—	RF Crystal Oscillator Input. Connect the crystal between HFXIN and HFXOUT. Optionally, this pin can be configured as the input for an external square-wave source. See the <a href="#">Electrical Characteristics</a> table for details of the crystal requirements. Refer to the <a href="#">MAX32672 User Guide</a> for determination of the required external stability capacitors.
37	HFXOUT	—	—	—	—	—	RF Crystal Oscillator Output. Connect the crystal between HFXIN and HFXOUT. See the <a href="#">Electrical Characteristics</a> table for details of the crystal requirements. Refer to the <a href="#">MAX32672 User Guide</a> for determination of the required external stability capacitors.

## 40 TQFN

PIN	NAME	FUNCTION MODE					FUNCTION
		Primary Signal (Default)	Alternate Function 1	Alternate Function 2	Alternate Function 3	Alternate Function 4	
<b>GPIO AND ALTERNATE FUNCTION</b>							
4	P0.0	P0.0	SWDIO	—	TMR0C_IA	—	Single-Wire Debug I/O; Timer0 Port Map C Input 32 Bits or Lower 16 Bits
5	P0.1	P0.1	SWDCLK	—	TMR0C_OA	—	Single-Wire Debug Clock; Timer0 Port Map C Output 32 Bits or Lower 16 Bits
6	P0.2	P0.2	SPI0A_MISO	UART1B_RX	TMR1C_IA	—	SPI0 Master In Slave Out; UART1 Port Map B RX; Timer1 Port Map C Input 32 Bits or Lower 16 Bits
7	P0.3	P0.3	SPI0A_MOSI	UART1B_TX	TMR1C_OA	—	SPI0 Master Out Slave In; UART1 Port Map B Tx; Timer1 Port Map C Output 32 Bits or Lower 16 Bits
8	P0.4	P0.4	SPI0A_SCK	UART1B_CTS	TMR2C_IA	—	SPI0 Serial Clock; UART1 Port Map B CTS; Timer2 Port Map C Input 32 Bits or Lower 16 Bits
9	P0.5	P0.5	SPI0A_SS0	UART1B_RTS	TMR2C_OA	HFX_CLK_OUT	SPI0 Slave Select 0; UART1 Port Map B RTS; Timer2 Port Map C Output; ERFO Buffered Output 32 Bits or Lower 16 Bits
10	P0.6	P0.6	I2C0A_SCL	LPTMR0B_IA	SPI0C_SS1	QEA	I2C0 Serial Clock; Low-Power Timer0 Port Map A Input 32 Bits or Lower 16 Bits; SPI0 Slave Select 1; Quadrature Decoder Phase A Input
11	P0.7	P0.7	I2C0A_SDA	LPTMR0B_OA	SPI0C_SS2	QEB	I2C0 Serial Data; Low-Power Timer0 Port Map A Output 32 Bits or Lower 16 Bits; SPI0 Slave Select 2; Quadrature Decoder Phase B Input
19	P0.8	P0.8	UART0A_RX	I2S0A_SDO	TMR0C_IA	AIN0/ AIN_C0_N/ AIN_C1_N	UART0 Port Map A Rx; I2S0 Serial Data Output; Timer0 Port Map C Input 32 Bits or Lower 16 Bits; Comparator Negative Input
20	P0.9	P0.9	UART0A_TX	I2S0A_LRC_LK	TMR0C_OA	AIN1/ AIN_C0_N/ AIN_C1_N	UART0 Port Map A Tx; I2S0 Left/Right Clock; Timer0 Port Map C Output 32 Bits or Lower 16 Bits; Comparator Negative Input
21	P0.10	P0.10	UART0A_CTS	I2S0A_BCLK	TMR1C_IA	AIN2/ AIN_C0_N/ AIN_C1_N	UART0 Port Map A CTS; I2S0 Bit Clock; Timer Port Map C Input 32 Bits or Lower 16 Bits; Comparator Negative Input
22	P0.11	P0.11	UART0A_RTS	I2S0A_SDI	TMR1C_OA	AIN3/ AIN_C0_N/ AIN_C1_N	UART0 Port Map A RTS; I2S0 Serial Data Input; Timer1 Port Map C Output 32 Bits or Lower 16 Bits; Comparator Negative Input
23	P0.12	P0.12	I2C1A_SCL	EXT_CLK2	TMR2C_IA	AIN4/ AIN_C0_P/ AIN_C1_P	I2C1 Serial Clock; Low-Power External Clock Input; Timer2 Port Map C Input 32 Bits or Lower 16 Bits; Comparator Positive Input

## 40 TQFN

PIN	NAME	FUNCTION MODE					FUNCTION
		Primary Signal (Default)	Alternate Function 1	Alternate Function 2	Alternate Function 3	Alternate Function 4	
24	P0.13	P0.13	I2C1A_SDA	32KCAL	TMR2C_OA	AIN5/ AIN_C0_P/ AIN_C1_P	I2C1 Serial Data; 32.768kHz Calibration Output; Timer2 Port Map C Output 32 Bits or Lower 16 Bits; Comparator Positive Input
25	P0.14	P0.14	SPI1A_MISO	UART2B_RX	TMR3C_IA	AIN6/ AIN_C0_P/ AIN_C1_P	SPI1 Master In Slave Out; UART2 Port Map B Rx; Timer3 Port Map C Input 32 Bits or Lower 16 Bits; Comparator Positive Input
26	P0.15	P0.15	SPI1A_MOSI	UART2B_TX	TMR3C_OA	AIN7/ AIN_C0_P/ AIN_C1_P	SPI1 Master Out Slave In; UART2 Port Map B Tx; Timer3 Port Map C Output 32 Bits or Lower 16 Bits; ADC Input 7/Comparator Positive Input
27	P0.16	P0.16	SPI1A_SCK	UART2B_CTS	TMR0C_IA	AIN8	SPI1 Serial Clock; UART2 Port Map B CTS; Timer0 Port Map C Input 32 Bits or Lower 16 Bits; ADC Input 8
28	P0.17	P0.17	SPI1A_SS0	UART2B_RTS	TMR0C_OA	AIN9	SPI1 Slave Select 0; UART2 Port Map B RTS; Timer0 Port Map C Output 32 Bits or Lower 16 Bits; ADC Input 9
29	P0.18	P0.18	I2C2A_SCL	—	TMR1C_IA	AIN10	I2C2 Serial Clock; Timer1 Port Map C Input 32 Bits or Lower 16 Bits; ADC Input 10
30	P0.19	P0.19	I2C2A_SDA	—	TMR1C_OA	AIN11	I2C2 Serial Data; Timer1 Port Map C Output 32 Bits or Lower 16 Bits; ADC Input 11
3	P0.22	P0.22	LPTMR1A_IA	ADC_TRIG_B	TMR0C_IA	—	Low-Power Timer1 Port Map A Input; ADC Trigger Port Map B; Timer0 Port Map C Input 32 Bits or Lower 16 Bits
12	P0.23	P0.23	LPTMR1A_OA	—	SPIOC_SS3	QEI	Low-Power Timer1 Port Map A Output; SPI0 Slave Select 3; Quadrature Decoder Index Input
13	P0.24	P0.24	LPUART0A_CTS	UART0B_RX	I2S0A_SD0	QES	Low-Power UART0 CTS; UART0 Port Map B Rx; I2S0 Serial Data Output; Quadrature Decoder Capture Input
14	P0.25	P0.25	LPUART0A_RTS	UART0B_TX	I2S0A_LRLK	QMATCH	Low-Power UART0 RTS; UART0 Port Map B Tx; I2S0 Left/Right Clock; Quadrature Decoder Match Output
15	P0.26	P0.26	LPUART0A_RX	UART0B_CTS	I2S0C_BCLK	QDIR	Low-Power UART0 Rx; UART0 Port Map B CTS; I2S0 Bit Clock; Quadrature Decoder Direction Output
16	P0.27	P0.27	LPUART0A_TX	UART0B_RTS	I2S0C_SDI	QERR	Low-Power UART0 Port Map A Tx; UART0 Port Map B Request to Send; I2S0 Port Map C Serial Data Input; Quadrature Decoder Error Output





## Pin Description

PIN	NAME	FUNCTION MODE					FUNCTION
		Primary Signal (Default)	Alternate Function 1	Alternate Function 2	Alternate Function 3	Alternate Function 4	
<b>POWER AND SYSTEM PINS (See <a href="#">Bypass Capacitor Recommendations</a>)</b>							
56	V <sub>CORE</sub>	—	—	—	—	—	Digital Supply Voltage. Bypass with 1.0µF to V <sub>SS</sub> .
48	V <sub>REG1</sub>	—	—	—	—	—	Bypass with 4.7nF to V <sub>SS</sub> . Do not connect this device pin to any other external circuitry.
14, 53	V <sub>DD</sub>	—	—	—	—	—	GPIO Supply Voltage. Bypass with 4.7µF to V <sub>SS</sub> .
EP, 27, 52	V <sub>SS</sub>	—	—	—	—	—	Digital Ground. Exposed pad (TQFN only). This pad must be connected to V <sub>SS</sub> . Refer to <a href="#">Application Note 3273: Exposed Pads: A Brief Introduction</a> for additional information.
47	V <sub>REF</sub>	—	—	—	—	—	ADC External Reference Input. This is the reference input for the ADC converter. Bypass with 1.0µF to V <sub>SS</sub> .
45	V <sub>DDA</sub>	—	—	—	—	—	Analog Supply Voltage. This pin must always be connected to the V <sub>DD</sub> device pin at the PCB level. Bypass this pin to V <sub>SSA</sub> with 1.0µF as close as possible to the package.
46	V <sub>SSA</sub>	—	—	—	—	—	Analog Ground
49	RSTN	—	—	—	—	—	Hardware Power Reset (Active-Low) Input. The device remains in reset while this pin is in its active state. When the pin transitions to its inactive state, the device performs a POR reset (resetting all logic on all supplies except for real-time clock circuitry) and begins execution. This pin has an internal pullup to the V <sub>DD</sub> supply.
<b>CLOCK PINS</b>							
54	32KOUT	—	—	—	—	—	32kHz Crystal Oscillator Output. Refer to the <a href="#">MAX32672 User Guide</a> for determination of the required external stability capacitors.
55	32KIN	—	—	—	—	—	32kHz Crystal Oscillator Input. Connect a 32kHz crystal between 32KIN and 32KOUT for RTC operation. Refer to the <a href="#">MAX32672 User Guide</a> for determination of the required external stability capacitors. Optionally, this pin can be configured as the input for an external CMOS-level clock source.

## 56 TQFN

PIN	NAME	FUNCTION MODE					FUNCTION
		Primary Signal (Default)	Alternate Function 1	Alternate Function 2	Alternate Function 3	Alternate Function 4	
50	HFXIN	—	—	—	—	—	RF Crystal Oscillator Input. Connect the crystal between HFXIN and HFXOUT. Optionally, this pin can be configured as the input for an external square-wave source. See the <a href="#">Electrical Characteristics</a> table for details of the crystal requirements. Refer to the <a href="#">MAX32672 User Guide</a> for determination of the required external stability capacitors.
51	HFXOUT	—	—	—	—	—	RF Crystal Oscillator Output. Connect the crystal between HFXIN and HFXOUT. See <a href="#">Electrical Characteristics</a> for details of the crystal requirements. Refer to the <a href="#">MAX32672 User Guide</a> for determination of the required external stability capacitors.
<b>GPIO AND ALTERNATE FUNCTION</b>							
6	P0.0	P0.0	SWDIO	—	TMR0C_IA	—	Single-Wire Debug I/O; Timer0 Port Map C Input 32 Bits or Lower 16 Bits
7	P0.1	P0.1	SWDCLK	—	TMR0C_OA	—	Single-Wire Debug Clock; Timer0 Port Map C Output 32 Bits or Lower 16 Bits
8	P0.2	P0.2	SPI0A_MISO	UART1B_RX	TMR1C_IA	—	SPI0 Port Map A Master In Slave Out; UART1 Port Map B Rx; Timer1 Port Map C Input 32 Bits or Lower 16 Bits
9	P0.3	P0.3	SPI0A_MOSI	UART1B_TX	TMR1C_OA	—	SPI0 Master Out Slave In; UART1 Port Map B Tx; Timer1 Port Map C Output 32 Bits or Lower 16 Bits
10	P0.4	P0.4	SPI0A_SCK	UART1B_CTS	TMR2C_IA	—	SPI0 Serial Clock; UART1 Port Map B CTS; Timer2 Port Map C Input 32 Bits or Lower 16 Bits
11	P0.5	P0.5	SPI0A_SS0	UART1B_RTS	TMR2C_OA	HFX_CLK_OUT	SPI0 Slave Select 0; UART1 Port Map B RTS; Timer2 Port Map C Output 32 Bits or Lower 16 Bits; ERFO Buffered Output
12	P0.6	P0.6	I2C0A_SCL	LPTMR0B_IA	SPI0C_SS1	QEA	I2C0 Serial Clock; Low-Power Timer0 Port Map A Input 32 Bits or Lower 16 Bits; SPI0 Slave Select 1; Quadrature Decoder Phase A Input
13	P0.7	P0.7	I2C0A_SDA	LPTMR0B_OA	SPI0C_SS2	QEB	I2C0 Serial Data; Low-Power Timer0 Port Map A Output 32 Bits or Lower 16 Bits; SPI0 Slave Select 2; Quadrature Decoder Phase B Input

## 56 TQFN

PIN	NAME	FUNCTION MODE					FUNCTION
		Primary Signal (Default)	Alternate Function 1	Alternate Function 2	Alternate Function 3	Alternate Function 4	
28	P0.8	P0.8	UART0A_RX	I2S0A_SDO	TMR0C_IA	AIN0/ AIN_C0_N/ AIN_C1_N	UART0 Port Map A Rx; I2S0 Serial Data Output; Timer0 Port Map C Input 32 Bits or Lower 16 Bits; Comparator Negative Input
29	P0.9	P0.9	UART0A_TX	I2S0A_LRC_LK	TMR0C_OA	AIN1/ AIN_C0_N/ AIN_C1_N	UART0 Port Map A Tx; I2S0 Left/Right Clock; Timer0 Port Map C Output 32 Bits or Lower 16 Bits; Comparator Negative Input
30	P0.10	P0.10	UART0A_CTS	I2S0A_BCLK	TMR1C_IA	AIN2/ AIN_C0_N/ AIN_C1_N	UART0 Port Map A CTS; I2S0 Bit Clock; Timer1 Port Map C Input 32 Bits or Lower 16 Bits; Comparator Negative Input
31	P0.11	P0.11	UART0A_RTS	I2S0A_SDI	TMR1C_OA	AIN3/ AIN_C0_N/ AIN_C1_N	UART0 Port Map A RTS; I2S0 Serial Data Input; Timer1 Port Map C Output 32 Bits or Lower 16 Bits; Comparator Negative Input
32	P0.12	P0.12	I2C1A_SCL	EXT_CLK2	TMR2C_IA	AIN4/ AIN_C0_P/ AIN_C1_P	I2C1 Serial Clock; Low-Power External Clock Input; Timer2 Port Map C Input 32 Bits or Lower 16 Bits; Comparator Positive Input
33	P0.13	P0.13	I2C1A_SDA	32KCAL	TMR2C_OA	AIN5/ AIN_C0_P/ AIN_C1_P	I2C1 Serial Data; 32.768kHz Calibration Output; Timer2 Port Map C Output 32 Bits or Lower 16 Bits; Comparator Positive Input
34	P0.14	P0.14	SPI1A_MISO	UART2B_RX	TMR3C_IA	AIN6/ AIN_C0_P/ AIN_C1_P	SPI1 Master In Slave Out; UART2 Port Map B Rx; Timer3 Port Map C Input 32 Bits or Lower 16 Bits; Comparator Positive Input
35	P0.15	P0.15	SPI1A_MOSI	UART2B_TX	TMR3C_OA	AIN7/ AIN_C0_P/ AIN_C1_P	SPI1 Master Out Slave In; UART2 Port Map B Tx; Timer3 Port Map C Output 32 Bits or Lower 16 Bits; ADC Input 7/Comparator Positive Input
36	P0.16	P0.16	SPI1A_SCK	UART2B_CTS	TMR0C_IA	AIN8	SPI1 Serial Clock; UART2 Port Map B CTS; Timer0 Port Map C Input 32 Bits or Lower 16 Bits; ADC Input 8
41	P0.17	P0.17	SPI1A_SS0	UART2B_RTS	TMR0C_OA	AIN9	SPI1 Slave Select 0; UART2 Port Map B RTS; Timer0 Port Map C Output 32 Bits or Lower 16 Bits; ADC Input 9
42	P0.18	P0.18	I2C2A_SCL	—	TMR1C_IA	AIN10	I2C2 Serial Clock; Timer1 Port Map C Input 32 Bits or Lower 16 Bits; ADC Input 10
43	P0.19	P0.19	I2C2A_SDA	—	TMR1C_OA	AIN11	I2C2 Serial Data; Timer1 Port Map C Output 32 Bits or Lower 16 Bits; ADC Input 11
1	P0.20	P0.20	CM4_RX	—	TMR2C_IA	—	CM4 Rx Event Input; Timer2 Port Map C Input 32 Bits or Lower 16 Bits

## 56 TQFN

PIN	NAME	FUNCTION MODE					FUNCTION
		Primary Signal (Default)	Alternate Function 1	Alternate Function 2	Alternate Function 3	Alternate Function 4	
2	P0.21	P0.21	CM4_TX	—	TMR2C_OA	—	CM4 Tx Event Output; Timer2 Port Map C Output 32 Bits or Lower 16 Bits
3	P0.22	P0.22	LPTMR1A_I A	ADC_TRIG _B	TMR0C_IA	—	Low-Power Timer1 Port Map A Input; ADC Trigger Port Map B; Timer0 Port Map C Input 32 Bits or Lower 16 Bits
15	P0.23	P0.23	LPTMR1A_ OA	—	SPI0C_SS3	QEI	Low-Power Timer1 Port Map A Output; SPI0 Slave Select 3; Quadrature Decoder Index Input
16	P0.24	P0.24	LPUART0A_ CTS	UART0B_R X	I2S0A_SD0	QES	Low-Power UART0 CTS; UART0 Port Map B Rx; I2S0 Serial Data Output; Quadrature Decoder Capture Input
17	P0.25	P0.25	LPUART0A_ RTS	UART0B_T X	I2S0A_LRC LK	QMATCH	Low-Power UART0 RTS; UART0 Port Map B Tx; I2S0 Left/Right Clock; Quadrature Decoder Match Output
18	P0.26	P0.26	LPUART0A_ RX	UART0B_C TS	I2S0C_BCL K	QDIR	Low-Power UART0 Rx; UART0 Port Map B CTS; I2S0 Bit Clock; Quadrature Decoder Direction Output
23	P0.27	P0.27	LPUART0A_ TX	UART0B_R TS	I2S0C_SDI	QERR	Low-Power UART0 Port Map A Tx; UART0 Port Map B Request to Send; I2S0 Port Map C Serial Data Input; Quadrature Decoder Error Output
24	P0.28	P0.28	UART1A_R X	EXT_CLK1	TMR3C_IA	—	UART1 Port Map A Receive; Timer3 Port Map C Input 32 Bits or Lower 16 Bits; External Clock Input
25	P0.29	P0.29	UART1A_T X	SPI1_SS0	TMR3C_OA	ADC_TRIG _D	UART1 Port Map A Transmit; SPI1 Port Map B Slave Select 0; Timer3 Port Map C Output 32 Bits or Lower 16 Bits; ADC Trigger Port Map D
26	P0.30	P0.30	UART1A_C TS	—	TMR3C_IA	—	UART1 Port Map A Clear to Send; Timer3 Port Map C Input 32 Bits or Lower 16 Bits
44	P0.31	P0.31	UART1A_R TS	—	TMR3C_OA	—	UART1 Port Map A Request to Send; Timer3 Port Map C Output 32 Bits or Lower 16 Bits
4	P1.0	P1.0	—	—	TMR1C_IA	—	Timer1 Port Map C Input 32 Bits or Lower 16 Bits
20	P1.1	P1.1	SPI2A_MIS O	UART0B_R X	TMR3C_OA	—	SPI2 Port Map A Master In Slave Out; UART0 Port Map B Receive; Timer3 Port Map C Output 32 Bits or Lower 16 Bits

## 56 TQFN

PIN	NAME	FUNCTION MODE					FUNCTION
		Primary Signal (Default)	Alternate Function 1	Alternate Function 2	Alternate Function 3	Alternate Function 4	
19	P1.2	P1.2	SPI2A_MOSI	UART0B_TX	TMR3C_IA	DIV_CLK_OUT	SPI2 Port Map A Master Out Slave In; UART0 Port Map B Transmit; Timer3 Port Map C Input 32 Bits or Lower 16 Bits; Divided_Clock_Output
22	P1.3	P1.3	SPI2A_SCK	UART0B_CTS	—	—	SPI2 Port Map A Serial Clock; UART0 Port Map B Clear to Send
21	P1.4	P1.4	SPI2A_SS0	UART0B_RTS	TMR0C_OA	ADC_TRIG_D	SPI2 Port Map A Slave Select 0; UART0 Port Map B Request to Send; Timer0 Port Map C Output 32 Bits or Lower 16 Bits; ADC Trigger Port Map D
37	P1.5	P1.5	UART2A_RX	—	—	—	UART2 Port Map A Receive
38	P1.6	P1.6	UART2A_TX	—	—	—	UART2 Port Map A Transmit
39	P1.7	P1.7	UART2A_CTS	—	—	—	UART2 Port Map A Clear to Send
40	P1.8	P1.8	UART2A_RTS	—	—	—	UART2 Port Map A Request to Send
5	P1.9	P1.9	—	—	TMR1C_OA	—	Timer1 Port Map C Output 32 Bits or Lower 16 Bits

## Detailed Description

The MAX32672 is an ultra-low-power, cost-effective, highly integrated microcontroller designed for battery-powered devices and wireless sensors. It combines a flexible and versatile power management unit with the powerful Arm Cortex-M4 processor with FPU. The device enables designs with complex sensor processing without compromising battery life. It also offers legacy designs an easy and cost-optimal upgrade path from 8- or 16-bit microcontrollers. Error correction coding (single error correction, double error detection, or SEC-DED) for flash and SRAM provides extremely reliable code execution. The device integrates 1MB of dual-bank flash memory and 200KB (160KB with ECC enabled) of SRAM to accommodate application and sensor code. A 1Msps, 12-channel, 12-bit SAR ADC is integrated for the digitization of analog sensor signals or other analog measurements.

The device features five powerful and flexible power modes. It can operate from a single-supply battery or a dual-supply typically provided by a PMIC. The I<sup>2</sup>C ports support Standard, Fast, Fast-mode Plus, and High Speed modes, operating up to 3400kbps. The SPI ports can run up to 50MHz in both master and slave mode. Four general-purpose 32-bit timers, two low-power 32-bit timers, two windowed watchdog timers, and a real-time clock (RTC) are also provided. An I<sup>2</sup>S interface provides digital audio streaming to a codec.

### Arm Cortex-M4 Processor with FPU Engine

The Arm Cortex-M4 with FPU processor combines high-efficiency signal processing functionality with low power, low cost, and ease of use.

The Arm Cortex-M4 with FPU DSP supports single instruction, multiple data (SIMD) path DSP extensions, providing:

- Four parallel 8-bit add/sub
- Floating point single precision
- Two parallel 16-bit add/sub
- Two parallel MACs
- 32- or 64-bit accumulate
- Signed, unsigned, data with or without saturation

## Memory

### Internal Flash Memory

The 1MB internal flash memory with error correction provides nonvolatile storage of program and data memory. The flash is organized in two equal sizes, physically separate banks (dual bank) to allow execute-while-write operation and facilitate "live FW upgrades."

### Internal SRAM

The internal 200KB SRAM provides low-power retention of application information in all power modes except STORAGE. The SRAM can be configured as 160KB with Error Correction Coded (ECC) SEC-DED for enhanced system reliability. The SRAM can be divided into granular banks that create a flexible SRAM retention architecture. This data retention feature is optional and is configurable. This granularity allows the application to minimize its power consumption by only retaining the essential data.

### Clocking Scheme

The internal primary oscillator (IPO) operates at a nominal frequency of 100MHz.

Optionally, the software can select one of five other oscillators depending upon power needs:

- 80kHz oscillator (INRO)
- 32.768kHz oscillator (external crystal required) (ERTC0)
- 7.3728MHz oscillator (IBRO)
- 16MHz–32MHz oscillator (external crystal required) (ERFO)
- External square-wave clocks up to 50MHz

This clock is the primary clock source for digital logic and peripherals.

An external 32.768kHz timebase is required when using the RTC. A separate external square-wave clock can be used as a source for LPTMR0/1 and LPUART0 in the Always-On domain.

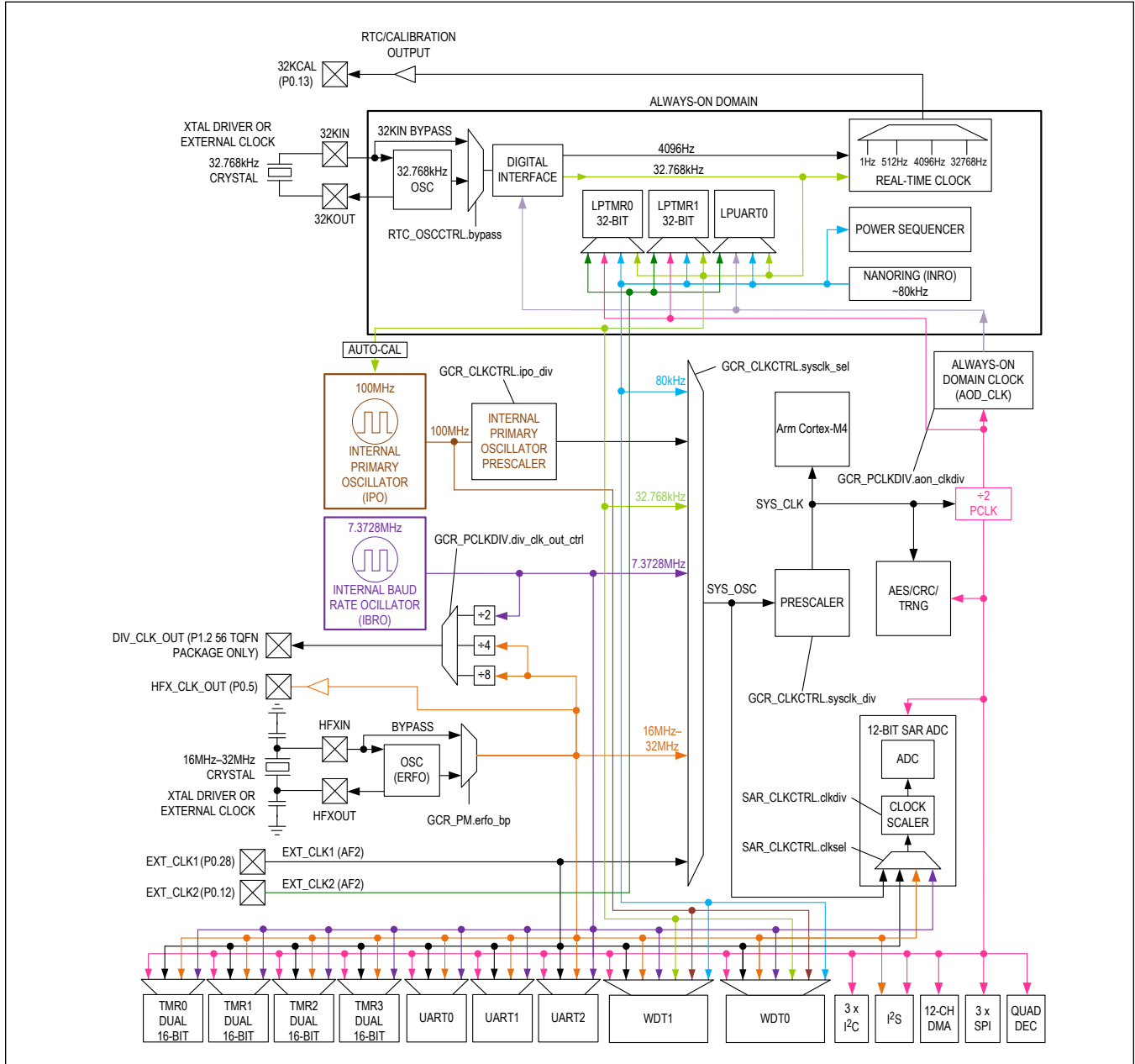


Figure 7. Clocking Scheme

**General-Purpose I/O and Special Function Pins**

Most general-purpose I/O (GPIO) pins share a firmware-controlled I/O function and one or more special function signals associated with peripheral modules. The software can individually enable pins for GPIO or peripheral special function use. Configuring a pin as a special function usually supersedes its use as a software-controlled I/O. Multiplexing between peripheral and GPIO functions is usually static but can also be done dynamically by software. The electrical characteristics of a GPIO pin are identical whether the pin is configured as an I/O or special function, except where



explicitly noted in the [Electrical Characteristics](#) tables.

In GPIO mode, each port pin has an interrupt function that can be independently enabled by software and configured as a level- or edge-sensitive interrupt. All GPIOs share the same interrupt vector. Some packages do not have all of the GPIOs available.

When configured as GPIOs, the following features are provided. These features can be independently enabled or disabled on a per-pin basis.

- Configurable as input, output, bidirectional, or high-impedance
- Optional internal pullup resistor or internal pulldown resistor when configured as input
- Exit from low-power modes on rising or falling edge
- Selectable standard- or high-drive modes

The MAX32672 provides up to 42 GPIOs. See the [Ordering Information](#) table for the specific number of GPIOs by part number.

### Standard DMA Controller

The standard direct memory access (DMA) controller provides a means to offload the CPU for memory/peripheral data transfer leading to a more power-efficient system. It allows automatic one-way data transfer between two entities. These entities can be either memories (flash or SRAM) or peripherals. The transfers are done without using CPU resources. The following transfer modes are supported:

- 12 channel
- Peripheral to memory
- Memory to peripheral
- Memory to memory
- Event support

All DMA transactions consist of an AHB burst read into the DMA FIFO followed immediately by an AHB burst write from the FIFO.

### Power Management

#### Power Management Unit

The power management unit (PMU) provides the optimal mix of high-performance and low-power consumption. It exercises intelligent, precise control of power distribution to the CPU and peripheral circuitry.

The PMU provides the following features:

- User-configurable system clock
- Automatic enabling and disabling of crystal oscillators based on power mode
- Multiple clock domains
- Fast wakeup of powered-down peripherals when activity detected

#### ACTIVE Mode

In this mode, the CPU executes software and all digital and analog peripherals are available on demand. Dynamic clocking disables local clocks in peripherals that are not in use. This mode corresponds to the Arm Cortex-M4 processor with FPU ACTIVE mode.

#### SLEEP Mode

This mode allows for lower power consumption operations than ACTIVE mode. The CPU is asleep, peripherals are on, and the standard DMA block is available. The GPIO or any active peripheral can be configured to interrupt and cause a transition to the ACTIVE mode. This mode corresponds to the Arm Cortex-M4 processor with FPU SLEEP mode.

#### DEEPSLEEP Mode

In this mode, CPU and critical peripheral configuration settings and all volatile memory are preserved.

The device status is as follows:

- CPU is powered down. System state and all SRAM is retained.
- The GPIO pins retain their state.
- The transition from DEEPSLEEP to ACTIVE mode is faster than the transition from BACKUP mode because system initialization is not required.
- The system oscillators are all disabled to provide additional power savings over SLEEP mode.
- LPUART0 and LPTMR0/1 can be active and are optional wake-up sources.

This mode corresponds to the Arm Cortex-M4 with FPU DEEPSLEEP mode.

### BACKUP Mode

This mode places the CPU in a static, low-power state. BACKUP mode supports the same wake-up sources as DEEPSLEEP mode.

The device status is as follows:

- CPU is powered down.
- SRAM retention as per [Table 1](#).
- LPUART0 and LPTMR0/1 can be active and are optional wake-up sources.

**Table 1. BACKUP Mode RAM Retention**

RAM BLOCK	SRAM SIZE	RETAINED SRAM	TYPE
SYSRAM0	20KB	18KB	16KB + 4KB ECC
SYSRAM1	20KB	14KB	16KB + 4KB ECC
SYSRAM2	80KB	80KB	64KB + 16KB ECC
SYSRAM3	80KB	80KB	64KB + 16KB ECC

**Note:** The boot ROM uses certain ranges of SRAM during a system reset, watchdog timer reset, an external reset, and exiting from BACKUP. The devices use this RAM to perform system checks. As a result, not all of each RAM can be retained during an exit from BACKUP.

### STORAGE Mode

The device status is as follows:

- CPU is powered off.
- All peripherals are powered off.
- Wake-up from GPIO interrupt.
- The RTC can be enabled by software before entering STORAGE mode.
- No SRAM retention.

### Real-Time Clock (RTC)

An RTC keeps the time of day in absolute seconds. The 32-bit seconds register can count up to approximately 136 years and be translated to calendar format by application software.

The RTC provides a time-of-day alarm programmed by software to any future value between 1 second and 12 days. When configured for long intervals, the time-of-day alarm can be used as a power-saving timer, allowing the device to remain in an extremely low-power mode but still awaken periodically to perform assigned tasks. Software can program a second independent 32-bit 1/4096 sub-second alarm between 244 $\mu$ s and 12 days. Both can be configured as recurring alarms. When enabled, either alarm can cause an interrupt or wake the device from most low-power modes.

The time base is generated by a 32.768kHz crystal or an external clock source that must meet the electrical/timing requirements in the [Electrical Characteristics](#) table.

An RTC calibration feature allows the software to compensate for minor variations in the RTC oscillator, crystal, temperature, and board layout. Enabling the 32KCAL alternate function outputs a timing signal derived from the RTC. External hardware can measure the frequency and adjust the RTC frequency in increments of  $\pm 127$ ppm with a 1ppm resolution. Under most circumstances, the oscillator does not require any calibration.

**Windowed Watchdog Timer (WDT)**

Microcontrollers are often used in harsh environments where electrical noise and electromagnetic interference (EMI) are abundant. Without proper safeguards, these hazards can disturb device operation and corrupt program execution. One of the most effective countermeasures is the windowed WDT, which detects runaway code or system unresponsiveness.

The WDT is a 32-bit, free-running counter with a configurable prescaler. When enabled, the WDT must be periodically reset by the application software. Failure to reset the WDT within the user-configurable timeout period indicates that the application software is not operating correctly and results in a WDT timeout. A WDT timeout can trigger an interrupt, system reset, or both. Either response forces the instruction pointer to a known good location before resuming instruction execution. The windowed timeout period feature provides more detailed monitoring of system operation, requiring the WDT to be reset within a specific time window.

One or more instances of the peripheral are provided, as shown in [Table 2](#). See the [Ordering Information](#) table for the specific instances available by part number.

**Table 2. MAX32672 Watchdog Timer Instances**

INSTANCE	OPERATING MODES	CLOCK SOURCE							
		PCLK	IPO	IBRO	ERFO	INRO	ERTCO	EXT_CLK1	EXT_CLK2
WDT0	ACTIVE SLEEP	YES	YES	YES	YES	YES	YES	YES	NO
WDT1	ACTIVE SLEEP	YES	YES	YES	YES	YES	YES	YES	NO

**32-Bit Timer/Counter/PWM (TMR, LPTMR)**

General-purpose, 32-bit timers provide timing, capture/compare, or generate pulse-width modulated (PWM) signals with minimal software interaction.

The timer provides the following features:

- 32-bit up/down auto-reload
- Programmable prescaler
- PWM output generation
- Capture, compare, and capture/compare capability
- External pin multiplexed with GPIO for timer input, clock gating, or capture
- Timer output pin
- TMR0-TMR3 configurable as 2 × 16-bit general-purpose timers
- Timer interrupt

The MAX32672 provides six 32-bit timers (TMR0, TMR1, TMR2, TMR3, LPTMR0, LPTMR1). The LPTMR0 and LPTMR1 are capable of operation in the SLEEP, DEEPSLEEP, and BACKUP low-power modes.

The I/O functionality is supported for all of the timers. Note that the function of a port can be multiplexed with other functions on the GPIO pins, so it might not be possible to use all the ports depending on the device configuration. One or more instances of the peripheral are provided, as shown in [Table 3](#).

See the [Ordering Information](#) table for the specific instances available by part number.

**Table 3. MAX32672 Timer Instances**

INSTANCE	SINGLE 32-BIT	DUAL 16-BIT	OPERATING MODES	CLOCK SOURCE						
				PCLK	IBRO	ERFO	INRO	ERTCO	EXT_CLK1	EXT_CLK2
TMR0	YES	YES	ACTIVE	YES	YES	YES	NO	NO	YES	NO
TMR1	YES	YES	ACTIVE	YES	YES	YES	NO	NO	YES	NO
TMR2	YES	YES	ACTIVE	YES	YES	YES	NO	NO	YES	NO
TMR3	YES	YES	ACTIVE	YES	YES	YES	NO	NO	YES	NO
LPTMR0	YES	NO	ACTIVE SLEEP	AOD_CLK	NO	NO	YES	YES	NO	YES

**Table 3. MAX32672 Timer Instances (continued)**

INSTANCE	SINGLE 32-BIT	DUAL 16-BIT	OPERATING MODES	CLOCK SOURCE						
				PCLK	IBRO	ERFO	INRO	ERTCO	EXT_CLK1	EXT_CLK2
			DEEPSLEEP BACKUP	NO						
LPTMR1	YES	NO	ACTIVE SLEEP	AOD_CLK	NO	NO	YES	YES	NO	YES
			DEEPSLEEP BACKUP	NO						

## Serial Peripherals

### I<sup>2</sup>C Interface

The I<sup>2</sup>C interface is a bidirectional, two-wire serial bus that provides a medium-speed communications network. It can operate as a one-to-one, one-to-many, or many-to-many communications medium. The I<sup>2</sup>C master/slave interfaces to a wide variety of I<sup>2</sup>C-compatible peripherals. These engines support standard-mode, fast-mode, fast-mode plus, and high-speed mode I<sup>2</sup>C speeds. It provides the following features:

- Master or slave mode operation
  - Supports up to four different slave addresses in slave mode
- Supports standard 7-bit addressing or 10-bit addressing
- RESTART condition
- Interactive receive mode
- Transmit FIFO preloading
- Support for clock stretching to allow slower slave devices to operate on higher speed busses
- Multiple transfer rates
  - Standard mode: 100kbps
  - Fast mode: 400kbps
  - Fast mode plus: 1000kbps
  - High-speed mode: 3400kbps
- Internal filter to reject noise spikes
- Receive FIFO depth of 8 bytes
- Transmit FIFO depth of 8 bytes

One or more instances of the peripheral are provided, as shown in [Table 4](#). See the [Ordering Information](#) table for the specific instances available by part number.

**Table 4. MAX32672 I<sup>2</sup>C Instances**

INSTANCE	POWER MODES
I2C0	ACTIVE SLEEP
I2C1	ACTIVE SLEEP
I2C2	ACTIVE SLEEP

### Serial Peripheral Interface (SPI)

The SPI is a highly configurable, flexible, and efficient synchronous interface between multiple SPI devices on a single bus. The bus uses a single clock signal and multiple data signals and one or more slave select lines to address only the intended target device. The SPI operates independently and requires minimal processor overhead.

The provided SPI peripherals can operate in either slave or master mode and provide the following features:

- SPI modes 0, 1, 2, and 3 for single-bit communication

- 3- or 4-wire mode for single-bit slave device communication
- Full-duplex operation in single-bit, 4-wire mode
- Multimaster mode fault detection
- Programmable interface timing
- Programmable SCK frequency and duty cycle
- 32-byte transmit and receive FIFOs
- Slave select assertion and deassertion timing relative to leading/trailing SCK edge

One or more instances of the peripheral are provided, as shown in [Table 5](#). See the [Ordering Information](#) table for the specific instances available by part number.

**Table 5. MAX32672 SPI Instances**

INSTANCE	DATA	SLAVE SELECT LINES	MAXIMUM FREQUENCY (MASTER MODE) (MHz)	MAXIMUM FREQUENCY (SLAVE MODE) (MHz)
SPI0	3 wire, 4 wire	4	50	50
SPI1	3 wire, 4 wire	1	50	50
SPI2	3 wire, 4 wire	1	50	50

## I<sup>2</sup>S Interface

The I<sup>2</sup>S interface is a bidirectional, 4-wire serial bus that provides serial communications for codecs and audio amplifiers compliant with the I<sup>2</sup>S Bus Specification, June 5, 1996. It provides the following features:

- Slave mode operation
- 8-, 16-, 24-, and 32-bit frames
- Receive and transmit DMA support
- Wakeup on FIFO status (full/empty/threshold)
- Pulse density modulation support for the receive channel
- Word select polarity control
- First-bit position selection
- Interrupts generated for FIFO status
- Receiver FIFO depth of 32 bytes
- Transmitter FIFO depth of 32 bytes

The MAX32672 provides one instance of the I<sup>2</sup>S peripheral (I2S0).

## UART

The universal asynchronous receiver-transmitter (UART, LPUART) interface supports full-duplex asynchronous communication with optional hardware flow control (HFC) modes to prevent data overruns. If HFC mode is enabled on a given port, the system uses two extra pins to implement the industry-standard request-to-send (RTS) and clear-to-send (CTS) flow control signaling. Each LPUART is individually programmable.

- 2-wire interface or 4-wire interface with flow control
- 8-byte send/receive FIFO
- Full-duplex operation for asynchronous data transfers
- Interrupts available for frame error, parity error, CTS, receive FIFO overrun, and FIFO full/partially full conditions
- Automatic parity and frame error detection
- Independent baud-rate generator
- Programmable 9th-bit parity support
- Multidrop support
- Start/stop bit support
- Hardware flow control using RTS/CTS
- Two DMA channels can be connected (read and write FIFOs)
- Programmable word size (5 bits to 8 bits)

LPUART0 is capable of operation in SLEEP, DEEPSLEEP, and BACKUP low-power modes.

One or more instances of the peripheral are provided, as shown in [Table 6](#). See the [Ordering Information](#) table for the specific instances available by part number.

**Table 6. MAX32672 UART Instances**

INSTANCE	MODE	CLOCK SOURCE						
		PCLK	IBRO	ERFO	INRO	ERTCO	EXT_CLK1	EXT_CLK2
UART0	ACTIVE	YES	YES	YES	NO	NO	YES	NO
UART1	ACTIVE	YES	YES	YES	NO	NO	YES	NO
UART2	ACTIVE	YES	YES	YES	NO	NO	YES	NO
LPUART0	ACTIVE SLEEP	AOD_CLK	NO	NO	YES	YES	NO	YES
	DEEPSLEEP BACKUP	NO						

### Quadrature Decoder

The quadrature decoder converts rotational information derived from optical or magnetic encoders to counts representing a shaft's angle and rotational velocity.

The following features are provided:

- x1, x2, and x4 mode selection
- 32-bit counter
- Index input
- Rotational direction and error outputs
- On-chip deglitch filters

The MAX32672 provides one instance of the quadrature decoder (QDEC).

### Analog-to-Digital Converter (ADC)

The 12-bit SAR ADC provides an integrated reference generator and a single-ended input multiplexer. The multiplexer selects an input channel from one of the 12 external analog input signals (AIN0–AIN11), the internal power supply inputs, or an internal temperature sensor.

The reference for the ADC can be:

- External  $V_{REF}$  input
- $V_{DDA}$  analog supply

The ADC measures the following voltages:

- AIN[11:0] up to 3.3V
- $V_{DD}$
- $V_{CORE}$
- $V_{DDA}$
- Internal die temperature sensor input

### Security

#### AES

The dedicated hardware-based AES engine supports the following algorithms:

- AES-128
- AES-192
- AES-256

AES keys can be generated by the TRNG, and software can store the keys in a dedicated protected flash region. If keys are stored in the dedicated protected flash region, the keys are automatically loaded to the AES system key registers on

power-on reset and system reset. The AES key registers can not be read by software.

### Secure Cryptographic Accelerator (SCA)

This hardware accelerator is dedicated to asymmetrical cryptographic operations, specially optimized ECDSA P-256 curve cryptographic operations such as signatures and verifications. It also accelerates low-level operations such as modular addition, subtraction, multiplication, division, and scalar operations.

The following features are provided:

- ECC operations of 256, 384, and 521 bits
- Pointer-based architecture to easily access SCA memory without memory transfer overhead
- Support for Jacobian and affine coordinates
- SPA, DPA, and fault attack countermeasures
- Precalculated point support to speed ECC processing (ECDSA P-256)
- EdDSA algorithms such as Ed25519 and Ed448 can also be implemented (supported in TLS 1.3), as well as X25519
- Dedicated input for the private key

### True Random Number Generator (TRNG)

Random numbers are a vital part of a secure application, providing random numbers useable for cryptographic seeds or strong cryptography keys to ensure data privacy. Software can use random numbers to trigger asynchronous events that result in nondeterministic behavior. Random strings can be added to messages to make encryption indeterminate and therefore avoid replay attacks.

The TRNG is continuously updated by a high-quality, physically-unpredictable entropy source. It generates one random bit per cryptographic clock cycle.

The TRNG can support the system-level validation of many security standards. Contact Analog Devices for details of compliance with specific standards.

### CRC Module

A cyclic redundancy check (CRC) hardware module provides fast calculations and data integrity checks by application software. The CRC polynomial is programmable to support custom CRC algorithms, as well as the common algorithms shown in [Table 7](#).

**Table 7. Common CRC Polynomials**

ALGORITHM	POLYNOMIAL EXPRESSION
CRC-32-ETHERNET	$x^{32} + x^{26} + x^{23} + x^{22} + x^{16} + x^{12} + x^{11} + x^{10} + x^8 + x^7 + x^5 + x^4 + x^2 + x^1 + x^0$
CRC-CCITT	$x^{16} + x^{12} + x^5 + x^0$
CRC-16	$x^{16} + x^{15} + x^2 + x^0$
USB DATA	$x^{16} + x^{15} + x^2 + x^0$
PARITY	$x^1 + x^0$

### SHA-2

SHA-2 is a cryptographic hash function. It authenticates user data and verifies its integrity. It is used for digital signatures.

The device provides a hardware SHA-2 engine for fast computation of digests supporting:

- SHA-224
- SHA-256
- SHA-384
- SHA-512

### Software Integrity and Root of Trust

#### Root of Trust

On devices that support SCPBL, the root of trust starts with trusted software and the microcontroller's complement of

security features. Communications between a host and the device must be secure and authenticated, and program integrity must be verified each time before execution to ensure the device's trustworthiness. The device's root of trust is based on a secret Analog Devices root verification key and a signed customer verification key (CVK). Customers submit their public CVK, which is then signed, and a certificate is sent back to the customer. This process is quick and required only once, before the software is released for the first time, and is unnecessary during the software development. A customer can then load their own key and download their signed binary executable code.

### Secure Communications Protocol Bootloader (SCPBL)

On devices that support SCPBL, communication between a host system and the device uses a system of ECDSA-256 digitally signed packets. This guarantees the integrity and authenticity of all communication before executing configuration commands and loading or verifying program memory. One or more serial interfaces are available for communication. This also enables the assembly and programming of the customer's final product by third-party assembly houses without the required cost and complexity of ensuring that the assembly house implements and maintains a secure production facility. It also allows in-field software upgrades to deployed products, thus eliminating the costly need to return a product to the manufacturer for any software changes. The serial interfaces available for SCPBL communication are shown in [Table 8](#). Following any reset or exit from certain low-power modes, the device tests the assigned stimulus pin and, if active, begins an SCPBL session. The stimulus pin can be reassigned once an SCPBL session begins. The host can disable the bootloader interface before deployment to prevent any changes to program memory.

See the [Ordering Information](#) table for availability.

### Secure Boot

On devices that support SCPBL, the device performs a secure boot to confirm that the root of trust has not been compromised. Following every reset and exit from certain low-power modes, the secure boot verifies the digital signature of the program memory to confirm it has not been modified or corrupted, ensuring the trustworthiness of the application software. Failure to verify the digital signature transitions the device to safe mode, which prevents execution of the customer code. During the development phase, the bootloader can be reactivated and a new, trusted program memory loaded.

### Debug and Development Interface

The device provides an Arm Debug Access Port (DAP) that supports debugging during application development. The DAP enables an external debugger to access the device. The DAP is a standard Arm CoreSight™ serial wire debug (SWD) port and uses a two-pin serial interface (SWDCLK and SWDIO).

*Coresight is a trademark of Arm Limited.*



## Applications Information

### Bypass Capacitor Recommendations

The proper use of bypass capacitors reduces noise generated by the IC into the ground plane. The [Pin Descriptions](#) table indicates which pins should be connected to bypass capacitors and the appropriate ground plane.

It is recommended that one instance of a bypass capacitor should be connected to each pin/ball of the IC package. For example, if the [Pin Descriptions](#) table shows four device pins associated with voltage supply A, a separate capacitor should be connected to each pin for a total of four capacitors.

Place capacitors as close as possible to their corresponding device pins. When more than one value of capacitor is recommended per pin, the capacitors should be placed in parallel starting with the lowest value capacitor closest to the pin.

### Bootloader Activation

The SCPBL can use the interfaces shown in [Table 8](#).

**Table 8. Bootloader Activation Summary**

PART NUMBERS	BOOTLOADER INTERFACE	DEFAULT STIMULUS PIN
	UART	
MAX32672GTLBL MAX32672GTNBL	UART0A_RX/UART0A_TX	P0.10 (Active Low)

On devices that support SCPBL, the SCPBL is activated following any reset or existing certain low-power modes if the assigned stimulus pin is asserted. The design must ensure that the desired bootloader interface and stimulus pin is accessible by the host or the SCPBL cannot be activated. A different stimulus pin can be assigned once an SCPBL session has been started.

The RSTN signal must also be accessible by the host for initial synchronization with the SCPBL.

## Single Supply Operation

### ACTIVE Mode

**Table 9. Fixed  $V_{DD}$  Current Consumption ACTIVE Mode, IPO, Single Supply**

PARAMETER	SYMBOL	CONDITIONS	TYPICAL					UNITS	
			-40°C	+25°C	+55°C	+85°C	+105°C		
$V_{DD}$ Current, ACTIVE Mode	I <sub>DD_FACTS</sub>	Fixed, IPO enabled, total current into $V_{DD}$ pin, $V_{DD} = 3.3V$ , CPU in ACTIVE mode 0MHz execution, ECC disabled, inputs tied to $V_{SS}$ or $V_{DD}$ , outputs source/sink 0mA	OVR = [10], internal regulator set to 1.1V	700	890	1260	1930	2770	μA
			OVR = [01], internal regulator set to 1.0V	580	730	1020	1560	2260	
			OVR = [00], internal regulator set to 0.9V	500	620	850	1280	1860	

**Table 9. Fixed  $V_{DD}$  Current Consumption ACTIVE Mode, IPO, Single Supply (continued)**

PARAMETER	SYMBOL	CONDITIONS	TYPICAL					UNITS	
			-40°C	+25°C	+55°C	+85°C	+105°C		
		Fixed, IPO enabled, total current into $V_{DD}$ pin, $V_{DD} = 1.8V$ , CPU in ACTIVE mode 0MHz execution, ECC disabled, inputs tied to $V_{SS}$ or $V_{DD}$ , outputs source/sink 0mA	OVR = [10], internal regulator set to 1.1V	670	860	1230	1890	2870	
			OVR = [01], internal regulator set to 1.0V	560	710	1000	1530	2210	
			OVR = [00], internal regulator set to 0.9V	480	590	820	1250	1820	

**SLEEP Mode****Table 10. Fixed  $V_{DD}$  Current Consumption SLEEP Mode, IPO, Single Supply**

PARAMETER	SYMBOL	CONDITIONS	TYPICAL					UNITS	
			-40°C	+25°C	+55°C	+85°C	+105°C		
$V_{DD}$ Current, SLEEP Mode	$I_{DD\_FSLPS}$	Fixed, IPO enabled, total current into $V_{DD}$ pin, $V_{DD} = 3.3V$ , CPU in SLEEP mode, ECC disabled, inputs tied to $V_{SS}$ or $V_{DD}$ , outputs source/sink 0mA	OVR = [10], internal regulator set to 1.1V	700	890	1260	1930	2770	$\mu A$
			OVR = [01], internal regulator set to 1.0V	580	730	1020	1560	2260	
			OVR = [00], internal regulator set to 0.9V	500	620	850	1280	1860	
		Fixed, IPO enabled, total current into $V_{DD}$ pin, $V_{DD} = 1.8V$ , CPU in SLEEP mode, ECC disabled, inputs tied to $V_{SS}$ or $V_{DD}$ , outputs source/sink 0mA	OVR = [10], internal regulator set to 1.1V	670	860	1230	1890	2870	

**Table 10. Fixed  $V_{DD}$  Current Consumption SLEEP Mode, IPO, Single Supply (continued)**

PARAMETER	SYMBOL	CONDITIONS	TYPICAL					UNITS	
			-40°C	+25°C	+55°C	+85°C	+105°C		
			OVR = [01], internal regulator set to 1.0V	560	710	1000	1530	2210	
			OVR = [00], internal regulator set to 0.9V	480	590	820	1250	1820	

**ACTIVE Mode****Table 11. Fixed  $V_{DD}$  Current Consumption ACTIVE Mode, IBRO, Single Supply**

PARAMETER	SYMBOL	CONDITIONS	TYPICAL					UNITS	
			-40°C	+25°C	+55°C	+85°C	+105°C		
$V_{DD}$ Current, ACTIVE Mode	$I_{DD\_FACTS}$	Fixed, IBRO enabled, total current into $V_{DD}$ pin, $V_{DD} = 3.3V$ , CPU in ACTIVE mode 0MHz execution, ECC disabled, inputs tied to $V_{SS}$ or $V_{DD}$ , outputs source/sink 0mA	OVR = [10], internal regulator set to 1.1V	170	450	800	1450	2280	$\mu A$
			OVR = [01], internal regulator set to 1.0V	260	390	660	1180	1870	
			OVR = [00], internal regulator set to 0.9V	240	340	550	980	1540	
		Fixed, IBRO enabled, total current into $V_{DD}$ pin, $V_{DD} = 1.8V$ , CPU in ACTIVE mode 0MHz execution, ECC disabled, inputs tied to $V_{SS}$ or $V_{DD}$ , outputs source/sink 0mA	OVR = [10], internal regulator set to 1.1V	240	410	760	1400	2220	
			OVR = [01], internal regulator set to 1.0V	230	350	620	1140	1810	

**Table 11. Fixed  $V_{DD}$  Current Consumption ACTIVE Mode, IBRO, Single Supply (continued)**

PARAMETER	SYMBOL	CONDITIONS	TYPICAL					UNITS
			-40°C	+25°C	+55°C	+85°C	+105°C	
		OVR = [00], internal regulator set to 0.9V	210	310	520	940	1490	

**SLEEP Mode****Table 12. Fixed  $V_{DD}$  Current Consumption SLEEP Mode, IBRO, Single Supply**

PARAMETER	SYMBOL	CONDITIONS	TYPICAL					UNITS	
			-40°C	+25°C	+55°C	+85°C	+105°C		
$V_{DD}$ Current, SLEEP Mode	IDD_FSLPS	Fixed, IBRO enabled, total current into $V_{DD}$ pin, $V_{DD}$ = 3.3V, CPU in SLEEP mode, ECC disabled, inputs tied to $V_{SS}$ or $V_{DD}$ , outputs source/sink 0mA	OVR = [10], internal regulator set to 1.1V	270	450	800	1450	2280	$\mu$ A
			OVR = [01], internal regulator set to 1.0V	260	390	660	1180	1870	
			OVR = [00], internal regulator set to 0.9V	240	340	550	980	1540	
		Fixed, IBRO enabled, total current into $V_{DD}$ pin, $V_{DD}$ = 1.8V, CPU in SLEEP mode, inputs tied to $V_{SS}$ or $V_{DD}$ , outputs source/sink 0mA	OVR = [10], internal regulator set to 1.1V	240	410	760	1400	2220	
			OVR = [01], internal regulator set to 1.0V	230	350	620	1140	1810	
			OVR = [00], internal regulator set to 0.9V	210	310	520	940	1490	

**DEEPSLEEP Mode****Table 13. Fixed  $V_{DD}$  Current Consumption DEEPSLEEP Mode, Single Supply**

PARAMETER	SYMBOL	CONDITIONS	TYPICAL					UNITS	
			-40°C	+25°C	+55°C	+85°C	105°C		
$V_{DD}$ Fixed Current, DEEPSLEEP Mode	$I_{DD\_FDSLS}$	Standby state with full data retention and 200KB SRAM retained	$V_{DD} = 3.3V$	2	5.3	16.2	43.9	89	$\mu A$
		Standby state with full data retention and 200KB SRAM retained	$V_{DD} = 1.8V$	1.8	5	15.7	43.3	87.9	

**BACKUP Mode****Table 14. Fixed  $V_{DD}$  Current Consumption BACKUP Mode, Single Supply**

PARAMETER	SYMBOL	CONDITIONS	TYPICAL					UNITS	
			-40°C	+25°C	+55°C	+85°C	+105°C		
$V_{DD}$ Fixed Current, BACKUP Mode	$I_{DD\_FBKUS}$	$V_{DD} = 3.3V$ , RTC disabled	0KB SRAM retained, retention regulator disabled	0.3	0.35	0.75	1.7	3.2	$\mu A$
			20KB SRAM retained	0.65	1.14	2.7	6.7	13.2	
			40KB SRAM retained	0.8	1.6	4.1	10.5	21	
			120KB SRAM retained	1.2	2.7	7.3	19.2	38.7	
			200KB SRAM retained	1.6	3.8	10.5	27.9	56.4	
		$V_{DD} = 1.8V$ , RTC disabled	0KB SRAM retained, retention regulator disabled	0.06	0.09	0.33	0.96	2.2	
			20KB SRAM retained	0.5	0.9	2.3	6	12.2	
			40KB SRAM retained	0.65	1.3	3.7	9.8	19.9	
			120KB SRAM retained	1	2.4	6.9	18.4	37.4	
			200KB SRAM retained	1.5	3.5	10.1	26.9	54.7	

**STORAGE Mode****Table 15. Fixed  $V_{DD}$  Current Consumption STORAGE Mode, Single Supply**

PARAMETER	SYMBOL	CONDITIONS	TYPICAL					UNITS
			-40°C	+25°C	+55°C	+85°C	105°C	
$V_{DD}$ Fixed Current, STORAGE Mode	$I_{DD\_FSTOS}$	$V_{DD} = 3.3V$	0.27	0.4	0.74	1.6	3.2	$\mu A$
		$V_{DD} = 1.8V$	0.06	0.09	0.34	0.97	2.2	

**Dual Supply Operation**

**ACTIVE Mode****Table 16. Fixed V<sub>CORE</sub> Current Consumption ACTIVE Mode, IPO, Dual Supply**

PARAMETER	SYMBOL	CONDITIONS	TYPICAL					UNITS	
			-40°C	+25°C	+55°C	+85°C	+105°C		
V <sub>CORE</sub> Fixed Current, ACTIVE Mode	I <sub>CORE_FACTD</sub>	Fixed, IPO enabled, total current into V <sub>CORE</sub> pin, CPU in ACTIVE mode 0MHz execution, ECC disabled, inputs tied to V <sub>SS</sub> or V <sub>DD</sub> , outputs source/sink 0mA	OVR = [10], V <sub>CORE</sub> set to 1.1V	240	420	750	1370	2170	μA
			OVR = [01], V <sub>CORE</sub> set to 1.0V	120	260	510	1010	1660	
			OVR = [00], V <sub>CORE</sub> set to 0.9V	44	140	300	670	1150	

**ACTIVE Mode****Table 17. Fixed V<sub>DD</sub> Current Consumption ACTIVE Mode, IPO, Dual Supply**

PARAMETER	SYMBOL	CONDITIONS	TYPICAL					UNITS	
			-40°C	+25°C	+55°C	+85°C	+105°C		
V <sub>DD</sub> Current, ACTIVE Mode	I <sub>DD_FACTD</sub>	Fixed, IPO enabled, total current into V <sub>DD</sub> pin, V <sub>DD</sub> = 3.3V, CPU in ACTIVE mode 0MHz execution, ECC disabled, inputs tied to V <sub>SS</sub> or V <sub>DD</sub> , outputs source/sink 0mA	OVR = [10], V <sub>CORE</sub> = 1.1V	400	430	450	480	510	μA
			OVR = [01], V <sub>CORE</sub> = 1.0V	400	430	450	480	510	
			OVR = [00], V <sub>CORE</sub> = 0.9V	400	430	450	480	510	
		Fixed, IPO enabled, total current into V <sub>DD</sub> pin, V <sub>DD</sub> = 1.8V, CPU in ACTIVE mode 0MHz execution, ECC disabled, inputs tied to V <sub>SS</sub> or V <sub>DD</sub> , outputs source/sink 0mA	OVR = [10], V <sub>CORE</sub> = 1.1V	380	410	430	460	490	
			OVR = [01], V <sub>CORE</sub> = 1.0V	380	410	430	460	490	
			OVR = [00], V <sub>CORE</sub> = 0.9V	380	410	430	460	490	

## SLEEP Mode

Table 18. Fixed  $V_{CORE}$  Current Consumption SLEEP Mode, IPO, Dual Supply

PARAMETER	SYMBOL	CONDITIONS	TYPICAL					UNITS	
			-40°C	+25°C	+55°C	+85°C	+105°C		
$V_{CORE}$ Current, SLEEP Mode	$I_{CORE\_FSLPD}$	Fixed, IPO enabled, total current into $V_{CORE}$ pin, CPU in SLEEP mode, ECC disabled, inputs tied to $V_{SS}$ or $V_{DD}$ , outputs source/sink 0mA	OVR = [10], $V_{CORE} = 1.1V$	240	420	750	1370	2170	$\mu A$
			OVR = [01], $V_{CORE} = 1.0V$	120	260	510	1010	1660	
			OVR = [00], $V_{CORE} = 0.9V$	44	140	300	670	1150	

## SLEEP Mode

Table 19. Fixed  $V_{DD}$  Current Consumption SLEEP Mode, IPO, Dual Supply

PARAMETER	SYMBOL	CONDITIONS	TYPICAL					UNITS	
			-40°C	+25°C	+55°C	+85°C	+105°C		
$V_{DD}$ Current, SLEEP Mode	$I_{DD\_FSLPD}$	Fixed, IPO enabled, total current into $V_{DD}$ pin, $V_{DD} = 3.3V$ , CPU in SLEEP mode, ECC disabled, inputs tied to $V_{SS}$ or $V_{DD}$ , outputs source/sink 0mA	OVR = [10], $V_{CORE} = 1.1V$	400	430	450	480	510	$\mu A$
			OVR = [01], $V_{CORE} = 1.0V$	400	430	450	480	510	
			OVR = [00], $V_{CORE} = 0.9V$	400	430	450	480	510	
		Fixed, IPO enabled, total current into $V_{DD}$ pin, $V_{DD} = 1.8V$ , CPU in SLEEP mode, ECC disabled, inputs tied to $V_{SS}$ or $V_{DD}$ , outputs source/sink 0mA	OVR = [10], $V_{CORE} = 1.1V$	380	410	430	460	490	
			OVR = [01], $V_{CORE} = 1.0V$	380	410	430	460	490	
			OVR = [00], $V_{CORE} = 0.9V$	380	410	430	460	490	

**ACTIVE Mode****Table 20. Fixed  $V_{CORE}$  Current Consumption ACTIVE Mode, IBRO, Dual Supply**

PARAMETER	SYMBOL	CONDITIONS	TYPICAL					UNITS	
			-40°C	+25°C	+55°C	+85°C	+105°C		
$V_{CORE}$ Current, ACTIVE Mode	$I_{CORE\_FACTD}$	Fixed, IBRO enabled, total current into $V_{CORE}$ pin, CPU in ACTIVE mode 0MHz execution, ECC disabled, inputs tied to $V_{SS}$ or $V_{DD}$ , outputs source/sink 0mA	OVR = [10], $V_{CORE} = 1.1V$	60	240	570	1210	1910	$\mu A$
			OVR = [01], $V_{CORE} = 1.0V$	40	180	430	940	1600	
			OVR = [00], $V_{CORE} = 0.9V$	30	120	290	660	1150	

**ACTIVE Mode****Table 21. Fixed  $V_{DD}$  Current Consumption ACTIVE Mode, IBRO, Dual Supply**

PARAMETER	SYMBOL	CONDITIONS	TYPICAL					UNITS	
			-40°C	+25°C	+55°C	+85°C	+105°C		
$V_{DD}$ Current, ACTIVE Mode	$I_{DD\_FACTD}$	Fixed, IBRO enabled, total current into $V_{DD}$ pin, $V_{DD} = 3.3V$ , CPU in ACTIVE mode 0MHz execution, ECC disabled, inputs tied to $V_{SS}$ or $V_{DD}$ , outputs source/sink 0mA	OVR = [10], $V_{CORE} = 1.1V$	155	165	175	190	210	$\mu A$
			OVR = [01], $V_{CORE} = 1.0V$	155	165	175	190	210	
			OVR = [00], $V_{CORE} = 0.9V$	155	165	175	190	210	
		Fixed, IBRO enabled, total current into $V_{DD}$ pin, $V_{DD} = 1.8V$ , CPU in ACTIVE mode 0MHz execution, ECC disabled, inputs tied to $V_{SS}$ or $V_{DD}$ , outputs source/sink 0mA	OVR = [10], $V_{CORE} = 1.1V$	128	136	144	158	179	
			OVR = [01], $V_{CORE} = 1.0V$	128	136	144	158	179	
			OVR = [00], $V_{CORE} = 0.9V$	128	136	144	158	179	



## SLEEP Mode

Table 22. Fixed  $V_{CORE}$  Current Consumption SLEEP Mode, IBRO, Dual Supply

PARAMETER	SYMBOL	CONDITIONS	TYPICAL					UNITS	
			-40°C	+25°C	+55°C	+85°C	+105°C		
$V_{CORE}$ Current, SLEEP Mode	$I_{CORE\_FSLPD}$	Fixed, IBRO enabled, total current into $V_{CORE}$ pin, CPU in SLEEP mode, ECC disabled, inputs tied to $V_{SS}$ or $V_{DD}$ , outputs source/sink 0mA	OVR = [10], $V_{CORE} = 1.1V$	60	240	570	1210	1910	$\mu A$
			OVR = [01], $V_{CORE} = 1.0V$	40	180	430	940	1600	
			OVR = [00], $V_{CORE} = 0.9V$	30	120	290	660	1150	

## SLEEP Mode

Table 23. Fixed  $V_{DD}$  Current Consumption SLEEP Mode, IBRO, Dual Supply

PARAMETER	SYMBOL	CONDITIONS	TYPICAL					UNITS	
			-40°C	+25°C	+55°C	+85°C	+105°C		
$V_{DD}$ Current, SLEEP Mode	$I_{DD\_FSLPD}$	Fixed, IBRO enabled, total current into $V_{DD}$ pin, $V_{DD} = 3.3V$ , CPU in SLEEP mode, ECC disabled, inputs tied to $V_{SS}$ or $V_{DD}$ , outputs source/sink 0mA	OVR = [10], $V_{CORE} = 1.1V$	155	165	175	190	210	$\mu A$
			OVR = [01], $V_{CORE} = 1.0V$	155	165	175	190	210	
			OVR = [00], $V_{CORE} = 0.9V$	155	165	175	190	210	
		Fixed, IBRO enabled, total current into $V_{DD}$ pin, $V_{DD} = 1.8V$ , CPU in SLEEP mode, ECC disabled, inputs tied to $V_{SS}$ or $V_{DD}$ , outputs source/sink 0mA	OVR = [10], $V_{CORE} = 1.1V$	128	136	144	158	179	
			OVR = [01], $V_{CORE} = 1.0V$	128	136	144	158	179	
			OVR = [00], $V_{CORE} = 0.9V$	128	136	144	158	179	

## DEEPSLEEP Mode

Table 24. Fixed  $V_{CORE}$  Current Consumption DEEPSLEEP Mode, Dual Supply

PARAMETER	SYMBOL	CONDITIONS	TYPICAL					UNITS
			-40°C	+25°C	+55°C	+85°C	105°C	
$V_{CORE}$ Fixed Current, DEEPSLEEP Mode	$I_{CORE\_FDSL D}$	$V_{DD} = 3.3V, V_{CORE} = 1.1V$	5.8	12.2	29	68	126	$\mu A$
		$V_{DD} = 3.3V, V_{CORE} = 0.855V$	1.5	4.6	14.7	40	79.5	
		$V_{DD} = 1.8V, V_{CORE} = 1.1V$	5.8	12.2	29	68	126	
		$V_{DD} = 1.8V, V_{CORE} = 0.855V$	1.5	4.6	14.7	40	79.5	

## DEEPSLEEP Mode

Table 25. Fixed  $V_{DD}$  Current Consumption DEEPSLEEP Mode, Dual Supply

PARAMETER	SYMBOL	CONDITIONS	TYPICAL					UNITS
			-40°C	+25°C	+55°C	+85°C	105°C	
$V_{DD}$ Fixed Current, DEEPSLEEP Mode	$I_{DD\_FDSL D}$	$V_{DD} = 3.3V, V_{CORE} = 1.1V$	0.34	0.4	0.77	1.66	3.2	$\mu A$
		$V_{DD} = 3.3V, V_{CORE} = 0.855V$	0.34	0.4	0.77	1.66	3.2	
		$V_{DD} = 1.8V, V_{CORE} = 1.1V$	0.14	0.15	0.33	0.96	2.2	
		$V_{DD} = 1.8V, V_{CORE} = 0.855V$	0.14	0.15	0.33	0.96	2.2	

## BACKUP Mode

Table 26. Fixed  $V_{CORE}$  Current Consumption BACKUP Mode, Dual Supply

PARAMETER	SYMBOL	CONDITIONS	TYPICAL					UNITS	
			-40°C	+25°C	+55°C	+85°C	+105°C		
Fixed $V_{CORE}$ Current, BACKUP Mode	$I_{CORE\_FBKUD}$	0KB SRAM retained with RTC disabled, retention regulator disabled	$V_{DD} = 3.3V, V_{CORE} = 1.1V$	0.22	0.3	1.1	3.5	7.8	$\mu A$
			$V_{DD} = 3.3V, V_{CORE} = 0.855V$	0.03	0.14	0.78	2.7	6.2	
			$V_{DD} = 1.8V, V_{CORE} = 1.1V$	0.22	0.3	1.1	3.5	7.8	
			$V_{DD} = 1.8V, V_{CORE} = 0.855V$	0.03	0.14	0.78	2.7	6.2	
		20KB SRAM retained with RTC disabled	$V_{DD} = 3.3V, V_{CORE} = 1.1V$	0.65	1.4	3.7	9.4	18.6	
			$V_{DD} = 3.3V, V_{CORE} = 0.855V$	0.15	0.55	2.1	6.2	13	
			$V_{DD} = 1.8V, V_{CORE} = 1.1V$	0.65	1.4	3.7	9.4	18.6	
			$V_{DD} = 1.8V, V_{CORE} = 0.855V$	0.15	0.55	2.1	6.2	13	

**Table 26. Fixed  $V_{CORE}$  Current Consumption BACKUP Mode, Dual Supply (continued)**

PARAMETER	SYMBOL	CONDITIONS	TYPICAL					UNITS
			-40°C	+25°C	+55°C	+85°C	+105°C	
		40KB SRAM retained with RTC disabled	$V_{DD} = 1.8V$ , $V_{CORE} = 0.855V$	0.15	0.55	2.1	6.2	13
			$V_{DD} = 3.3V$ , $V_{CORE} = 1.1V$	1.1	2.35	6.2	15.3	29.4
			$V_{DD} = 3.3V$ , $V_{CORE} = 0.855V$	0.3	0.95	3.4	9.6	19.8
			$V_{DD} = 1.8V$ , $V_{CORE} = 1.8V$	1.1	2.35	6.2	15.3	29.4
			$V_{DD} = 1.8V$ , $V_{CORE} = 0.855V$	0.3	0.95	3.4	9.6	19.8
		120KB SRAM retained with RTC disabled	$V_{DD} = 3.3V$ , $V_{CORE} = 1.1V$	2.9	5.5	12.5	28.9	54
			$V_{DD} = 3.3V$ , $V_{CORE} = 0.855V$	0.69	2	6.3	17.5	35.4
			$V_{DD} = 1.8V$ , $V_{CORE} = 1.1V$	2.9	5.5	12.5	28.9	54
			$V_{DD} = 1.8V$ , $V_{CORE} = 0.855V$	0.69	2	6.3	17.5	35.4
		200KB SRAM retained with RTC disabled	$V_{DD} = 3.3V$ , $V_{CORE} = 1.1V$	4.6	8.6	18.8	42.4	79
			$V_{DD} = 3.3V$ , $V_{CORE} = 0.855V$	1.1	3.1	9.3	25.3	51
			$V_{DD} = 1.8V$ , $V_{CORE} = 1.1V$	4.6	8.6	18.8	42.4	79
			$V_{DD} = 1.8V$ , $V_{CORE} = 0.855V$	1.1	3.1	9.3	25.3	51

**BACKUP Mode****Table 27. Fixed  $V_{DD}$  Current Consumption BACKUP Mode, Dual Supply**

PARAMETER	SYMBOL	CONDITIONS	TYPICAL					UNITS	
			-40°C	+25°C	+55°C	+85°C	+105°C		
Fixed $V_{DD}$ Current, BACKUP Mode	$I_{DD\_FBKUD}$	0KB SRAM retained with RTC disabled, retention regulator disabled	$V_{DD} = 3.3V$ , $V_{CORE} = 1.1V$	0.32	0.4	0.76	1.7	3.2	$\mu A$

**Table 27. Fixed  $V_{DD}$  Current Consumption BACKUP Mode, Dual Supply (continued)**

PARAMETER	SYMBOL	CONDITIONS	TYPICAL					UNITS
			-40°C	+25°C	+55°C	+85°C	+105°C	
			$V_{DD} = 3.3V$ , $V_{CORE} = 0.855V$	0.32	0.4	0.76	1.7	3.2
			$V_{DD} = 1.8V$ , $V_{CORE} = 1.1V$	0.14	0.16	0.34	0.97	2.2
			$V_{DD} = 1.8V$ , $V_{CORE} = 0.855V$	0.14	0.16	0.34	0.97	2.2
		20KB SRAM retained with RTC disabled	$V_{DD} = 3.3V$ , $V_{CORE} = 1.1V$	0.32	0.4	0.76	1.7	3.2
			$V_{DD} = 3.3V$ , $V_{CORE} = 0.855V$	0.32	0.4	0.76	1.7	3.2
			$V_{DD} = 1.8V$ , $V_{CORE} = 1.1V$	0.14	0.16	0.34	0.97	2.2
			$V_{DD} = 1.8V$ , $V_{CORE} = 0.855V$	0.14	0.16	0.34	0.97	2.2
		40KB SRAM retained with RTC disabled	$V_{DD} = 3.3V$ , $V_{CORE} = 1.1V$	0.32	0.4	0.76	1.7	3.2
			$V_{DD} = 3.3V$ , $V_{CORE} = 0.855V$	0.32	0.4	0.76	1.7	3.2
			$V_{DD} = 1.8V$ , $V_{CORE} = 1.8V$	0.14	0.16	0.34	0.97	2.2
			$V_{DD} = 1.8V$ , $V_{CORE} = 0.855V$	0.14	0.16	0.34	0.97	2.2
		120KB SRAM retained with RTC disabled	$V_{DD} = 3.3V$ , $V_{CORE} = 1.1V$	0.32	0.4	0.76	1.7	3.2
			$V_{DD} = 3.3V$ , $V_{CORE} = 0.855V$	0.32	0.4	0.76	1.7	3.2
			$V_{DD} = 1.8V$ , $V_{CORE} = 1.1V$	0.14	0.16	0.34	0.97	2.2
			$V_{DD} = 1.8V$ , $V_{CORE} = 0.855V$	0.14	0.16	0.34	0.97	2.2
		200KB SRAM retained with RTC disabled		$V_{DD} = 3.3V$ , $V_{CORE} = 1.1V$	0.32	0.4	0.76	1.7

**Table 27. Fixed  $V_{DD}$  Current Consumption BACKUP Mode, Dual Supply (continued)**

PARAMETER	SYMBOL	CONDITIONS	TYPICAL					UNITS
			-40°C	+25°C	+55°C	+85°C	+105°C	
		$V_{DD} = 3.3V$ , $V_{CORE} = 0.855V$	0.32	0.4	0.76	1.7	3.2	
		$V_{DD} = 1.8V$ , $V_{CORE} = 1.1V$	0.14	0.16	0.34	0.97	2.2	
		$V_{DD} = 1.8V$ , $V_{CORE} = 0.855V$	0.14	0.16	0.34	0.97	2.2	

**STORAGE Mode****Table 28. Fixed  $V_{CORE}$  Current Consumption STORAGE Mode, Dual Supply**

PARAMETER	SYMBOL	CONDITIONS	TYPICAL					UNITS
			-40°C	+25°C	+55°C	+85°C	105°C	
$V_{CORE}$ Fixed Current, STORAGE Mode	$I_{DD\_FSTOD}$	$V_{DD} = 3.3V$ , $V_{CORE} = 1.1V$	0.21	0.29	1.1	3.5	7.8	$\mu A$
		$V_{DD} = 3.3V$ , $V_{CORE} = 0.855V$	0.03	0.15	0.78	2.7	6.2	
		$V_{DD} = 1.8V$ , $V_{CORE} = 1.1V$	0.21	0.29	1.1	3.5	7.8	
		$V_{DD} = 1.8V$ , $V_{CORE} = 0.855V$	0.03	0.15	0.78	2.7	6.2	

**STORAGE Mode****Table 29. Fixed  $V_{DD}$  Current Consumption STORAGE Mode, Dual Supply**

PARAMETER	SYMBOL	CONDITIONS	TYPICAL					UNITS
			-40°C	+25°C	+55°C	+85°C	105°C	
$V_{DD}$ Fixed Current, STORAGE Mode	$I_{DD\_FSTOD}$	$V_{DD} = 3.3V$ , $V_{CORE} = 1.1V$	0.3	0.4	0.74	1.6	3.2	$\mu A$
		$V_{DD} = 1.8V$ , $V_{CORE} = 0.855V$	0.3	0.4	0.74	1.6	3.2	
		$V_{DD} = 3.3V$ , $V_{CORE} = 1.1V$	0.15	0.16	0.34	0.97	2.2	
		$V_{DD} = 1.8V$ , $V_{CORE} = 0.855V$	0.15	0.16	0.34	0.97	2.2	

## Ordering Information

PART NUMBER	TMR	LPTMR	I <sup>2</sup> C	SPI	UART	LPUART	CMP	ADC INPUTS	SCPBL	GPIO	PACKAGE
MAX32672GTL+	3	2	3	2	3	1	2	12	N	28	40 TQFN-EP 5mm x 5mm 0.4mm pitch
MAX32672GTL+T	3	2	3	2	3	1	2	12	N	28	40 TQFN-EP 5mm x 5mm 0.4mm pitch
MAX32672GTLBL+	3	2	3	2	3	1	2	12	Y	28	40 TQFN-EP 5mm x 5mm 0.4mm pitch
MAX32672GTLBL+T	3	2	3	2	3	1	2	12	Y	28	40 TQFN-EP 5mm x 5mm 0.4mm pitch
MAX32672GTNBL+	3	2	3	3	3	1	2	12	Y	42	56 TQFN-EP 7mm x 7mm 0.4mm pitch
MAX32672GTNBL+T	3	2	3	3	3	1	2	12	Y	42	56 TQFN-EP 7mm x 7mm 0.4mm pitch

All packages contain Quadrature Decoder (QDEC), 12-Channel DMA, I<sup>2</sup>S, SWD, 1024KB Flash with ECC, 160KB SRAM with ECC.

TMR = Timer; LPTMR = Low-Power Timer; LPUART = Low-Power UART; CMP = Comparator; SCPBL = Secure Communications Protocol Bootloader

+Denotes a lead(Pb)-free/RoHS-compliant package.

T = Tape and reel. Full reel.

## Revision History

REVISION NUMBER	REVISION DATE	DESCRIPTION	PAGES CHANGED
0	8/21	Release for Market Intro	—
1	1/22	Updated the <a href="#">General Description</a> , <a href="#">Benefits and Features</a> , and <a href="#">Simplified Block Diagram</a> . Added Continuous Package Power Dissipation and <a href="#">Package Information</a> for the 56 TQFN-EP. Added Pin Configurations and Pin Descriptions for the 56 TQFN-EP. Updated the <a href="#">Clocking Scheme</a> . Updated the Secure Communications Protocol Bootloader (SCPBL) section. Updated <a href="#">Bootloader Activation</a> Table 5. Added the 56 TQFN part numbers to the <a href="#">Ordering Information</a> .	1–2, 7, 47–52, 54, 61–62
2	5/23	Updated <a href="#">Benefits and Features</a> , <a href="#">Simplified Block Diagram</a> , <a href="#">Absolute Maximum Ratings</a> , <a href="#">Electrical Characteristics</a> , <a href="#">Pin Configuration</a> , <a href="#">Pin Descriptions</a> , <a href="#">Detailed Description</a> , <a href="#">Applications Information</a> , <a href="#">Ordering Information</a>	1, 2, 8, 9–32, 34, 36, 37, 39, 45, 46, 50, 56–64, 65–77, 78