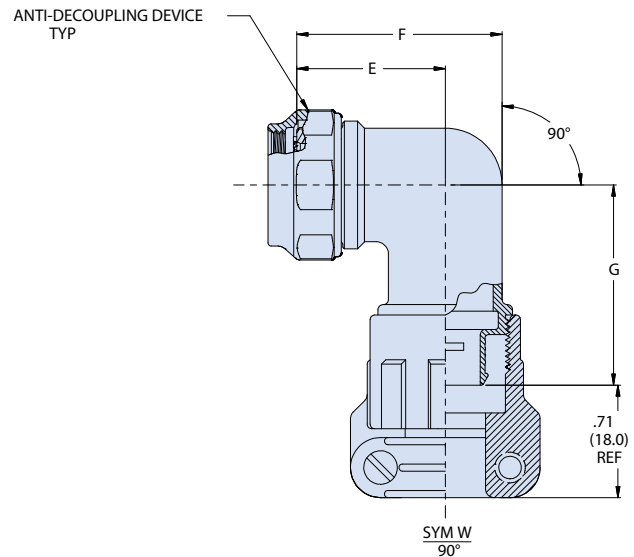
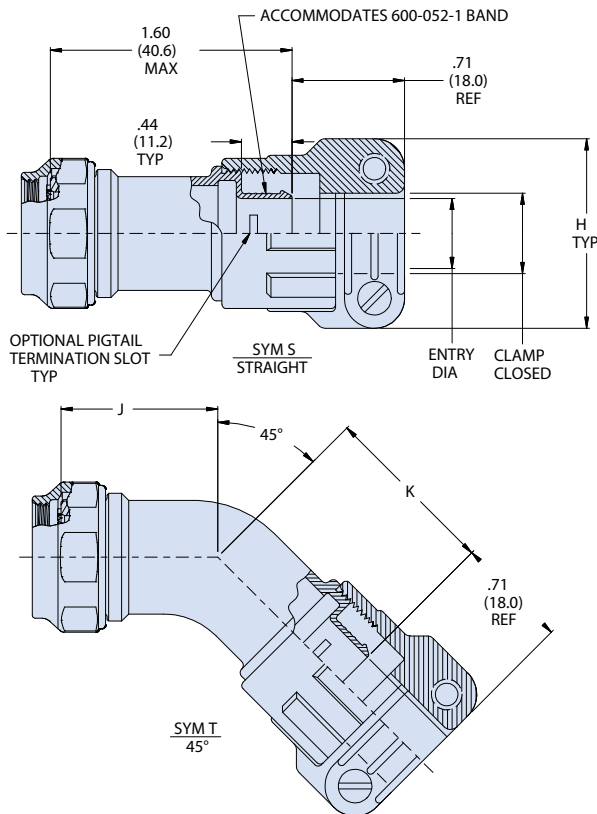
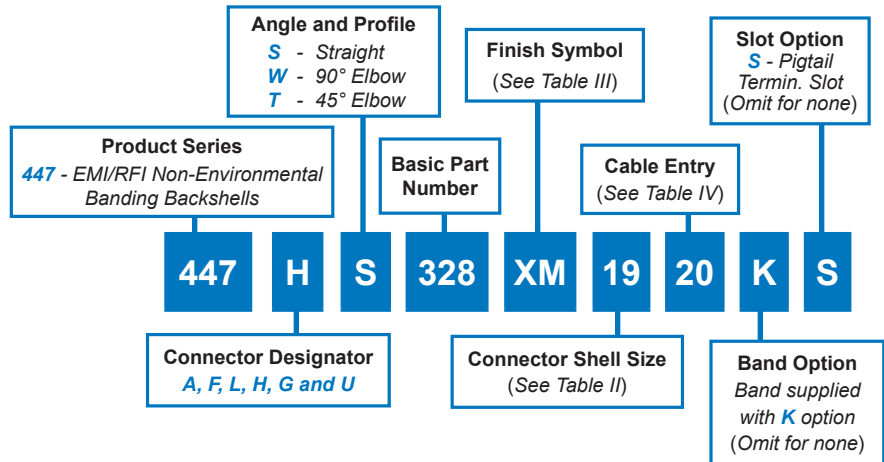


A

CONNECTOR DESIGNATOR:	
A	MIL-DTL-5015, -26482 Series II, and -83723 Series I and III
F	MIL-DTL-38999 Series I, II
L	MIL-DTL-38999 Series 1.5 (JN1003)
H	MIL-DTL-38999 Series III and IV
G	MIL-DTL-28840
U	DG123 and DG123A
SELF-LOCKING	
ROTATABLE COUPLING	
STANDARD PROFILE	



NOTES

1. Metric dimensions (mm) are in parenthesis and are for reference only.
2. Coupling nut supplied unplated.
3. See Table I in Intro for front-end dimensional details.

447-328

Composite Standard Profile EMI/RFI Band-in-a-Can Backshell with Strain-Relief Clamp and Self-Locking Rotatable Coupling


Composite
Backshells

TABLE II: CONNECTOR SHELL SIZE

Shell Size For Connector Designator*					E	F	G	J	K	Max Entry Dash No.**
A	F/L	H	G	U	±.06 (1.5)	±.09 (2.3)	Max	±.06 (1.5)	±.09 (2.3)	
08	08	09	-	-	.69 (17.5)	.88 (22.4)	1.31 (33.3)	.72 (18.3)	1.15 (29.2)	10
10	10	11	-	08	.75 (19.1)	1.00 (25.4)	1.42 (36.1)	.75 (19.1)	1.27 (32.3)	12
12	12	13	11	10	.81 (20.6)	1.13 (28.7)	1.57 (39.9)	.75 (19.1)	1.33 (33.8)	14
14	14	15	13	12	.88 (22.4)	1.31 (33.3)	1.57 (39.9)	.76 (19.3)	1.37 (34.8)	16
16	16	17	15	14	.94 (23.9)	1.38 (35.1)	1.64 (41.7)	.78 (19.8)	1.39 (35.3)	20
18	18	19	17	16	.97 (24.6)	1.44 (36.6)	1.73 (43.9)	.79 (20.1)	1.41 (35.8)	20
20	20	21	19	18	1.06 (26.9)	1.63 (41.4)	1.82 (46.2)	.82 (20.8)	1.43 (36.3)	22
22	22	23	-	20	1.13 (28.7)	1.75 (44.5)	1.82 (46.2)	.86 (21.8)	1.47 (37.3)	24
24	24	25	23	22	1.19 (30.2)	1.88 (47.8)	1.92 (48.8)	.89 (22.6)	1.50 (38.1)	32
28	-	-	25	24	1.34 (34.0)	2.13 (54.1)	2.00 (50.8)	.92 (23.4)	1.53 (38.9)	32

**Consult factory for additional entry sizes available.

A

TABLE III: FINISH

Symbol	Finish Description
XM	2000 Hour Corrosion Resistant Electroless Nickel
XMT	2000 Hour Corrosion Resistant Ni-PTFE, Nickel-Fluorocarbon Polymer. 1000 Hour Grey™
XW	2000 Hour Corrosion Resistant Cadmium/Olive Drab over Electroless Nickel

TABLE IV: CABLE ENTRY

Entry Code	H		Entry Dia.*		Clamp Closed	
	±.06 (1.5)	(1.5)	±.03 (0.8)	(0.8)	±.03 (0.8)	(0.8)
10	.94	(23.9)	.22	(5.6)	.26	(6.6)
12	1.17	(29.7)	.28	(7.1)	.34	(8.6)
14	1.28	(32.5)	.34	(8.6)	.46	(11.7)
16	1.41	(35.8)	.46	(11.7)	.55	(14.0)
18	1.50	(38.1)	.55	(14.0)	.62	(15.7)
20	1.56	(39.6)	.62	(15.7)	.70	(17.8)
22	1.69	(42.9)	.70	(17.8)	.78	(19.8)
24	1.81	(46.0)	.78	(19.8)	.85	(21.6)
28	1.91	(48.5)	.85	(21.6)	.95	(24.1)
32	2.02	(51.3)	.95	(24.1)	1.02	(25.9)

* Entry diameter equals maximum wire bundle diameter.