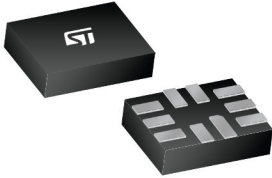
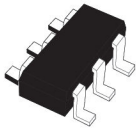


High / low side, bidirectional, zero-drift current sense amplifiers



QFN10L 1.8 x 1.4 mm



SC70-6L

[Maturity status link](#)[TSC199](#)

Features

- Wide common-mode voltage: -0.3 V to 26 V
- Offset voltage: $\pm 150 \mu\text{V}$ max.
- Gain error: 1.5% max.
- Offset drift: $0.5 \mu\text{V}/^\circ\text{C}$ max.
- Different gain available
 - TSC199A1 50 V/V
 - TSC199A2 100 V/V
 - TSC199A3 200 V/V
- Quiescent current: 100 μA max.
- SC70-6 and QFN10L (1.8 x 1.4 mm)

Applications

- Notebook computers
- Telecom equipment
- Industrial application
- Power management
- Battery chargers

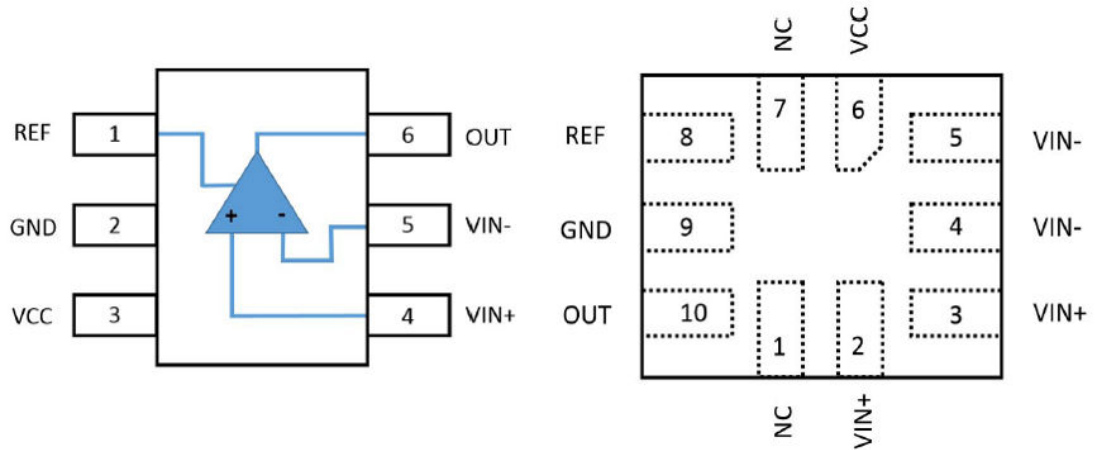
Description

TSC199 is a series of zero-drift current sense amplifiers that can sense current via a shunt resistor over a wide range of common-mode voltages from -0.3 V to +26 V, whatever the supply voltage is. It is available in three different versions, each of them having a different gain: 50 V/V, 100 V/V, and 200 V/V. TSC199 is designed with a specific zero-drift architecture, which can achieve high precision. TSC199 is able to sense very low drop voltages, as low as 10 mV full scale, minimizing measurement error.

TSC199 are current sense amplifiers that may be used in various functions like precision current measurement, overcurrent protection, current monitoring, and feedback loops.

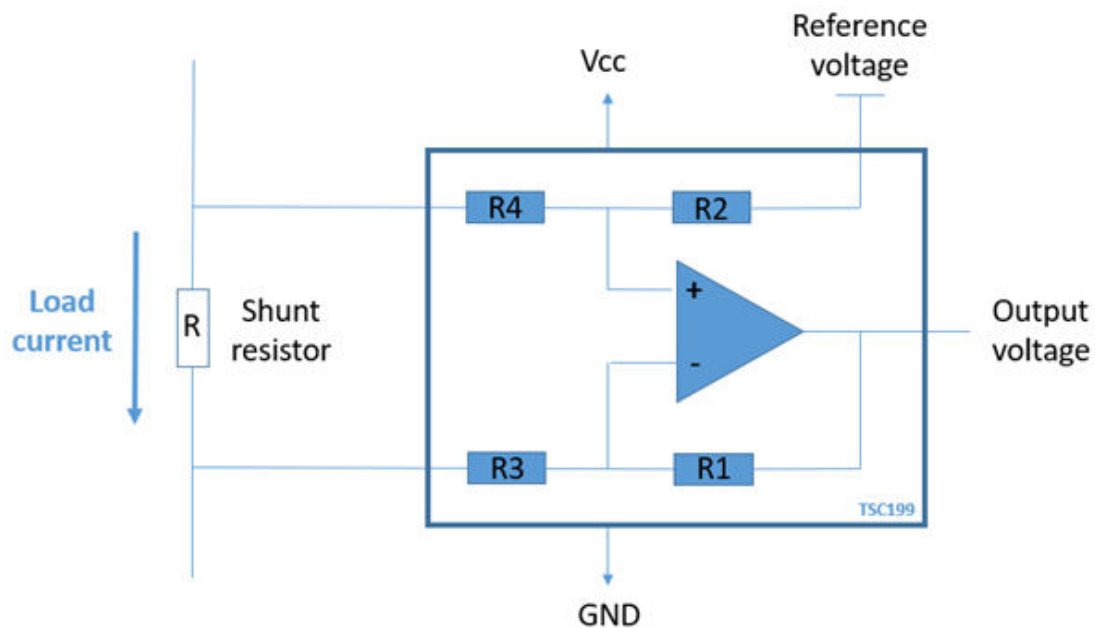
This device fully operates over the broad supply voltage range of 2.7 V to 26 V and over the industrial temperature range of -40°C to 125°C .

1 Pin connections and block diagram

Figure 1. Pin connections (top view)

Table 1. Pin description

Name	SC70-6	QFN10	Description
REF	1	8	Reference voltage input
GND	2	9	Ground
VCC	3	6	Power supply voltage
VIN+	4	2, 3	Connection to the external sense resistor
VIN-	5	4, 5	Connection to the external sense resistor
OUT	6	10	Output voltage
NC		1, 7	Not connected ⁽¹⁾

1. Pins can be left floating or connected to VCC or GND.

Figure 2. Block diagram


$$\text{Output voltage} = (\text{Rshunt} \times \text{Iload}) \times \text{Gain} + \text{Vref}$$

Table 2. Resistors and gain values

Product	R1 and R2	R3 and R4	Gain
TSC199A1	1 MΩ	20 kΩ	50
TSC199A2	1 MΩ	10 kΩ	100
TSC199A3	1 MΩ	5 kΩ	200

2 Absolute maximum ratings and operation conditions

Table 3. Absolute maximum ratings

Symbol	Parameter	Value	Unit
V_{CC}	Supply voltage ⁽¹⁾	26	V
V_{in}	Differential voltage between input pins (In+, In-)	-26 to +26	V
	Common-mode voltage on input pins	Gnd -0.3 to 26	
Ref	Reference input voltage	Gnd -0.3 to $V_{CC}+0.3$	V
I_{in}	Input current to any pin ⁽²⁾	5	mA
V_{out}	Output voltage	Gnd -0.3 to $V_{CC}+0.3$	V
T_{Lead}	Lead temperature for 10 s ⁽³⁾	260	°C
T_{stg}	Storage temperature	-65 to 150	°C
T_j	Junction temperature	150	°C
R_{th-ja}	Thermal resistance junction to ambient ^{(4) (5)}		°C/W
	QFN10L (1.8 x 1.4 x 0.5 mm)	124	
	SC70-6	232	
ESD	HBM: Human Body Model ⁽⁶⁾	2000	V
	CDM: Charged Device Model ⁽⁷⁾	1000	

1. All voltage values, except the differential voltage, are with respect to the network ground terminal.
2. Input voltage can go beyond supply voltage but input current must be limited. Using a serial resistor with the input is highly recommended in that case.
3. Reflow at peak temperature of 260 °C. Time above 255 °C must not exceed 30 s.
4. Short-circuits can cause excessive heating and destructive dissipation.
5. R_{th} are typical values.
6. According to JEDEC standard JESD22-A114F.
7. According to ANSI/ESD STM 5.3.1.

Table 4. Operating conditions

Symbol	Parameter	Value	Unit
V_{CC}	Supply voltage	2.7 to 26	V
V_{ICM}	Common-mode voltage on input pins	-0.3 to +26	V
T	Operating free-air temperature range	-40 to 125	°C

3 Electrical characteristics

Table 5. T = 25 °C, V_{CC} = 5 V, V_{IN+} = 12 V, V_{SENSE} = V_{IN+} - V_{IN-}, and V_{REF} = V_{CC} / 2 (unless otherwise specified).

Symbol	Parameter	Conditions	Min.	Typ.	Max.	Unit
Input						
V _{ICM}	Common-mode input range	-40 °C to 125 °C	-0.3		26	V
CMR	Common-mode rejection	V _{IN+} = 0 V to 26 V, V _{SENSE} = 0 mV, T _{min} < T < T _{max}	100	120		dB
V _O	Offset voltage (RTI) ⁽¹⁾	V _{SENSE} = 0 mV			±150	μV
ΔV _O / ΔT	Offset voltage variation (RTI) vs. temperature	T _{min} < T < T _{max}		0.1	0.5	μV/°C
PSR	Power supply rejection	V _{CC} = 2.7 V to 18 V V _{IN+} = 18 V, V _{SENSE} = 0 mV		0.1		μV/V
I _{IB}	Input bias current	V _{SENSE} = 0 mV		28		μA
I _{IO}	Input offset current	V _{SENSE} = 0 mV		0.02		
Output						
G	Gain	TSC199A1 TSC199A2 TSC199A3		50 100 200		V/V
E _G	Gain error	V _{SENSE} = -5 mV to +5 mV T _{min} < T < T _{max}		0.03	±1.5	%
T _G	Gain error vs. temperature	T _{min} < T < T _{max}		7	20	ppm/°C
NLE	Linearity error	V _{SENSE} = -5 mV to +5 mV		0.01		%
C _L	Maximum capacitive load	No sustained oscillation		470		pF
V _{SW+}	Output swing close to V _{CC}	R _L = 10 kΩ to Gnd T _{min} < T < T _{max}	V _{CC} - 0.2			V
V _{SW-}	Output swing close to Gnd	R _L = 10 kΩ to Gnd, T _{min} < T < T _{max}			0.05	
Dynamic performances						
BW	Bandwidth	C _L = 100 pF, TSC199A1 C _L = 100 pF, TSC199A2 C _L = 100 pF, TSC199A3		100 40 25		kHz
SR	Slew rate	C _L = 100 pF, TSC199A1 C _L = 100 pF, TSC199A2 C _L = 100 pF, TSC199A3		0.85 0.32 0.2		V/μs
Noise						
EN	Noise (RTI) ⁽¹⁾			40		nV/√Hz
Power supply						
V _{CC}	Supply voltage		2.7		26	V
I _{CC}	Quiescent current	V _{SENSE} = 0 mV T _{min} < T < T _{max}		65	100 115	μA

1. RTI stands for "related to input."

4 Package information

In order to meet environmental requirements, ST offers these devices in different grades of **ECOPACK** packages, depending on their level of environmental compliance. ECOPACK specifications, grade definitions and product status are available at: www.st.com. ECOPACK is an ST trademark.

4.1 SC70-6 package information

Figure 3. SC70-6 package outline

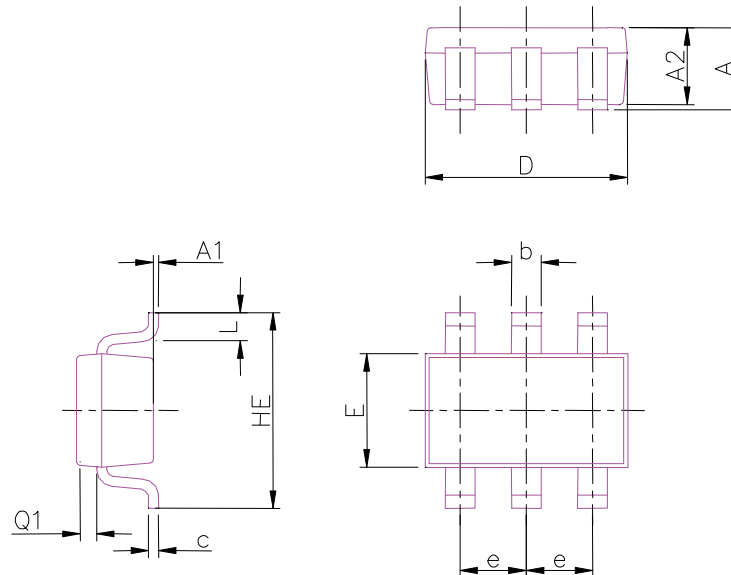
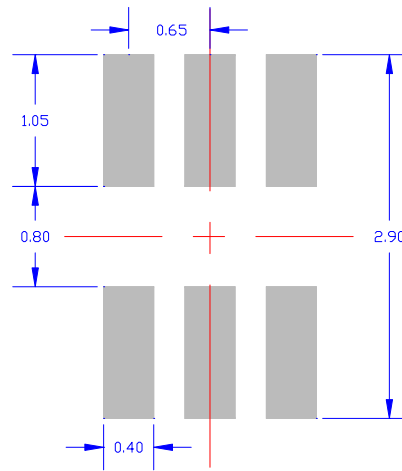


Table 6. SC70-6 mechanical data

Symbol	Millimeters			Inches ⁽¹⁾		
	Min.	Typ.	Max.	Min.	Typ.	Max.
A	0.80		1.10	0.037		0.041
A1	0		0.10	0.000		0.004
A2	0.80		1.00	0.035		0.039
b	0.15		0.30	0.008		0.010
c	0.10		0.18	0.004		0.004
D	1.80		2.20	0.078		0.086
E	1.15		1.35	0.050		0.052
e		0.65		0.025		0.026
HE	1.8		2.4	0.083		0.090
L	0.10		0.40	0.013		0.015
Q1	0.10		0.40	0.011		0.013

1. Values in inches are converted from mm and rounded to 4 decimal digits.

Figure 4. SC70-6 recommended footprint



4.2 QFN10 package information

Figure 5. QFN10 package outline

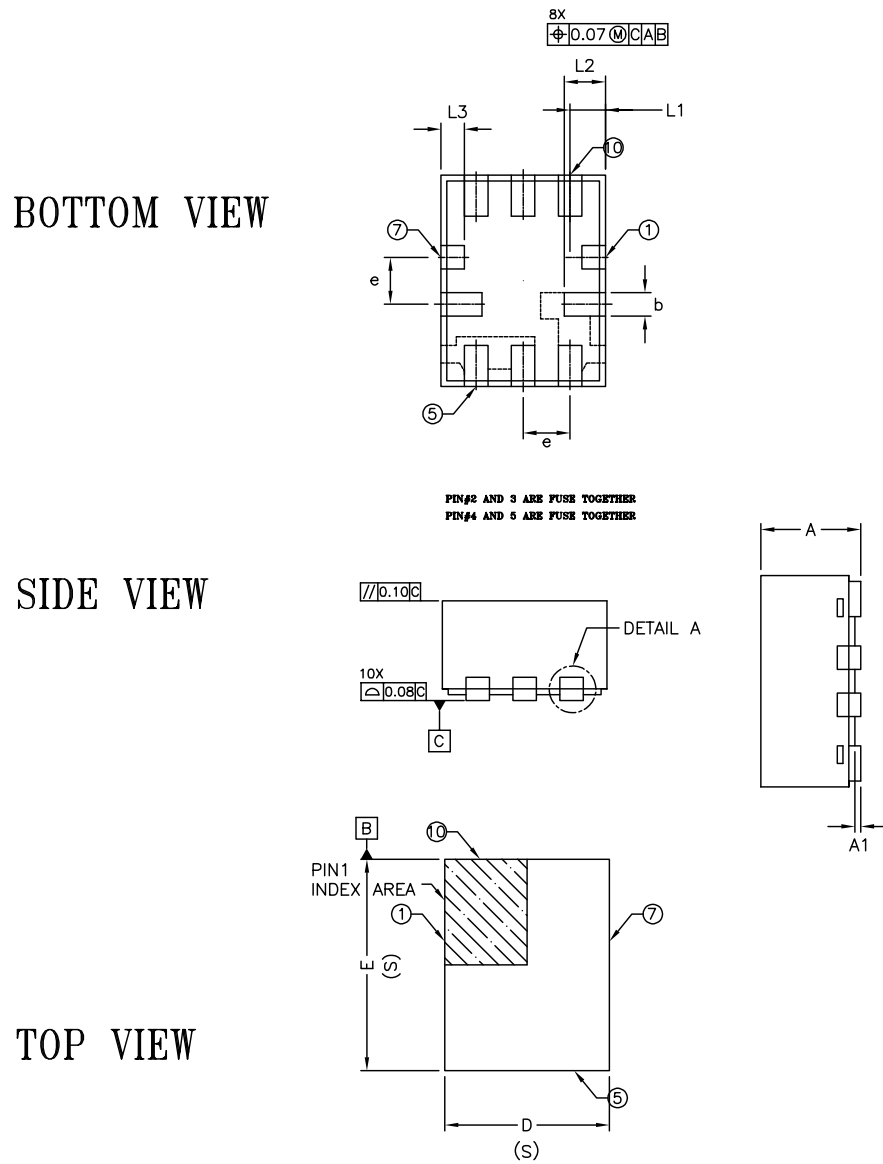


Figure 6. QFN10 detail A package outline

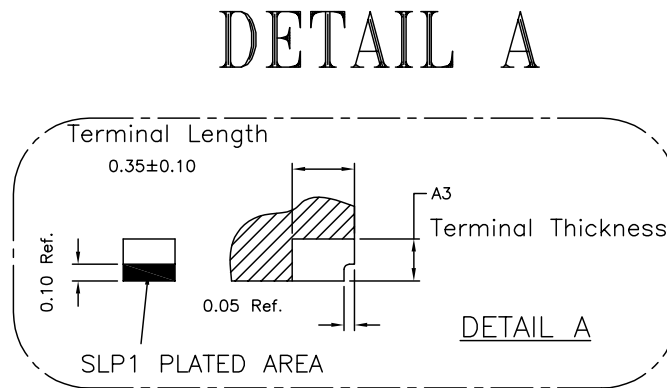
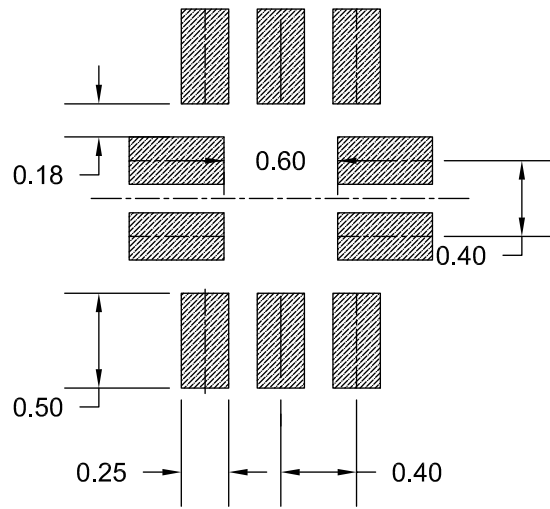


Table 7. QFN10 mechanical data

Symbol	mm		
	Min.	Typ.	Max.
A	0.70	0.75	0.80
A1	0.0		0.05
A3		0.203REF	
b	0.15	0.20	0.25
D	1.35	1.40	1.45
e		0.40 BSC	
E	1.75	1.80	1.85
L1	0.10	0.20	0.30
L2	0.25	0.35	0.45
L3	0.10	0.20	0.30

Figure 7. QFN10 recommended footprint



5 Ordering information

Table 8. Order codes

Order code	Gain (V/V)	Package	Packaging	Marking
TSC199A1ICT	50	SC70-6	Tape & reel	O1C
TSC199A1IQT		QFN10 1.8 x 1.4 mm		O1C
TSC199A2ICT	100	SC70-6		O1D
TSC199A2IQT		QFN10 1.8 x 1.4 mm		O1D
TSC199A3ICT	200	SC70-6		O1E
TSC199A3IQT		QFN10 1.8 x 1.4 mm		O1E

Revision history

Table 9. Document revision history

Date	Revision	Changes
04-Sep-2023	1	Initial release.

Contents

1	Pin connections and block diagram	2
2	Absolute maximum ratings and operation conditions	4
3	Electrical characteristics	5
4	Package information	6
4.1	SC70-6 package information	7
4.2	QFN10 package information	9
5	Ordering information	12
	Revision history	13

List of tables

Table 1.	Pin description	2
Table 2.	Resistors and gain values	3
Table 3.	Absolute maximum ratings	4
Table 4.	Operating conditions	4
Table 5.	$T = 25\text{ }^{\circ}\text{C}$, $V_{CC} = 5\text{ V}$, $V_{IN+} = 12\text{ V}$, $V_{SENSE} = V_{IN+} - V_{IN-}$, and $V_{REF} = V_{CC} / 2$ (unless otherwise specified).	5
Table 6.	SC70-6 mechanical data	7
Table 7.	QFN10 mechanical data	10
Table 8.	Order codes	12
Table 9.	Document revision history	13

List of figures

Figure 1.	Pin connections (top view)	2
Figure 2.	Block diagram	3
Figure 3.	SC70-6 package outline.	7
Figure 4.	SC70-6 recommended footprint	8
Figure 5.	QFN10 package outline	9
Figure 6.	QFN10 detail A package outline	10
Figure 7.	QFN10 recommended footprint.	11

IMPORTANT NOTICE – READ CAREFULLY

STMicroelectronics NV and its subsidiaries (“ST”) reserve the right to make changes, corrections, enhancements, modifications, and improvements to ST products and/or to this document at any time without notice. Purchasers should obtain the latest relevant information on ST products before placing orders. ST products are sold pursuant to ST’s terms and conditions of sale in place at the time of order acknowledgment.

Purchasers are solely responsible for the choice, selection, and use of ST products and ST assumes no liability for application assistance or the design of purchasers’ products.

No license, express or implied, to any intellectual property right is granted by ST herein.

Resale of ST products with provisions different from the information set forth herein shall void any warranty granted by ST for such product.

ST and the ST logo are trademarks of ST. For additional information about ST trademarks, refer to www.st.com/trademarks. All other product or service names are the property of their respective owners.

Information in this document supersedes and replaces information previously supplied in any prior versions of this document.

© 2023 STMicroelectronics – All rights reserved