

**SPECIFICATIONS**

Rated(额定参数): 300V,15A  
 Dielectric strength(抗电强度): AC2000V/1 Minute  
 Insulation Resistance(绝缘电阻):1000MΩ Min  
 Contact Resistance(接触电阻):20mΩ Max  
 Screw Torque(扭矩): 0.4Nm (3.5Lb.in)  
 Wire Range(线径):28~12AWG  
 Strip length(剥线长度):7~8mm  
 Temp. range(操作温度): -40℃~+105℃  
 MAX Soldering(瞬时温度):+250℃,5s

Housing Material(塑件): PA66 (UL94 V-0)  
 Contact(端子): Phosphor Bronze, Tin plating(磷铜镀锡)  
 Screw (螺丝): M2.5 Steel, Zinc plating(钢,镀锌)

PITCH RANGE	NOMINAL DIMENSION RANGE					
	IN MM	IN MM	IN MM	IN MM	IN MM	IN MM
OVER	OVER	OVER	OVER	OVER	OVER	OVER
TO	TO	TO	TO	TO	TO	TO
6	10	24	30	60	100	150
±0.10	±0.15	±0.25	±0.30	±0.30	±0.50	±1.00

**Ordering Information**

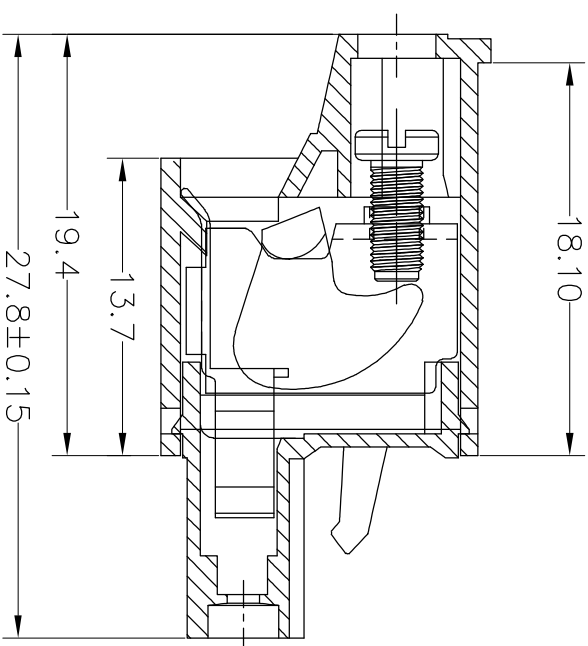
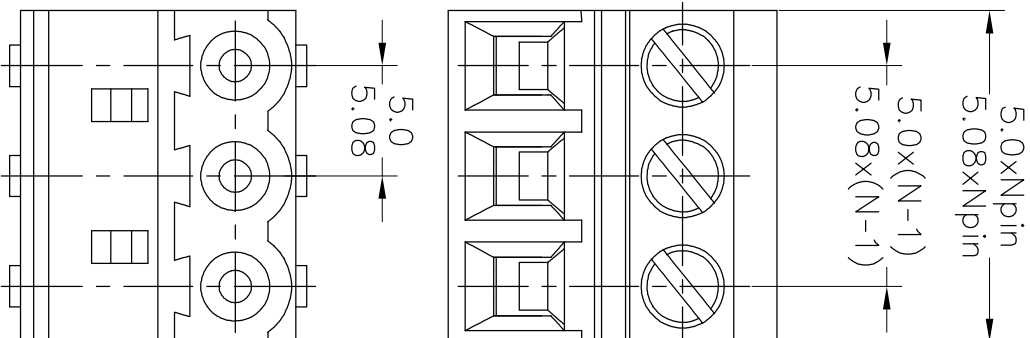
**JL2EDGKC-XXX XX G X 1**

Pitch  
500=5.00PH  
508=5.08BH

No.of pins  
2P~24P

Housing Color  
B=Black  
G=Green  
U=Blue  
R=Red  
W=White  
Y=Yellow  
O=Orange  
E=Grey

Packing  
0=Pe bog  
A=Troy  
T=Tube



REV	DATE	MODIFICATION DESCRIPTION	CHANGE	DRAW	BEN	17.01.05	SCALE	FIT	PROU.	PART NO.	TITLE:
A0	2017.01.05	NEW DRAWING		CHECK			UNIT	A4	1/1	JL2EDGKC-XXXXGX1	5.00/5.08 Pitch Female Pluggable Terminal Blocks
OPERATION	±0.30	CHECK	APPROVE			SIZE	mm	1/1			
Angle	±0.20					SHEET					
Angle	±0.10					PROU.					

**JIN** 深圳市锦凌电子有限公司  
 SHENZHEN JINLING ELECTRONIC CO.,LTD  
 Tel: 86-755-2997-5806/5802 Fax: 86-755-2997-5992