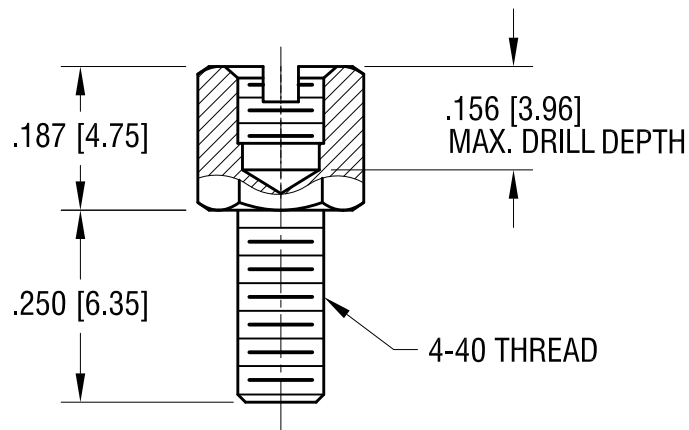
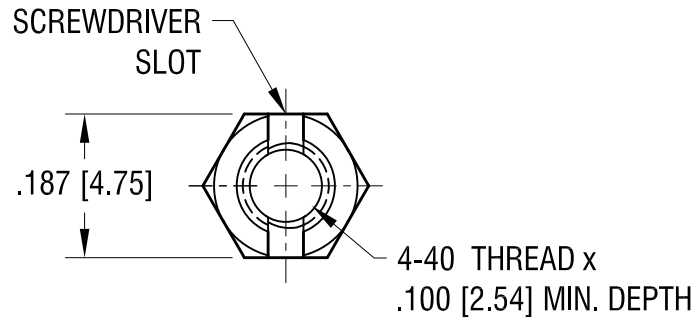


THIS DOCUMENT IS THE PROPERTY OF
KEYSTONE ELECTRONICS CORP. AND
SHALL NOT BE REPRODUCED, DISTRIBUTED
OR USED AS A BASIS FOR MANUFACTURE
WITHOUT PRIOR WRITTEN PERMISSION
FROM KEYSTONE ELECTRONICS CORP.

ACTUAL SIZE



NOTE:

1. FINISH: ZINC PLATE
AND TRIVALENT YELLOW CHROMATE

KEYSTONE ELECTRONICS CORP.

www.keyelco.com • NEW HYDE PARK, NY 11040 • Tel (516) 328-7500

PART NAME		JACK SCREW W/ SLOT	
MATERIAL		STEEL	
FINISH	AS NOTED	DRN BY BOONE	DATE 3.10.06
		APP'D RH	SCALE 4X
TOLERANCES	INCH [MM]	CODE	DWG NO.
DECIMAL	± .005 [± 0.13]	C	7270
ANGULAR	± 1°		
UNLESS OTHERWISE SPECIFIED			

12.14.23	CHANGE AS PER ECN 23-312	A
DATE	DESCRIPTION	REV.