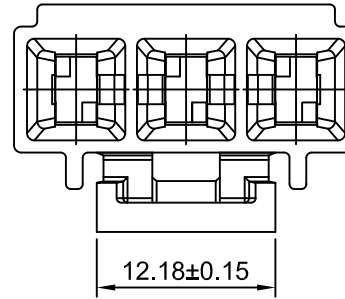
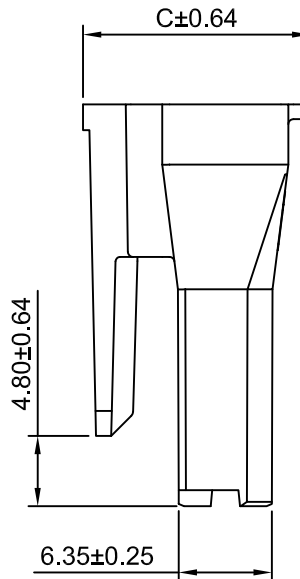
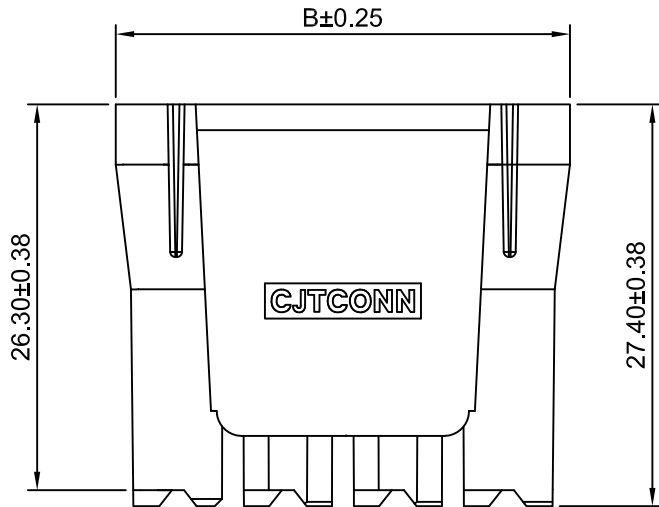


4P~6P,8P



2P~3P



Ordering Information:

A7501HFA-XP - ***
1 2

1.Part NO.

2.Material:

(Blank): Nylon 66,UL94V-0(Black)

V2: Nylon 66,UL94V-2(Natural)

GWT: Nylon 66,UL94V-0(Black),

IEC 60335-1,5th Edition

Glow Wire Capable.

SPECIFICATIONS:

Current Rating: 34A AC,DC

Voltage Rating: 600V AC,DC

Temperature Range: -40°C ~ +105°C

Contact Resistance: 10mΩ Max

Insulation Resistance: 1000MΩ Min

Withstanding Voltage: 1500V AC/minute

Ordering Information & Dimensions

Part NO.	Dimensions(mm)		
	A	B	C
A7501HFA-2P	7.50	15.98	15.24
A7501HFA-3P	15.00	23.48	15.51
A7501HFA-4P	22.50	30.98	15.51
A7501HFA-5P	30.00	38.48	15.51
A7501HFA-6P	37.50	45.98	15.51
A7501HFA-8P	52.50	60.98	15.24

CJTconn

CHANGJIANG CONNECTORS CO.,LTD.

Unit mm Scale 2:1 Sheet 1 of 1

DRWN CHK'D APPR
Dengchun Yi Diankui Wan Jack Yin

General Tolerances THIRD ANGLE PROJECTION

x.xx±0.25
x.xxx±0.20
x.xxxx±0.15

ANGLES ±1°

TITLE

7.50mm PITCH

PLUG HOUSING

DRAWING NO.

A7501HFA-XP

REV A3

REV	DESCRIPTION	DATE
A3	JL-GC-ECN00371	2024.10.09
A2	ADD THE SIZE	2020.08.10
A1	CHANGE THE SIZE	2020.03.06
A0	NEW RELEASE	2017.07.10