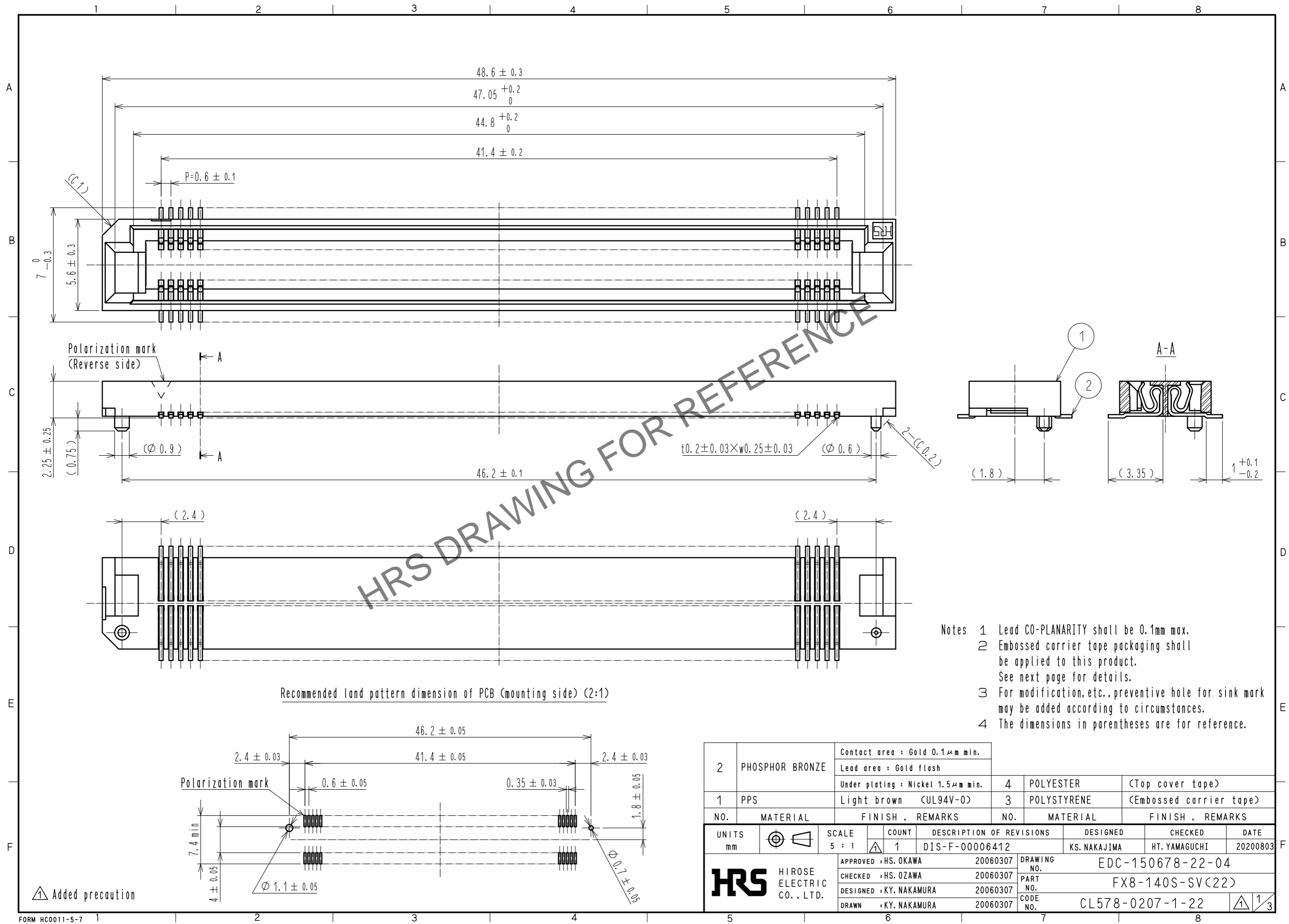


Jul.1.2024 Copyright 2024 HIROSE ELECTRIC CO., LTD. All Rights Reserved.
 In case of consideration for using Automotive equipment / device which demand high reliability, kindly contact our sales window correspondents.



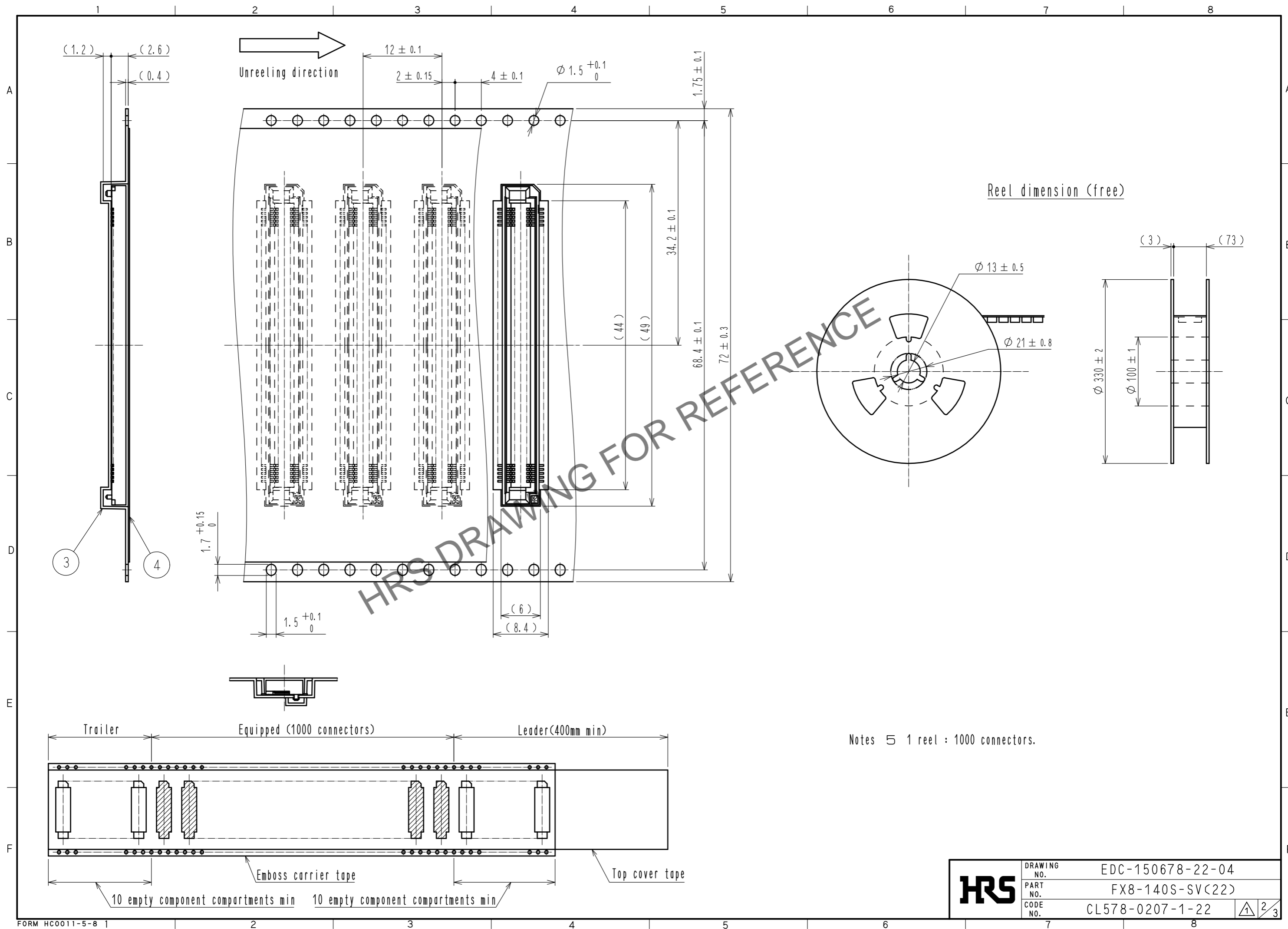
HRS DRAWING FOR REFERENCE

- Notes
- 1 Lead CO-PLANARITY shall be 0.1mm max.
 - 2 Embossed carrier tape packaging shall be applied to this product. See next page for details.
 - 3 For modification, etc., preventive hole for sink mark may be added according to circumstances.
 - 4 The dimensions in parentheses are for reference.

2	PHOSPHOR BRONZE	Contact area : Gold 0.1μm min.					
		Lead area : Gold flash					
		Under plating : Nickel 1.5μm min.	4	POLYESTER	(Top cover tape)		
1	PPS	Light brown (UL94V-0)	3	POLYSTYRENE	(Embossed carrier tape)		
NO.	MATERIAL	FINISH . REMARKS	NO.	MATERIAL	FINISH . REMARKS		
UNITS		SCALE	COUNT	DESCRIPTION OF REVISIONS		DESIGNED	CHECKED
mm		5 : 1	1	DIS-F-00006412		KS. NAKAJIMA	HT. YAMAGUCHI
				APPROVED : HS. OKAWA	20060307	DRAWING NO. EDC-150678-22-04	
				CHECKED : HS. OZAWA	20060307	PART NO. FX8-140S-SV(22)	
				DESIGNED : KY. NAKAMURA	20060307	CODE NO. CL578-0207-1-22	
				DRAWN : KY. NAKAMURA	20060307	1/3	

Added precaution

Jul.1.2024 Copyright 2024 HIROSE ELECTRIC CO., LTD. All Rights Reserved.
 In case of consideration for using Automotive equipment / device which demand high reliability, kindly contact our sales window correspondents.



HRS	DRAWING NO.	EDC-150678-22-04	
	PART NO.	FX8-140S-SV(22)	
	CODE NO.	CL578-0207-1-22	

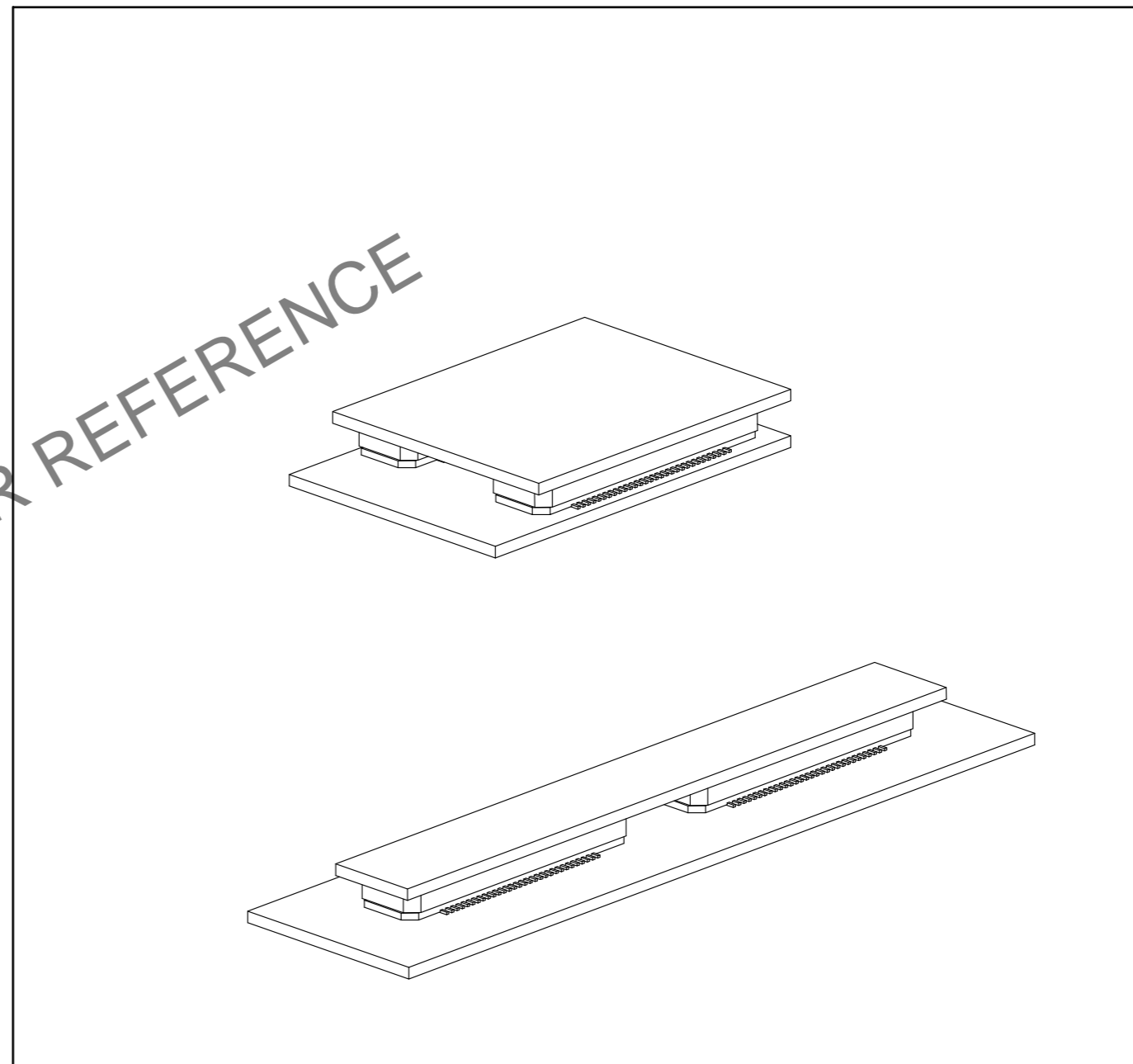
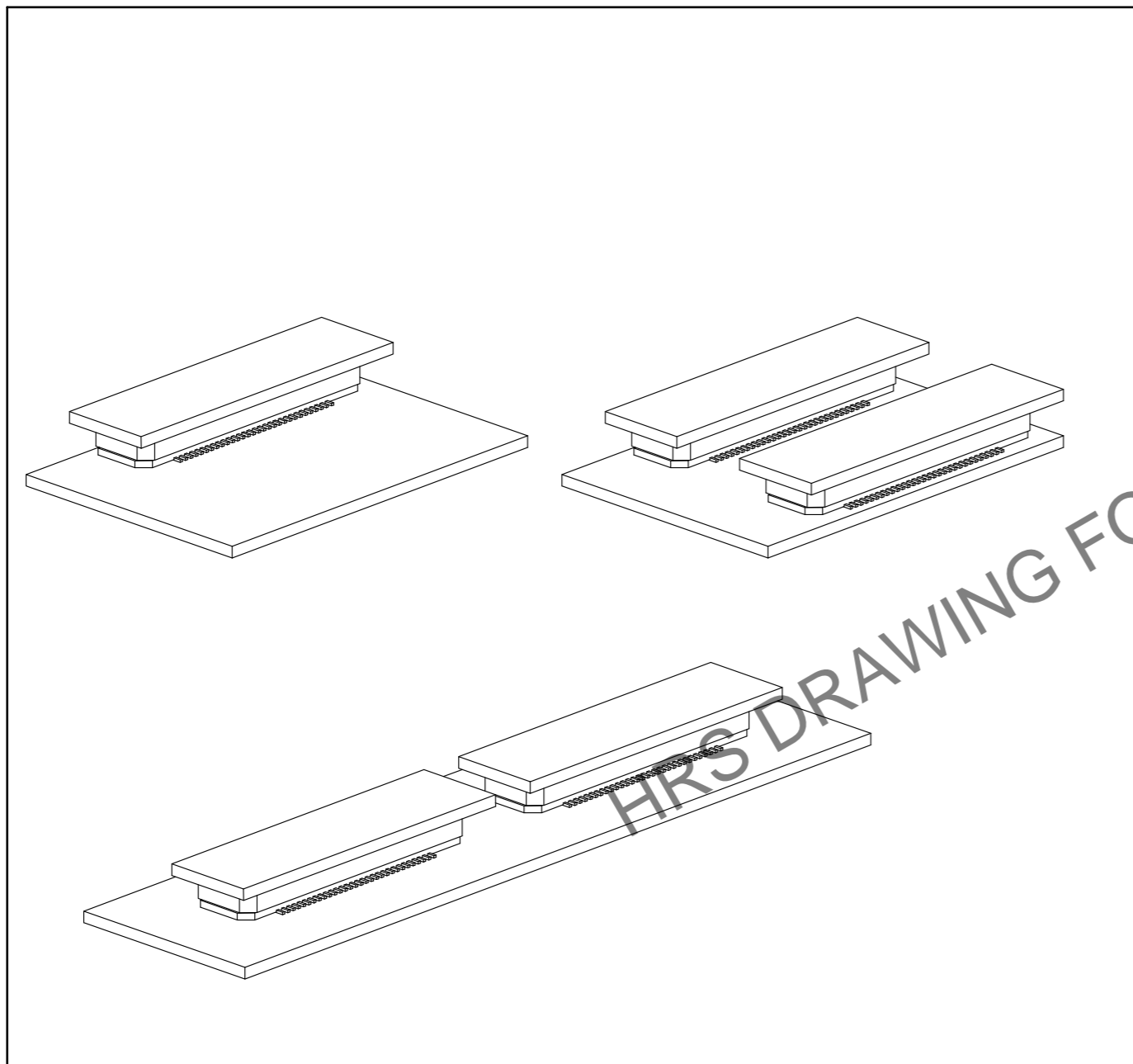
In case of consideration for using Automotive equipment / device which demand high reliability, kindly contact our sales window correspondents.

【 Precaution 】

When a board with multiple connectors mounted is mated, the connector may be damaged or deformed.
Please divide one side of the board so only one connector is mated per board.

OK

NG



HRS	DRAWING NO.	EDC-150678-22-04
	PART NO.	FX8-140S-SV(22)
	CODE NO.	CL578-0207-1-22
		⚠ 3/3