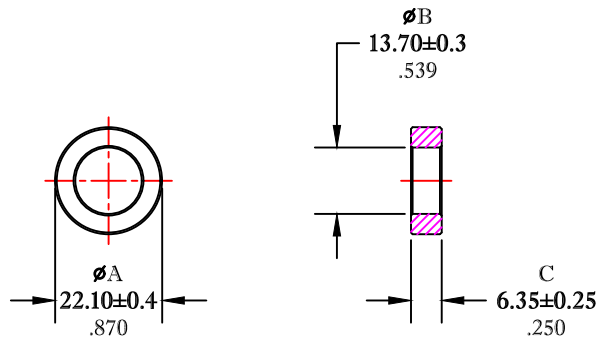


** Not all features are shown in this drawing. For more detailed information, please contact your Fair-Rite representative.

UNCONTROLLED ~CATALOG~ DRAWING

SIZE	PART NO.	REV.
B	5943001801	~



DIMENSIONS
BOLD NUMBERS ARE IN MILLIMETERS
 LIGHT NUMBERS ARE IN INCHES

NOTES:

- 1 - BURNISH TO BREAK SHARP EDGES.
- 2 - ELECTRICAL TESTS PERFORMED AS PER SOP# ELC-45.

ELECTRICAL SPECIFICATIONS

$\Sigma l/A(\text{mm}^{-1})$	l_e (mm)	A_e (mm ²)	V_e (mm ³)	L_o (nH)	A_L (nH) @10 kHz <10gauss	$\tan \delta/\mu_1$ @100 kHz <1gauss
2.0692	54.2	26.2	1416	0.607	485±20%	≤40X10E-6

FAIR-RITE PRODUCTS CORP.					
TITLE TOROID					
DRAWN BY J.SERENCIS	DATE 07-17-2018	SIZE B	PART NO. 5943001801	REV. ~	
CHKD BY					
APPRVD BY		SCALE NONE	SHEET 1 of 1		

FR# 43