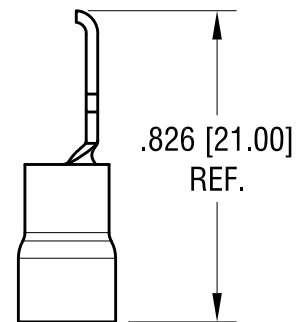
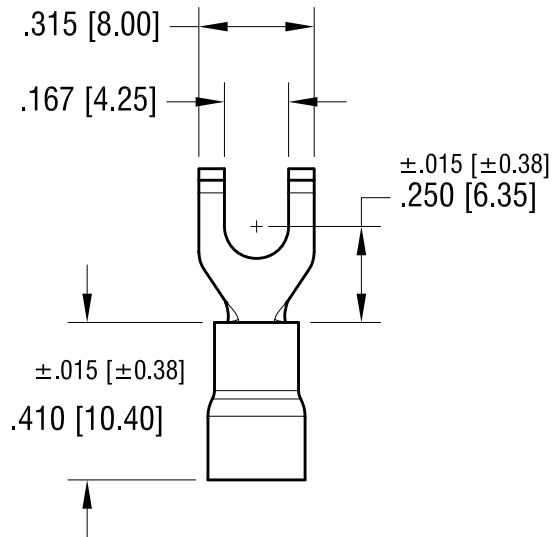
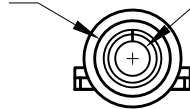


THIS DOCUMENT IS THE PROPERTY OF
KEYSTONE ELECTRONICS CORP. AND
SHALL NOT BE REPRODUCED, DISTRIBUTED
OR USED AS A BASIS FOR MANUFACTURE
WITHOUT PRIOR WRITTEN PERMISSION
FROM KEYSTONE ELECTRONICS CORP.

ACTUAL SIZE



FOR $\varnothing.170$ [$\varnothing 4.32$] MAX.
WIRE INSULATOR DIA.



$\varnothing.090$ [$\varnothing 2.29$]
TERMINAL I.D.

NOTE:

1. TERMINAL: .030 [0.76] THK COPPER, TIN PLATE
INSULATOR: VINYL, BLUE
2. ACCOMMODATES WIRE RANGE 16/14 AWG

KEYSTONE ELECTRONICS CORP.

www.keyelco.com • NEW HYDE PARK NY 11040 • Tel (516)328-7500

PART NAME

INSULATED FLANGED BLOCK SPADE TERMINAL

MATERIAL

AS NOTED

FINISH

AS NOTED

DRN BY

BOONE

DATE

10.30.07

APP'D

RH

SCALE

2X

10.23.23 CHANGE AS PER ECN 23-210

A

TOLERANCES

INCH [MM]

DECIMAL $\pm .010$ [± 0.25]

CODE

DWG NO.

ANGULAR $\pm 1^\circ$

C

UNLESS OTHERWISE SPECIFIED

8249

DATE

DESCRIPTION

REV.