

Product data sheet

Subminiature connectors



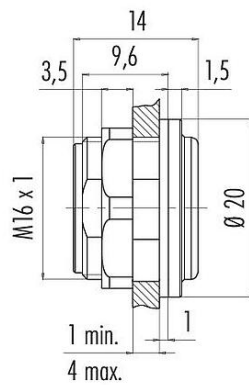
Product description **Snap-In Adapter, unshielded, screwable from the front**

Area **series 620**
Part no. **08 2629 000 001**

Illustration



Scale drawing



You can find the component part drawing and assembly instructions on the next page.

Technical data

General features

Part no.	08 2629 000 001
Connector design	Adapter
Version	Adapter
Additional information	screwable from the front
Weight (g)	4.02
Customs tariff number	85366990
Country of Origin	DE

Electrical parameters

Pollution degree	2
EMC compliance	unshielded

Material

Contact body material	PA (UL94 V-0)
REACH SVHC	CAS 7439-92-1 (Lead)
SCIP number	afa3e37b-2646-4be0-8d97-706c022b4b3b

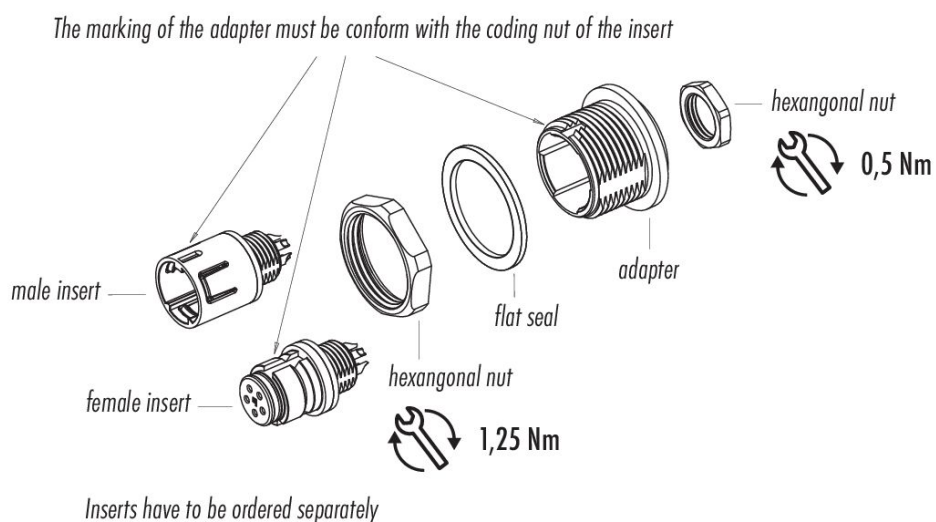
Classifications

eCl@ss 11.1	27-44-02-08
ETIM 9.0	EC002638

Product description **Snap-In Adapter, unshielded, screwable from the front**

Area **series 620**
Part no. **08 2629 000 001**

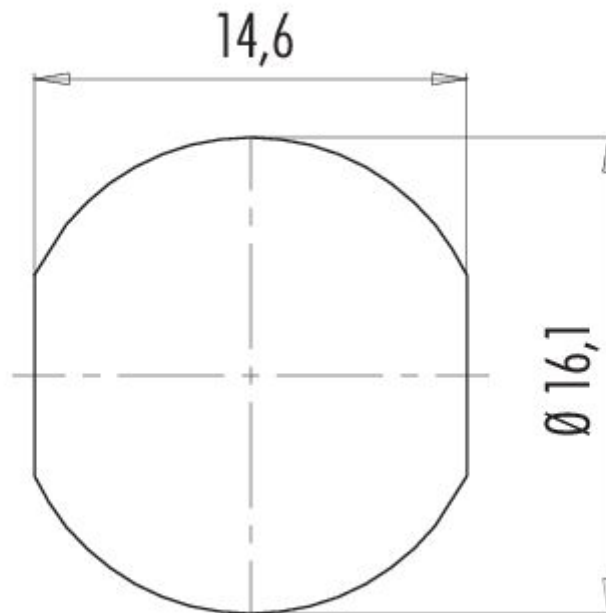
Assembly instructions



Product data sheet
Subminiature connectors

Product description	Snap-In Adapter, unshielded, screwable from the front
Area	series 620
Part no.	08 2629 000 001

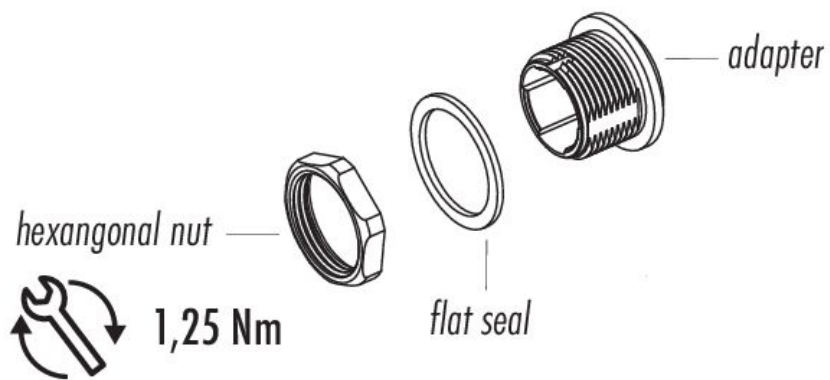
Assembly instructions / Panel cut-out



Product description **Snap-In Adapter, unshielded, screwable from the front**

Area **series 620**
Part no. **08 2629 000 001**

Component part drawing



Product description	Snap-In Adapter, unshielded, screwable from the front
Area	series 620
Part no.	08 2629 000 001

Security notices

The connector must not be plugged or unplugged under load. Non-observance and improper use can result in personal injury.

The connectors have been developed for applications in plant engineering, control and electrical equipment construction. The user is responsible for checking whether the connectors can also be used in other areas of application.

Connectors which are used in circuits with voltages dangerous to the touch may only be installed and used by, or under the supervision of, persons with electrical engineering training, taking into account the applicable regulations and standards.

The user must take suitable safety precautions to ensure that the connector cannot be accidentally disconnected.

Plug connectors with enclosure protection IP67 and IP68 are not suitable for use under water. When used outdoors, the plug connectors must be protected separately against corrosion. For further information on the IP protection classes, please refer to the "Technical Information" download centre.

The plug connector is not suitable for mains voltages. Please observe the pollution degree and the overvoltage category. For further information, please refer to the download center "Technical Information".