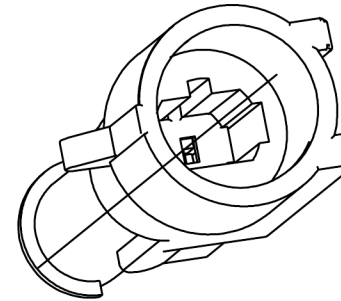
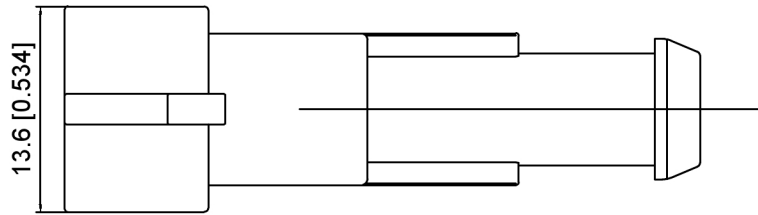


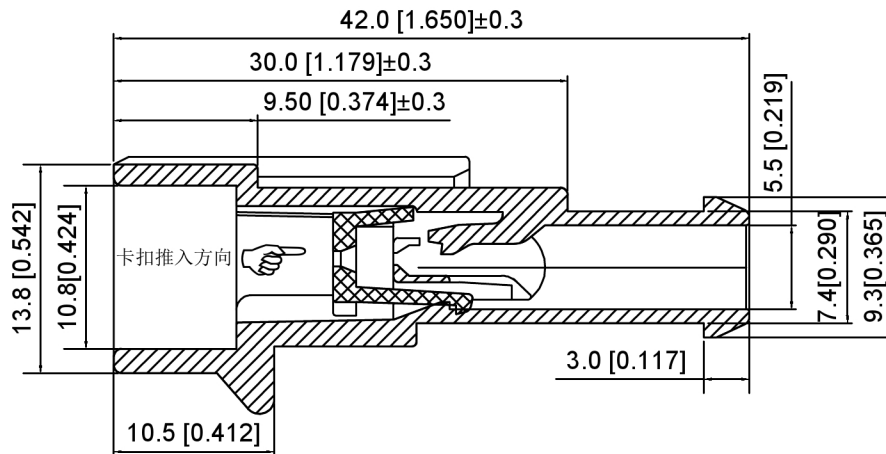
技术说明

- 1.表明光洁, 无明显缩坑与熔接痕
- 2.Current rating: 14A AC/DC  
额定电流: 14A AC/DC
- 3.工作温度: -40°C- +125°C



K 282103 H F - XX - N0  
 ① ② ③ ④ ⑤ ⑥

- 1.K: XKBTEK-Car Connector
- 2.XKB Series No
- 3.Category:H-Housing
- 4.Special No:F-Female Housing
- 5.Row No.Pin No:XX-01 Pin
- 6.Material:N0-PA66 UL94V-0



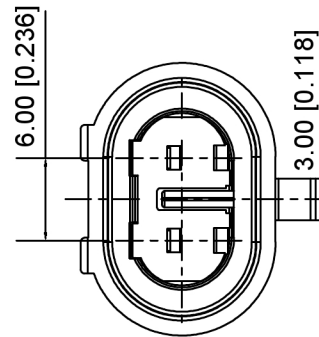
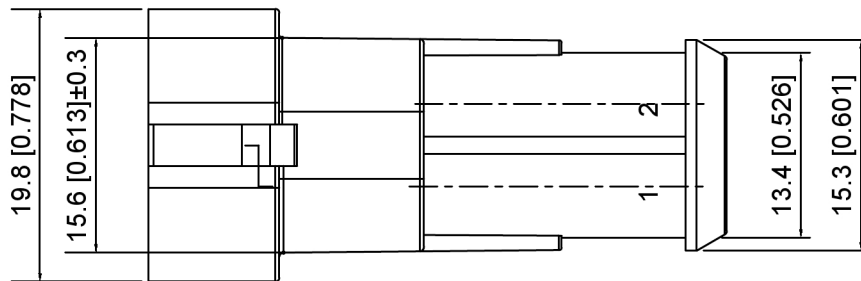
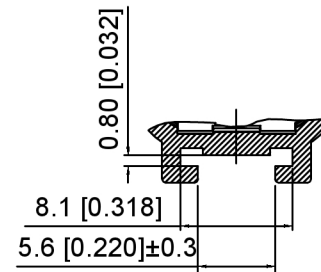
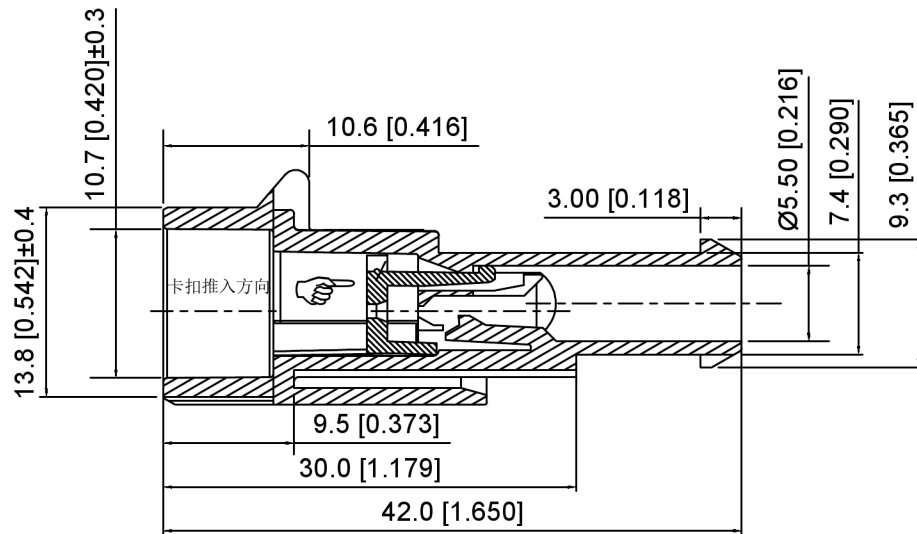
K282103HF-XX-N0	PA66	K282103HM	K282103TM
PART NO	Material	Suitable XKB Housing	Suitable XKB Terminal

DSND	SCALE: N/A	MODEL TYPE: 6.0mm Automobile connector
DWN	VIEW:	PART NO.: K282103HF-XX-N0
CHKD	UNIT: mm/in	DWG NO.: X-K282103HF-XX-N0
APPD	SIZE: A4	WEIGHT SHEET REVISION
		1/1 A0



XKB INDUSTRIAL PRECISION CO., LIMITED

ANGLAR	±5°
L ≤ 4	±0.2
4 < L ≤ 16	±0.3
16 < L ≤ 63	±0.4
L > 63	±0.5
UNSPECIFIED TOLERANCES	



技术说明

- 1.表明光洁, 无明显缩坑与熔接痕
- 2.Current rating:14A AC/DC  
额定电流: 14A AC/DC
- 3.工作温度: -40℃- +125℃

K 282103 H F - XX - N0  
 ① ② ③ ④ ⑤ ⑥

- 1.K: XKBTEK-Car Connector
- 2.XKB Series No
- 3.Category:H-Housing
- 4.Special No:F-Female Housing
- 5.Row No.Pin No:XX-02 Pin
- 6.Material:N0-PA66 UL94V-0

K282103HF-XX-N0	PA66	K282103HM	K282103TM
PART NO	Material	Suitable XKB Housing	Suitable XKB Terminal

DSND	SCALE: N/A	MODEL TYPE: 6.0mm Automobile connector
DWN	VIEW:	PART NO.: K282103HF-XX-N0
CHKD	UNIT: mm/in	DWG NO.: X-K282103HF-XX-N0
APPD	SIZE: A4	WEIGHT SHEET REVISION

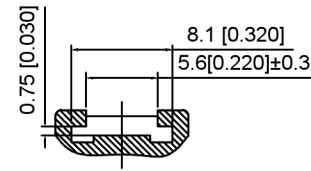
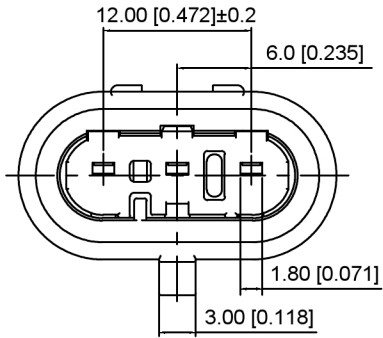


XKB INDUSTRIAL PRECISION CO., LIMITED

					ANGLAR	±5°
ΔX					L ≤ 4	±0.2
ΔX					4 < L ≤ 16	±0.3
ΔX					16 < L ≤ 63	±0.4
MARK	DESCRIPTION	DATE	REVISED	APPROVED	L > 63	±0.5

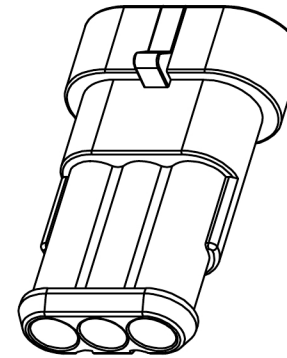
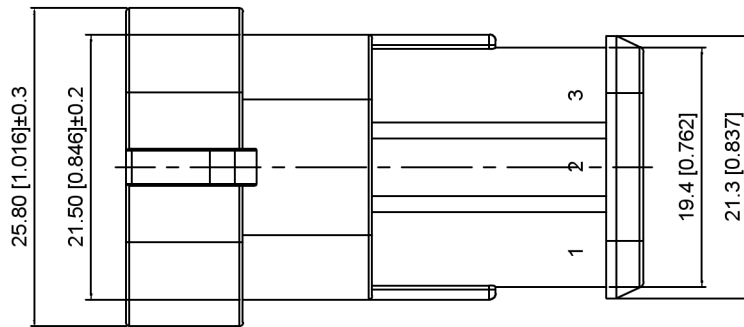
REVISIONS

UNSPECIFIED TOLERANCES



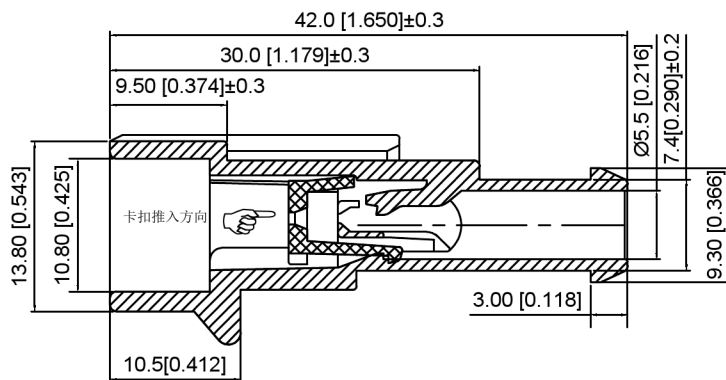
技术说明

- 1.表明光洁, 无明显缩坑与熔接痕
- 2.Current rating:14A AC/DC  
额定电流: 14A AC/DC
- 3.工作温度: -40℃- +125℃



K 282103 H F - XX - N0  
 ① ② ③ ④ ⑤ ⑥

- 1.K: XKBTEK-Car Connector
- 2.XKB Series No
- 3.Category:H-Housing
- 4.Special No:F-Female Housing
- 5.Row No.Pin No:XX-03 Pin
- 6.Material:N0-PA66 UL94V-0



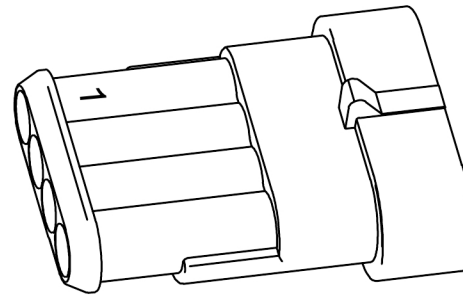
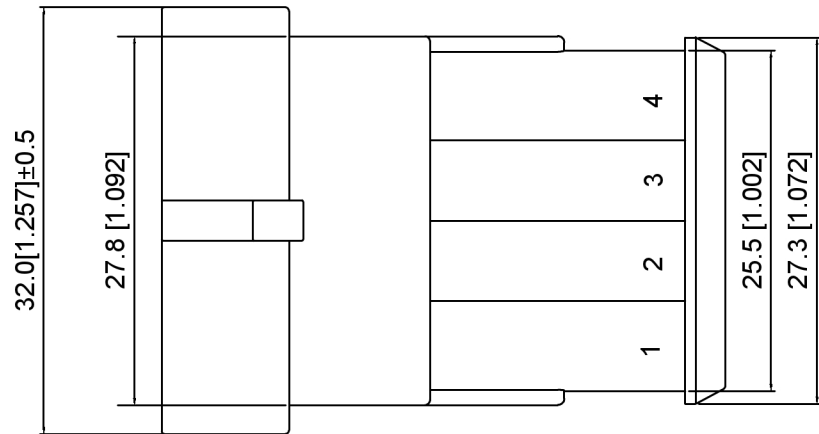
K282103HF-XX-N0	PA66	K282103HM	K282103TM
PART NO	Material	Suitable XKB Housing	Suitable XKB Terminal

DSND	SCALE: N/A	MODEL TYPE: 6.0mm Automobile connector
DWN	VIEW:	PART NO.: K282103HF-XX-N0
CHKD	UNIT: mm/in	DWG NO.: X-K282103HF-XX-N0
APPD	SIZE: A4	WEIGHT SHEET REVISION
XKB INDUSTRIAL PRECISION CO.,LIMITED		1/1 A0

**XKB**

ANGLAR	±5°
L ≤ 4	±0.2
4 < L ≤ 16	±0.3
16 < L ≤ 63	±0.4
L > 63	±0.5
UNSPECIFIED TOLERANCES	

MARK	DESCRIPTION	DATE	REVISED	APPROVED
ΔX				
ΔX				
ΔX				
REVISIONS				

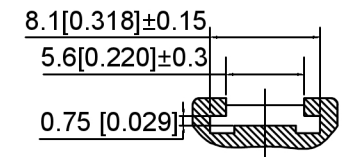
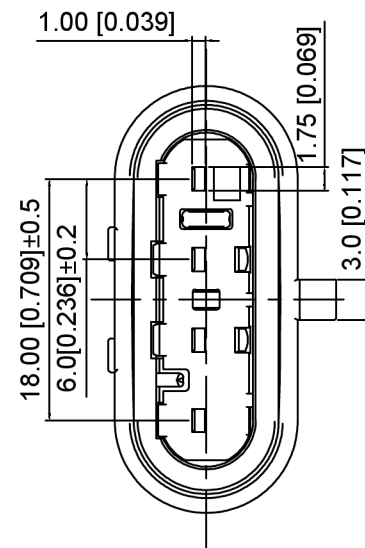
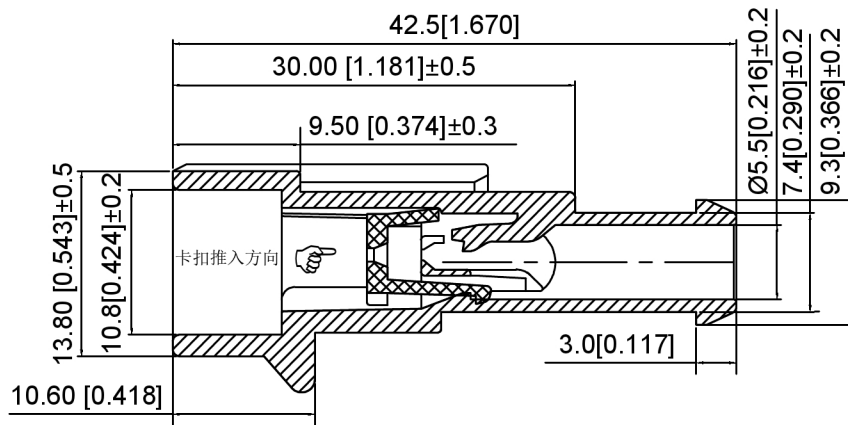


技术说明

- 1.表明光洁, 无明显缩坑与熔接痕
2. Current rating: 14A AC/DC  
额定电流: 14A AC/DC
3. 工作温度: -40°C - +125°C

**K** **282103** **H** **F** - **XX** - **N0**  
 ① ② ③ ④ ⑤ ⑥

- 1.K: XKBTEK-Car Connector
- 2.XKB Series No
3. Category:H-Housing
4. Special No:F-Female Housing
5. Row No.Pin No:XX-04 Pin
6. Material:N0-PA66 UL94V-0



K282103HF-XX-N0	PA66	K282103HM	K282103TM
PART NO	Material	Suitable XKB Housing	Suitable XKB Terminal

DSND	SCALE: N/A	MODEL TYPE: 6.0mm Automobile connector
DWN	VIEW:	PART NO.: K282103HF-XX-N0
CHKD	UNIT: mm/in	DWG NO.: X-K282103HF-XX-N0
APPD	SIZE: A4	WEIGHT SHEET REVISION



XKB INDUSTRIAL PRECISION CO., LIMITED

WEIGHT	SHEET	REVISION
	1/1	A0

ANGLAR	±5°
L ≤ 4	±0.2
4 < L ≤ 16	±0.3
16 < L ≤ 63	±0.4
L > 63	±0.5

UNSPECIFIED TOLERANCES

REVISIONS

DESCRIPTION

DATE

REVISED

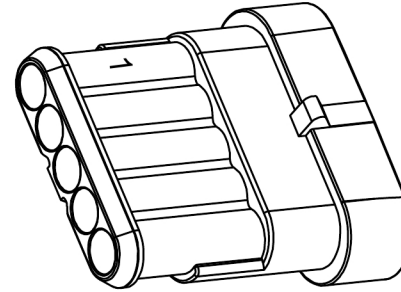
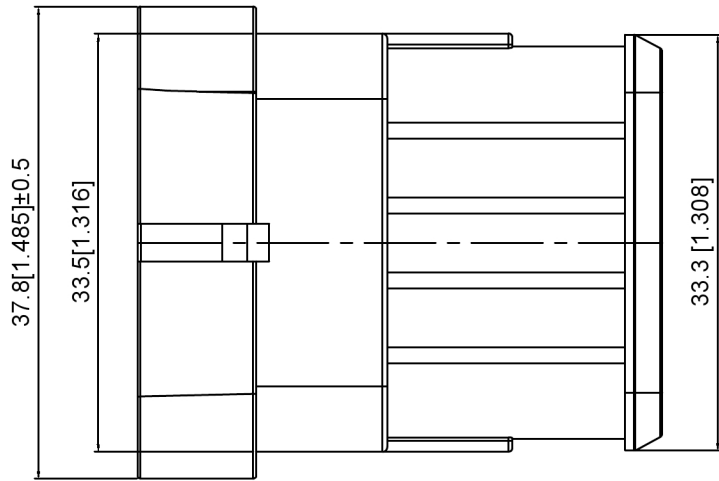
APPROVED

Δx

Δx

Δx

MARK

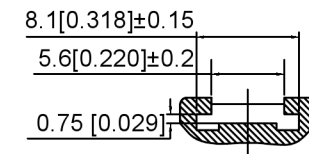
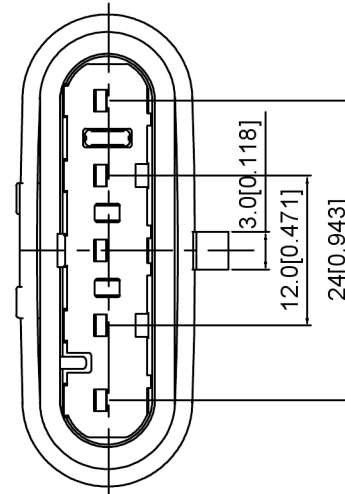
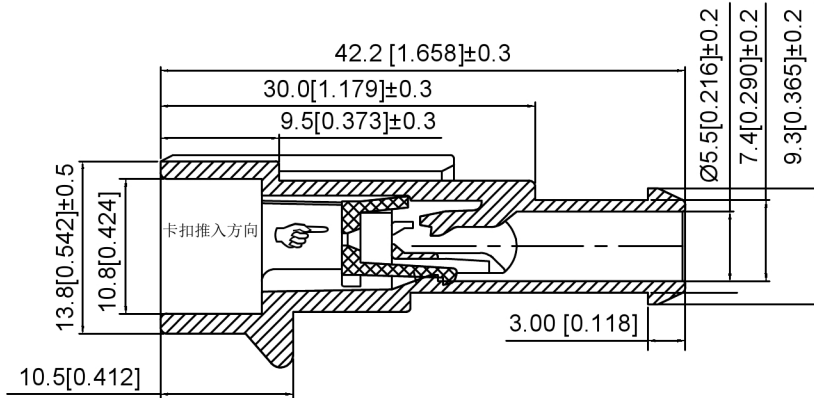


技术说明

- 1.表明光洁, 无明显缩坑与熔接痕
- 2.Current rating: 14A AC/DC  
额定电流: 14A AC/DC
- 3.工作温度: -40°C- +125°C

K 282103 H F - XX - N0  
 ①      ②      ③      ④      ⑤      ⑥

- 1.K: XKBTEK-Car Connector
- 2.XKB Series No
- 3.Category:H-Housing
- 4.Special No:F-Female Housing
- 5.Row No.Pin No:XX-05 Pin
- 6.Material:N0-PA66 UL94V-0



K282103HF-XX-N0	PA66	K282103HM	K282103TM
PART NO	Material	Suitable XKB Housing	Suitable XKB Terminal

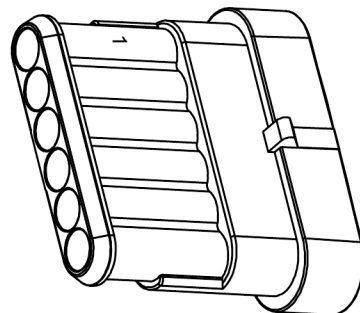
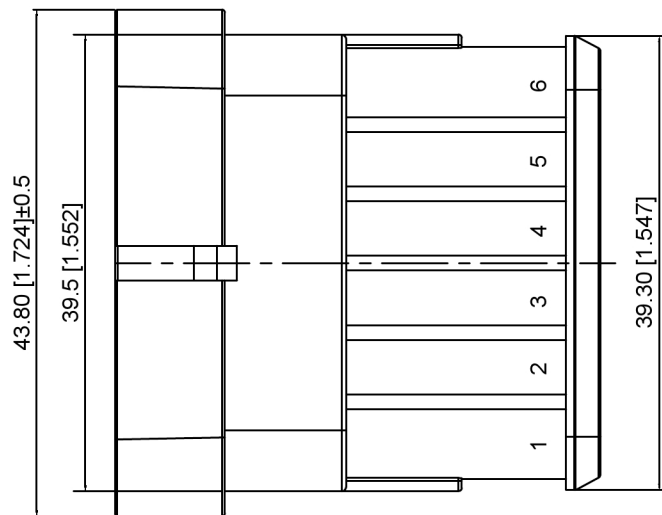
DSND	SCALE: N/A	MODEL TYPE: 6.0mm Automobile connector
DWN	VIEW:	PART NO.: K282103HF-XX-N0
CHKD	UNIT: mm/in	DWG NO.: X-K282103HF-XX-N0
APPD	SIZE: A4	WEIGHT SHEET REVISION



XKB INDUSTRIAL PRECISION CO., LIMITED

1/1	A0
-----	----

					ANGLAR	±5°
Δx					L ≤ 4	±0.2
Δx					4 < L ≤ 16	±0.3
Δx					16 < L ≤ 63	±0.4
MARK	DESCRIPTION	DATE	REVISED	APPROVED	L > 63	±0.5
REVISIONS					UNSPECIFIED TOLERANCES	

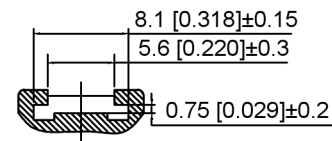
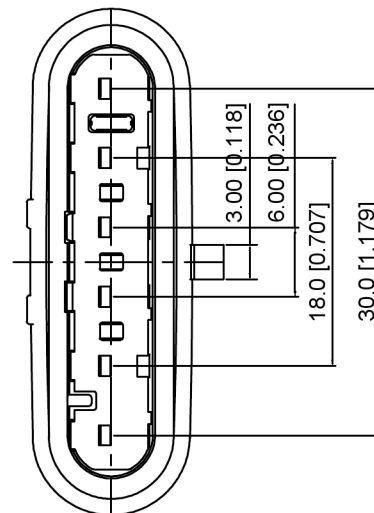
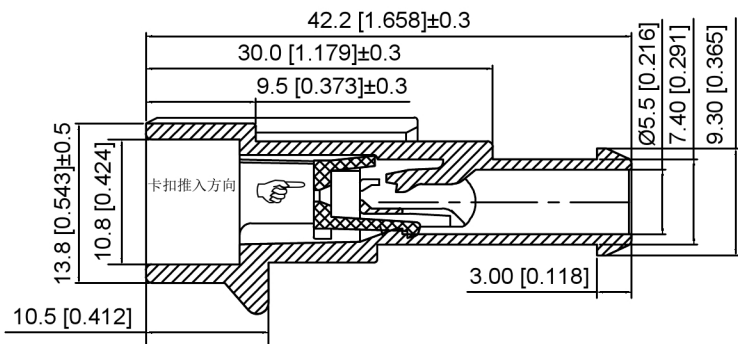


技术说明

- 1.表明光洁, 无明显缩坑与熔接痕
- 2.Current rating:14A AC/DC  
额定电流: 14A AC/DC
- 3.工作温度: -40°C- +125°C

K 282103 H F - XX - N0  
 ① ② ③ ④ ⑤ ⑥

- 1.K: XKBTEK-Car Connector
- 2.XKB Series No
- 3.Category:H-Housing
- 4.Special No:F-Female Housing
- 5.Row No.Pin No:XX-06 Pin
- 6.Material:N0-PA66 UL94V-0



K282103HF-XX-N0	PA66	K282103HM	K282103TM
PART NO	Material	Suitable XKB Housing	Suitable XKB Terminal

DSND	SCALE: N/A	MODEL TYPE: 6.0mm Automobile connector
DWN	VIEW:	PART NO.: K282103HF-XX-N0
CHKD	UNIT: mm/in	DWG NO.: X-K282103HF-XX-N0
APPD	SIZE: A4	

					ANGULAR	±5°
ΔX					L ≤ 4	±0.2
ΔX					4 < L ≤ 16	±0.3
ΔX					16 < L ≤ 63	±0.4
MARK	DESCRIPTION	DATE	REVISED	APPROVED	L > 63	±0.5
REVISIONS					UNSPECIFIED TOLERANCES	
www.helloxkb.com www.helloxkb.cn www.xk-dg.cn						



XKB INDUSTRIAL PRECISION CO., LIMITED

WEIGHT	SHEET	REVISION
	1/1	A0