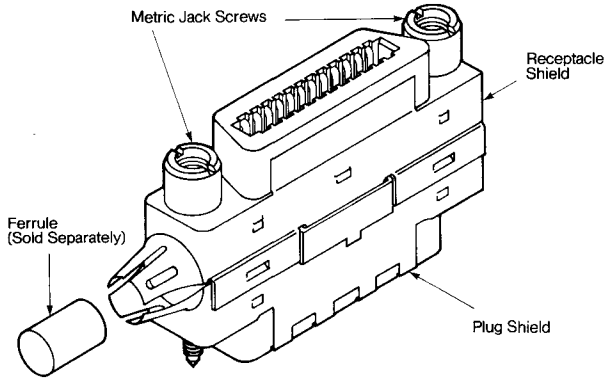
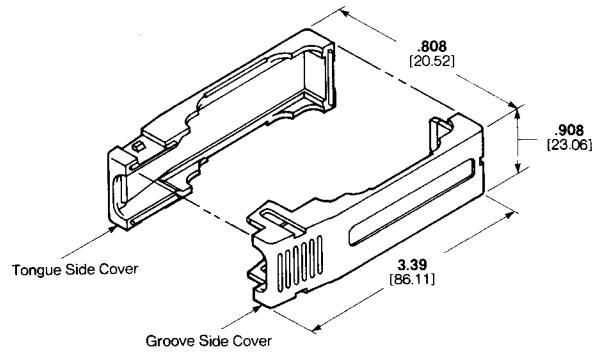


**CHAMP IDC Connectors for Special Applications,
Shielded Back-to-Back Cable Connectors** (Continued)

24-Position Back-to-Back Kit



24-Position Back-to-Back Cover Kit



Cable Connectors

Connector Styles	Cable Diameter Range	Post Moldable	Kit Part Number	Snap-on Cover Part Number
Back-to-Back	.300-.375 7.62-9.53	Yes	555182-1	554831-1

Inner Ferrules

Inside Diameter	Part Numbers
.300 7.62	554725-2
.350 8.89	554725-3
.400 10.16	554725-4

24-Position Interface Bus Connector

Part Number 554815-1

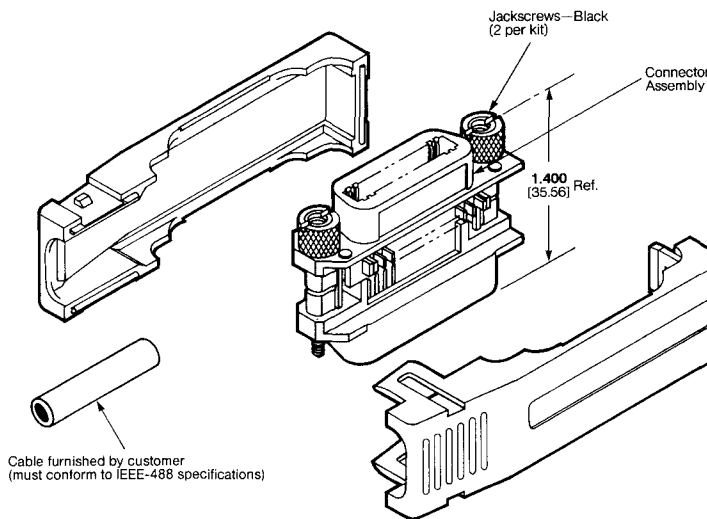
Snap-on Covers—
Part Number 554831-1

Material and Finish

Housing and Cover — Black, thermoplastic

Jackscrews — Black oxide plated carbon

Terminals — High strength copper alloy with gold over nickel plating in contact area



CHAMP .085 Centerline
Miniature Ribbon Connector Systems

