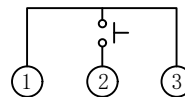
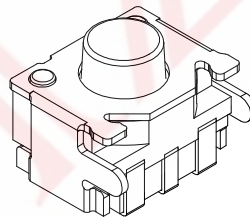
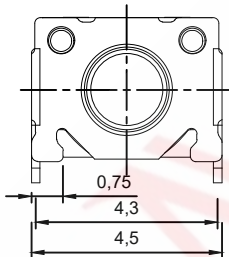
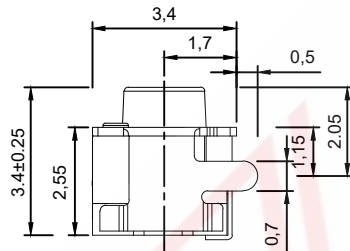
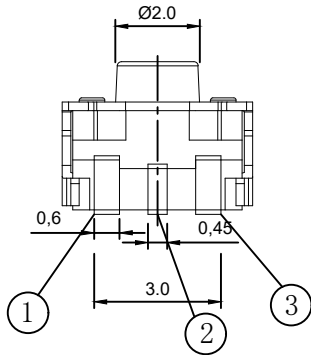
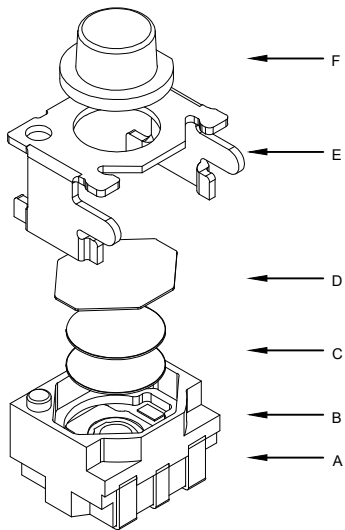
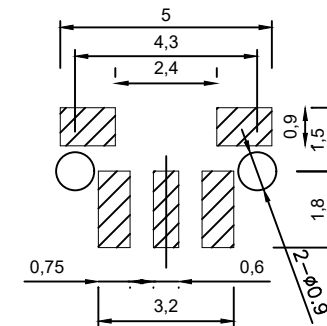


1 SAMZO 2 REAC/ROHS

REV	ECN NO	DESCRIPTION	DESIGN	APPROVAL	DATE
A1	NEW	Replace frame			2018.06.12



电路图
CIRCUIT DIAGRAM



PCB. 焊接图
PCB. WELDING DRAWING

主要技术参数、性能
The Main Thchnology Performance

额定电流、电压 Rate voltage, current	50mA DC12V
接触电阻 Contact resistance	≤100mΩ
按力 Operating force	±50gf
行程 Travel	0.3±0.15mm
绝缘电阻 Insulated resistance	≥100MΩ
介电强度 Dielectric strength	≥250VAC/1min

- Z A
- 5 B
- C C
- 3 D
- 4 D
- * E
- 1 F
- 1 G
- 0 H

- A. 系列: Z-3*4软柄系列
- B. 贴装方式: 5-立贴贴片
- C. 引脚规格: C-5P
- D. 操作高度: 34-3.4mm
- E. 操作力度: 1-180/2-260gf
- F. 操作寿命: 1-50,000次
- G. 固定方式: 1-不带住
- H. 物料编码: 0-常规

ITEM	DESCRIPTION	MATERIAL	QTY	FINSH/COLOR					
E	按钮	硅胶	1	蓝色					
D	盖板	磷铜	1	镀银	GENERAL TOLERANCE				
D	防尘膜	聚酰亚胺	1	橙黄色	≥0~2<	±0.15	SCALE		
C	弹片	不锈钢	2	镀银	DESIGN	WANGUIFA	2018.06.12	≥2~5<	±0.25
B	本件	LCP	1	黑色	CHECKED	ZHENGUILAN	2018.06.12	≥0~2<	±0.15
A	卡件	磷铜	1	镀银	APPROVED	LILIANJIANG	2018.06.14	≥5	±0.35

FIRST VIEW

SCALE 1:1 UNIT mm

SAMZO COMPONENTS
Electronic switch and connector manufacturer

The copyright belongs to samzo parts [China] Co., Ltd. please use the material after samzo parts agree to authorize. The final right of interpretation belongs to samzo parts. WWW.KKK-JP.COM

TITLE::	3.4*4.5*3.4蓝色硅胶 5P-WT
DWG NO:	Z5C34-P70
PART NO:	Z5C343200
MODEL NO:	Z5C34-* -110
NAME:	TACT SWITCH