

1

2

3

4

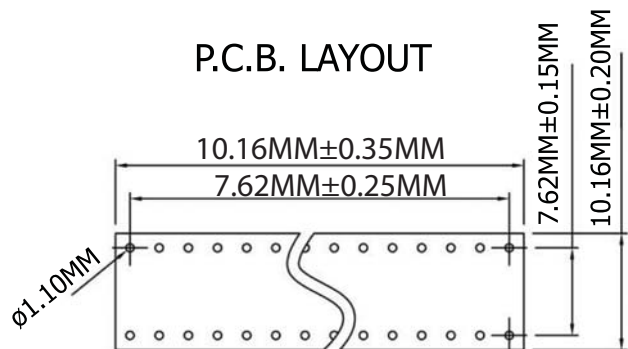
5

6

7

A

P.C.B. LAYOUT



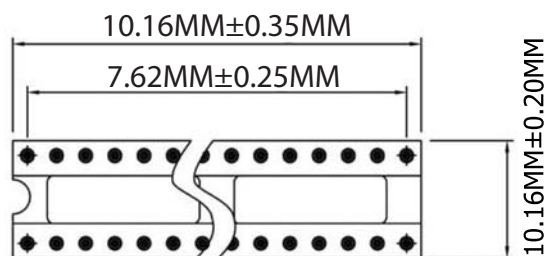
A

B

B

C

C

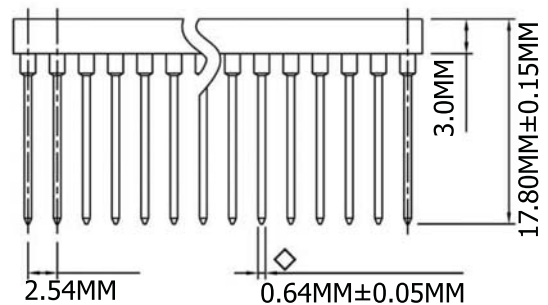


D

D

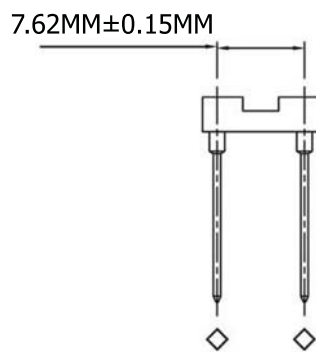
E

E



F

F

**Materials**

Pin (outer sleeve) : Brass, machined, CuZn38Pb2
 Clip (contact 4 finger) : Beryllium copper, heat treated or PHBZ
 Plating (outer sleeve) : Tin plated : 2µm/80µ"nickel, 5µm/200µ" Tin
 Plating clip (contact) : 2µm/80µ"nickel, Gold
 Insulator body (black) : Glass filled thermoplastic polyester UL94V-0

Electrical

Current rating : 3 Amps/contact max.
 Contact resistance : Max 4mΩ
 Insulation resistance : Min 10,000mΩ @ 500 V AC
 Operating Voltage : 100 VRMS / 150 V AC

Mechanical

Operating temperature : Tin plated: -40°C to +105°C
 Average insertion force with steel pin of: 0.43mm/0.017" < 250g
 Average withdrawal force with steel pin of: 0.43mm/0.017" > 50g
 Mechanical life : min.200
 Packaging: Tube

G

G

Scale	1:1						Name
TOLERANCE					Drawn	11.07.11	Chappell
X.X	±0.40				Approved		
X.XX	±0.25						
X.XXX	±0.15						
Angle	±3°						
Modification				Date	Name		

Item No.

AR08-HZW/T-R

Title

IDC-Socket, 8 Pin, Wire Wrap,
Pitch: 2.54MM, Pin Length: 17.80MM

Drawing No.

rev00

Replace

Sheet

H

H

RoHS
Complaint**ASSMANN**
WVS components

1

2

3

4

5

6

7