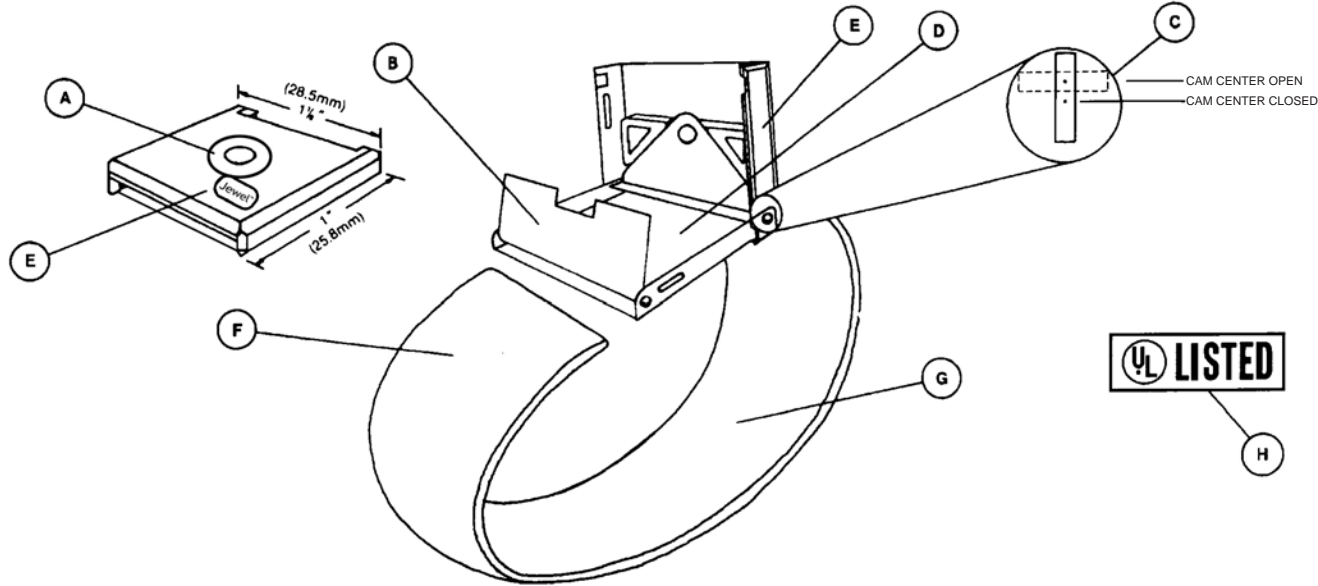




Made in the
United States of America



- A. Magnetic connection creates a superior connection with wristband. Maintains 1-5 pound release.
- B. Small cam lock, allows material replacement. 300 series stainless steel.
- C. Large cam lock, allows size adjustment, maintains electrical continuity even when open. 300 series stainless steel. Floating cam lock allows wide opening for easy adjustment and secures material down against base plate when closed.
- D. 300 series stainless steel backplate (0.016" thick). Manufacturing date code is stamped into stainless steel backplate.

- E. Insulating cap, white ABS plastic.
- F. Knit elastic band material. 0.875" (22mm) wide and 0.10" (2.5mm) thick. 50 strands of textured polyester, 36 strands of lycra spandex and 14 strands of silver plated polypropylene yarn. Outer surface (grey color) of fibers act as an insulator.
- G. Inner conductive surface. 14 strands (13.5% of the material by weight) of silver bound polypropylene fibers are randomly knit on the inner surface of the material. Electrically isolated from the outer surface (grey side). Silver fibers provide antimicrobial and anti-odor properties.
- H. Underwriters Laboratory listing 90P1.

Note: Used with cord meets ANSI/ESD S20.20 tested per ANSI/ESD S1.1 and ESD TR53

ITEM	DESCRIPTION	CIRCUMFERENCE		WIDTH
		MIN	MAX	
09213	Wristband only	2.5" (63.5mm)	13" (330mm)	0.875" (22mm)
09214	Wristband w/ 6' Cord	2.5" (63.5mm)	13" (330mm)	0.875" (22mm)
09215	Wristband w/ 10' Cord	2.5" (63.5mm)	13" (330mm)	0.875" (22mm)

Unless otherwise noted, tolerance $\pm 10\%$

Specifications and procedures subject to change without notice.

JEWEL MAGSNAP® WHITE ELASTIC WRIST STRAPS

DESCO

DESCO WEST: 3651 WALNUT AVE., CHINO, CA 91710 WEB SITE: Desco.com
PHONE (909) 627-8178

DESCO EAST: ONE COLGATE WAY, CANTON, MA 02021-1407
PHONE (781) 821-8370

DRAWING NUMBER
09213

DATE:
August
2014