

1

2

3

4

5

6

7

A

Material: Brass
Plating: Au over Ni

B

B

C

C

D

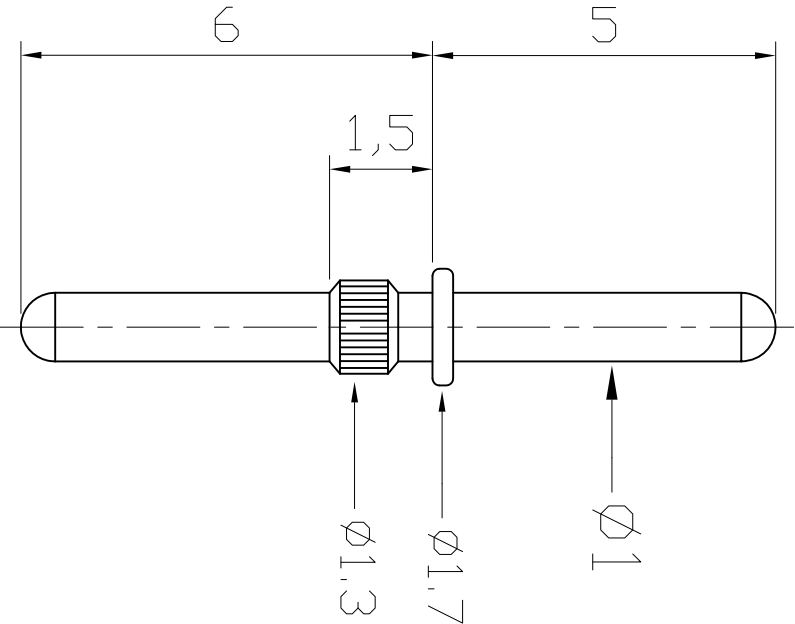
D

E

E

F

F



RoHS compliant

1

2

3

4

5

6

7

H

H

Scale	1:1
TOLERANCE	
X.	±X
X.X	±X
X.XX	±X
DIM	TOL
X.°	±X°
X.X°	±X°
Angle	TOL

Id.	Ⓢ
Drawn	Dean
Modification	
Date	09.09.2009
Name	Dean

Drawn	Date	09.09.2009	Name	Dean
Approved	Date	09.09.2009	Name	Helwig

Customer-No.	
ASSMANN WSW-No.	AL 32
Drawing-No.	ASS 3700 CO
Replace	rev01
Sheet	

