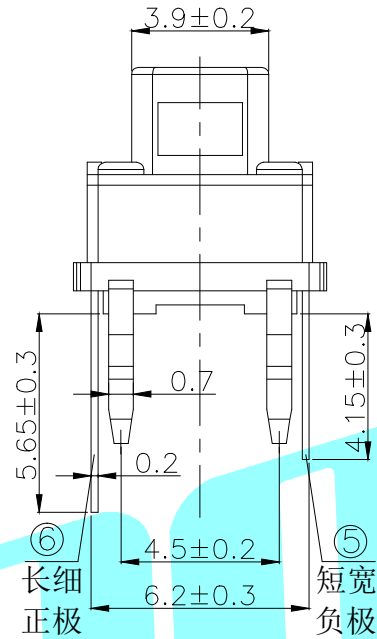
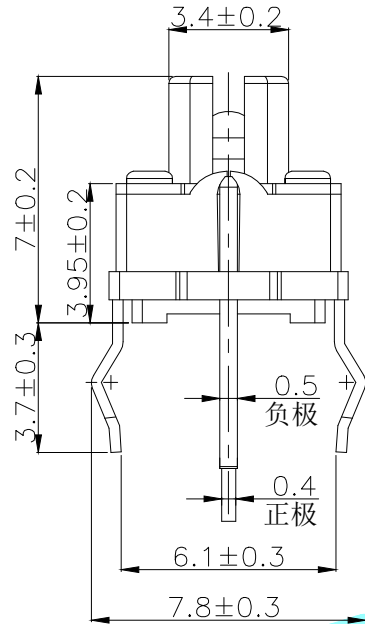
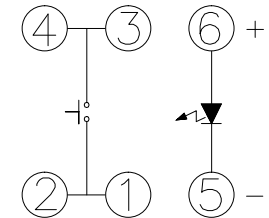
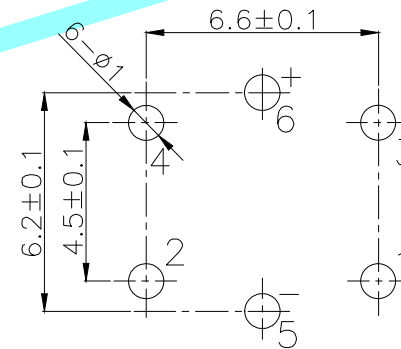
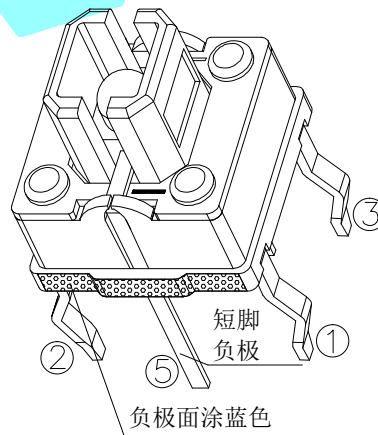
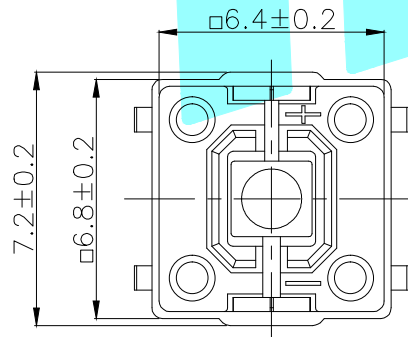


ROHS



LED colour(LED颜色)	Part No. 料号
Whiler(白色)	K6-6150D01
Red(红色)	K6-6150D02
Blue(蓝色)	K6-6150D03
Green(绿色)	K6-6150D04
Red/Green(红/翠绿)	K6-6150D05



②	Terminal	3	Phosphor bronze	Au Plating		
①	Housing	1	Nylon	Black		
ITEM	PART NAME	TER'NO.	QTY.	MATERIAL	FINISHING	REMARK

APPROVALS		DATE		 ELECTRONICS CO.,LTD													
DRAWN	J.X.Zhang	2013/11/11					TITLE:	LED Tact Switch									
CHECKED				PART NO.	K6-6150D												
APPROVALS				TOLERANCES ARE	<table border="1"> <tr> <td>30~以上</td> <td>±0.30</td> <td rowspan="4">ANGLE</td> <td rowspan="4">UNIT: mm</td> <td rowspan="4">SCALE: 1:1</td> <td rowspan="4">PROJ: </td> </tr> <tr> <td>10~30</td> <td>±0.20</td> </tr> <tr> <td>5~10</td> <td>±0.15</td> </tr> <tr> <td>~ 5</td> <td>±0.10</td> </tr> </table>	30~以上	±0.30	ANGLE	UNIT: mm	SCALE: 1:1	PROJ:	10~30	±0.20	5~10	±0.15	~ 5	±0.10
30~以上	±0.30	ANGLE	UNIT: mm	SCALE: 1:1	PROJ:												
10~30	±0.20																
5~10	±0.15																
~ 5	±0.10																
ECN NO.	REV.	DATE.	DESCRIPTION.	CHANGE.	CHECK.	APPRO.	DRAWING NO.	SHEET 1 OF 1									

ECN NO.	REV.	DATE.	DESCRIPTION.	CHANGE.	CHECK.	APPRO.
	A		NEW			