

ANT-MAG-SMAF-TNCM-1 ✓ ACTIVE

TE Internal #: L9000355-01

Remote Mount, Magnet, RP-TNC / TNC, Single Port

[View on TE.com >](#)



Antennas



Mounting Location: **Remote**

Mounting Type: **Magnet**

Antenna Termination: **RP-TNC, TNC**

Port Configuration: **Single Port**

Antenna Product Type: **Antenna**

Features

Product Type Features

Antenna Termination	RP-TNC, TNC
Antenna Product Type	Antenna

Configuration Features

Mounting Location	Remote
Port Configuration	Single Port

Mechanical Attachment

Mounting Type	Magnet
---------------	--------

Product Compliance

[For compliance documentation, visit the product page on TE.com>](#)

EU RoHS Directive 2011/65/EU	Compliant with Exemptions
EU ELV Directive 2000/53/EC	Not Yet Reviewed
China RoHS 2 Directive MIIT Order No 32, 2016	Restricted Materials Above Threshold
EU REACH Regulation (EC) No. 1907/2006	Current ECHA Candidate List: JUNE 2024 (241) Not Yet Reviewed
Halogen Content	Low Bromine/Chlorine - Br and Cl < 900 ppm per homogenous material. Also BFR /CFR/PVC Free
Solder Process Capability	Not reviewed for solder process capability

Product Compliance Disclaimer

This information is provided based on reasonable inquiry of our suppliers and represents our current actual knowledge based on the information they provided. This information is subject to change. The part numbers that TE has identified as EU RoHS compliant have a maximum concentration of 0.1% by weight in homogenous materials for lead, hexavalent chromium, mercury, PBB, PBDE, DBP, BBP, DEHP, DIBP, and 0.01% for cadmium, or qualify for an exemption to these limits as defined in the Annexes of Directive 2011/65/EU (RoHS2). Finished electrical and electronic equipment products will be CE marked as required by Directive 2011/65/EU. Components may not be CE marked. Additionally, the part numbers that TE has identified as EU ELV compliant have a maximum concentration of 0.1% by weight in homogenous materials for lead, hexavalent chromium, and mercury, and 0.01% for cadmium, or qualify for an exemption to these limits as defined in the Annexes of Directive 2000/53/EC (ELV). Regarding the REACH Regulations, TE's information on SVHC in articles for this part number is still based on the European Chemical Agency (ECHA) 'Guidance on requirements for substances in articles' (Version: 2, April 2011), applying the 0.1% weight on weight concentration threshold at the finished product level. TE is aware of the European Court of Justice ruling of September 10th, 2015 also known as O5A (Once An Article Always An Article) stating that, in case of 'complex object', the threshold for a SVHC must be applied to both the product as a whole and simultaneously to each of the articles forming part of its composition. TE has evaluated this ruling based on the new ECHA "Guidance on requirements for substances in articles" (June 2017, version 4.0) and will be updating its statements accordingly.

Compatible Parts



TE Part # 5227839-1
TNC PCB RT ANGLE JACK



TE Part # 5227835-1
TNC PCB VERT JACK W/POST



TE Part # 1-225550-2
TNC PLUG



TE Part # 5225555-6
TNC PLUG DUAL W/P TR



TE Part # CON SMA001
SMA Jack 50 Ohm PCB Through Hole



TE Part # CON SMA002-L-G
SMA Jack 50 Ohm PCB Through Hole



TE Part # CON SMA002-SMD-G
SMA Jack 50 Ohm PCB Surface Mount



TE Part # CON SMA008-G
SMA Jack 50 Ohm Through Hole PCB

Customers Also Bought



TE Part #DT04-2P
REC, 2P, GRY, N



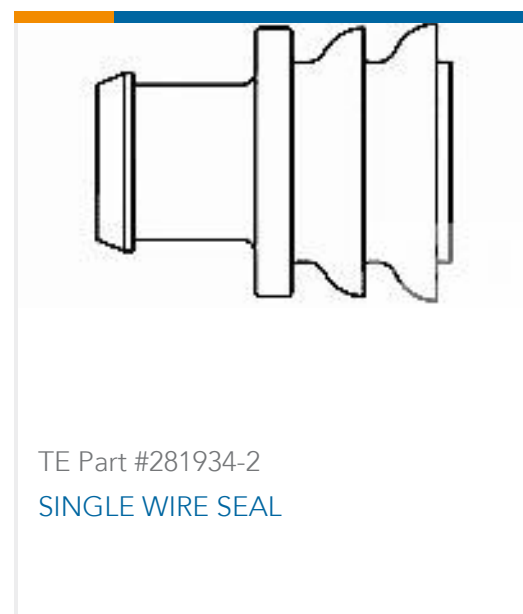
TE Part #DT06-2S
PLG, 2P, GRY, N



TE Part #W2S
Wedgelocks: DEUTSCH DT



TE Part #0460-202-16141
DEUTSCH Solid Contacts



Documents

Product Drawings

Magnetic Base SMA Jack MR195 1M TNC Plug

English

CAD Files

3D PDF

3D

Customer View Model

[ENG_CVM_CVM_L9000355-01_A.2d_dxf.zip](#)

English

Customer View Model

[ENG_CVM_CVM_L9000355-01_A.3d_igs.zip](#)

English

Customer View Model

[ENG_CVM_CVM_L9000355-01_A.3d_stp.zip](#)

English

By downloading the CAD file I accept and agree to the [Terms and Conditions](#) of use.

Datasheets & Catalog Pages

Magnetic Remote Antenna Base

English