

HC-B 16-A-UT-PER-M - Terminal adapter



1648096

<https://www.phoenixcontact.com/us/products/1648096>

Please be informed that the data shown in this PDF document is generated from our online catalog. Please find the complete data in the user documentation. Our general terms of use for downloads are valid.

HEAVYCON terminal adapter, pin insert, B16 series, 16-pos., for the right side of the control cabinet, screw connection.



Commercial data

Item number	1648096
Packing unit	5 pc
Minimum order quantity	5 pc
Sales key	BF61
Product key	BF7ADC
Catalog page	Page 551 (C-2-2019)
GTIN	4017918969745
Weight per piece (including packing)	152.46 g
Weight per piece (excluding packing)	30 g
Customs tariff number	85366990
Country of origin	CN

HC-B 16-A-UT-PER-M - Terminal adapter



1648096

<https://www.phoenixcontact.com/us/products/1648096>

Technical data

Notes

General	For HEAVYCON-ADVANCE mounting flange and HEAVYCON panel mounting base of B16 type
General	Connectors may be operated only when there is no load/voltage.

Product properties

Product type	Terminal adapter
Product family	HC-B
Series	HC-B
Type	B16
Number of positions	16
Connection profile	16+PE
Contact numbering	1 - 16
Type	for the right side of the control cabinet
Screwdriver blade	0.5 x 3.5 mm

Insulation characteristics

Overvoltage category	III
Degree of pollution	3

Electrical properties

Rated voltage (III/3)	500 V
Rated surge voltage	6 kV
Rated current	16 A
SCCR	5 kA (UL 2237)

Connection data

Connection technology

Connection technology	Screw connection
Connection in acc. with standard	IEC / EN

Conductor connection

Conductor cross section	0.5 mm ² ... 2.5 mm ²
Connection cross section AWG	20 ... 14
Tightening torque	0.5 Nm ... 0.8 Nm
Stripping length of the individual wire	12 mm

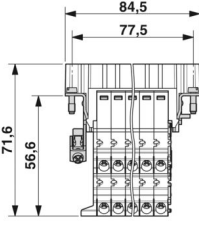
Dimensions

HC-B 16-A-UT-PER-M - Terminal adapter



1648096

<https://www.phoenixcontact.com/us/products/1648096>

Dimensional drawing	
Width	34 mm
Height	71.6 mm
Length	84.5 mm
Drill hole distance, horizontal	77.5 mm
Drill hole distance, vertical	27 mm

Material specifications

Flammability rating according to UL 94	V0
Contact material	Copper alloy
Contact surface material	Ag
Contact carrier material	PA
Standards/regulations	PA: Fire protection in rail vehicles - requirement sets R22, R23, and R24 acc. to DIN EN 45545-2 (Risk level HL1 - HL3)

Cable/line

Stripping length of the individual wire	12 mm
---	-------

Mechanical properties

Mechanical data

Insertion/withdrawal cycles	≥ 500
-----------------------------	-------

Environmental and real-life conditions

Ambient conditions

Ambient temperature (operation)	-40 °C ... 125 °C
---------------------------------	-------------------

Standards and regulations

Constructional and testing regulations	DIN EN 61984
	DIN EN 60664
	IEC 60352
Tests	DIN EN 61984
	DIN EN 60664
	IEC 60352

Testing

Standards/regulations	PA: Fire protection in rail vehicles - requirement sets R22, R23, and R24 acc. to DIN EN 45545-2 (Risk level HL1 - HL3)
-----------------------	---

HC-B 16-A-UT-PER-M - Terminal adapter



1648096

<https://www.phoenixcontact.com/us/products/1648096>

Mounting

Assembly note

To ensure correct use, installation in housing with IP54 protection or better is required

Connectors may only be actuated when there is no load/voltage.

HC-B 16-A-UT-PER-M - Terminal adapter

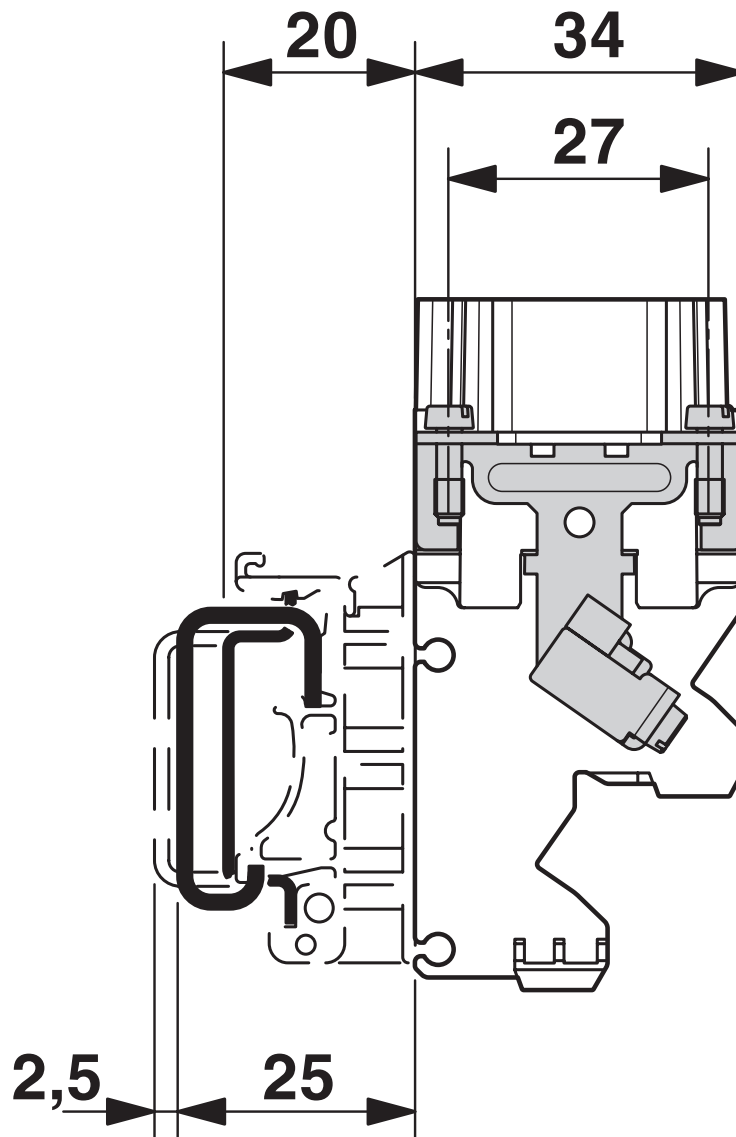
1648096

<https://www.phoenixcontact.com/us/products/1648096>



Drawings

Dimensional drawing



Side view

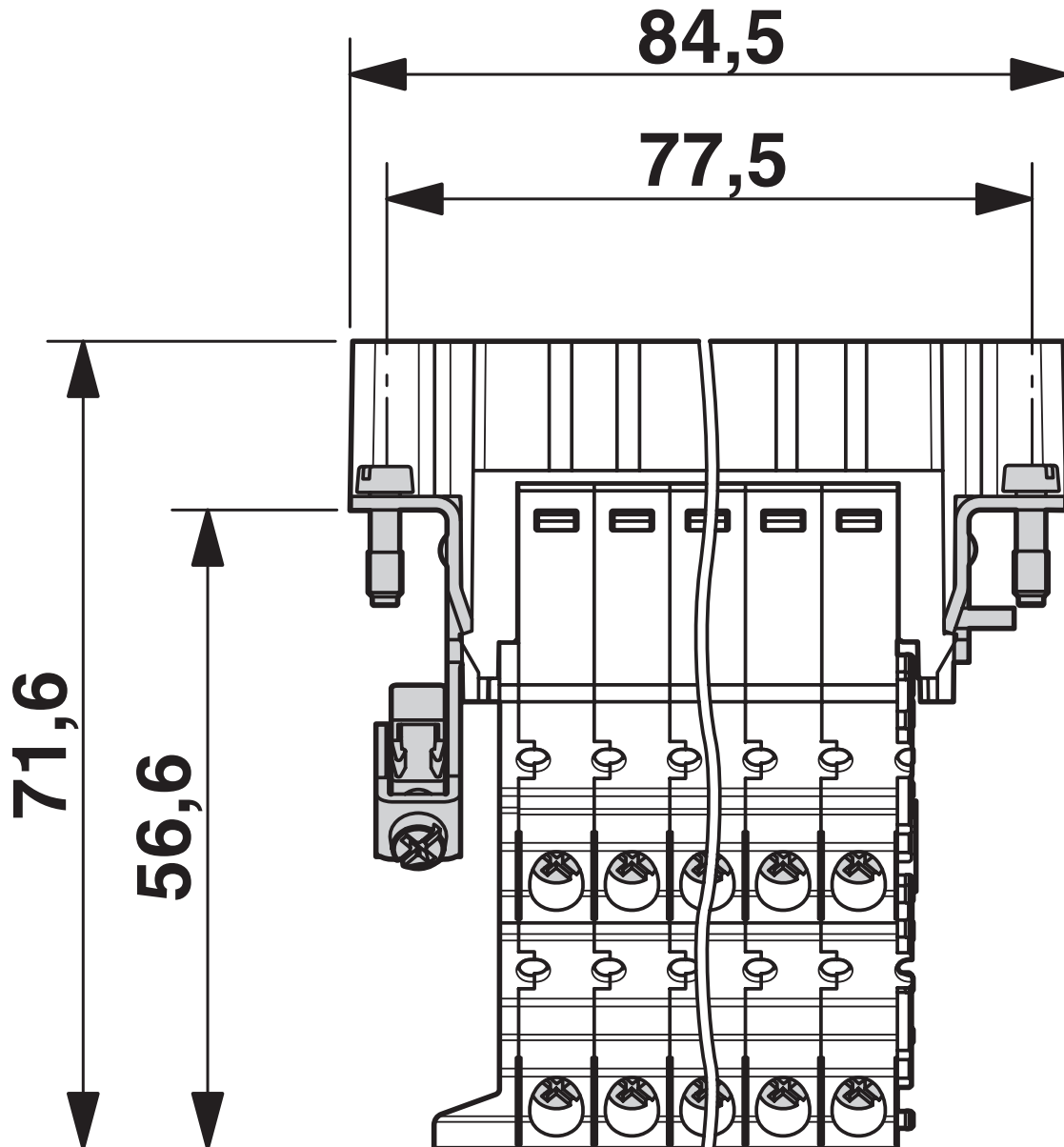
HC-B 16-A-UT-PER-M - Terminal adapter



1648096

<https://www.phoenixcontact.com/us/products/1648096>

Dimensional drawing



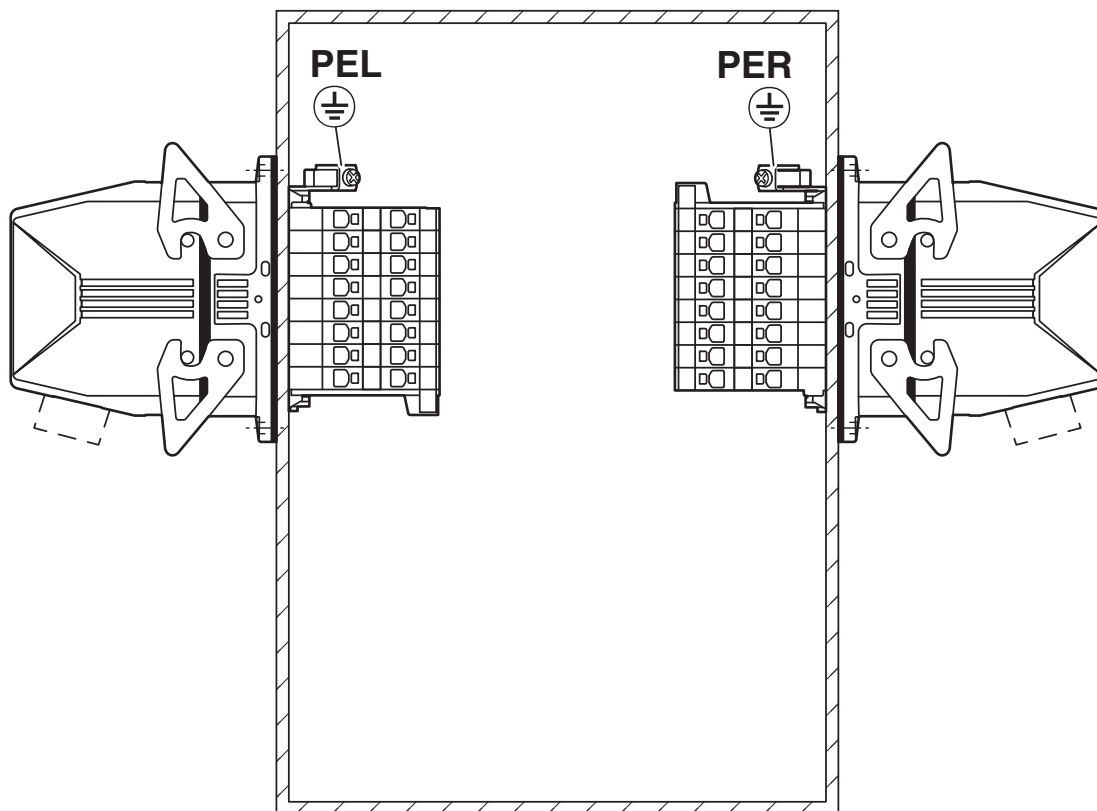
Connection side

HC-B 16-A-UT-PER-M - Terminal adapter

1648096

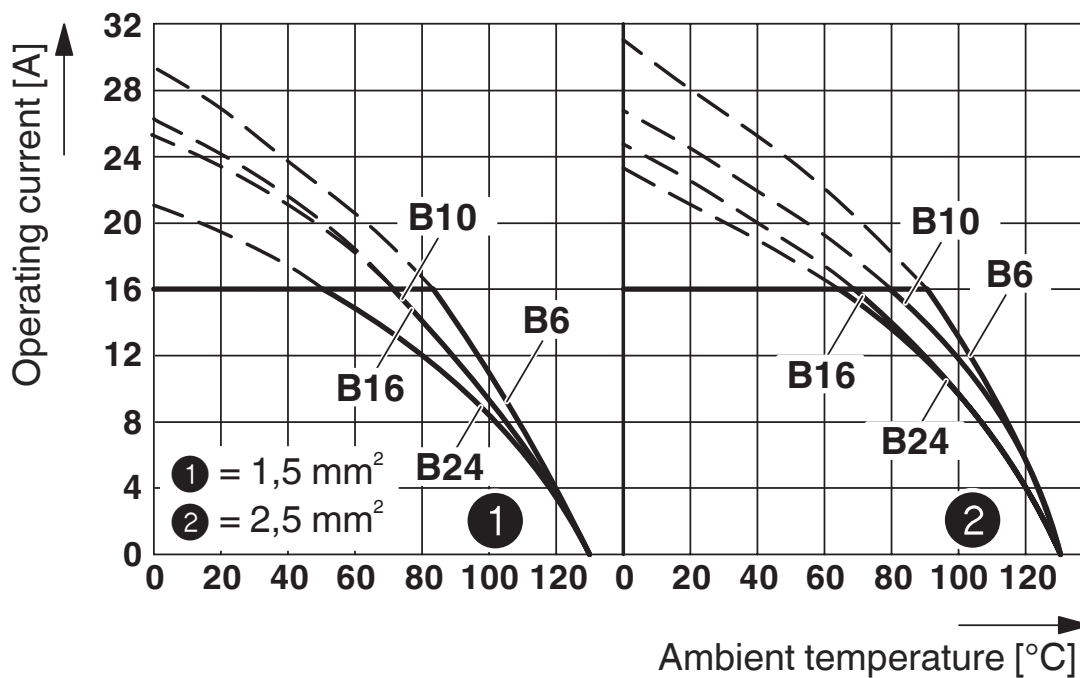
<https://www.phoenixcontact.com/us/products/1648096>

Application drawing



Mounting position PE connection left/right (PEL/PER)

Diagram



Derating diagram

HC-B 16-A-UT-PER-M - Terminal adapter





1648096


<https://www.phoenixcontact.com/us/products/1648096>


Approvals


To download certificates, visit the product detail page: <https://www.phoenixcontact.com/us/products/1648096>

 CSA Approval ID: 013631_6233_01				
	Nominal voltage U_N	Nominal current I_N	Cross section AWG	Cross section mm^2
	600 V	13 A	22 - 14	-

 cUL Recognized Approval ID: FILE E 118976				
	Nominal voltage U_N	Nominal current I_N	Cross section AWG	Cross section mm^2
	600 V	13 A	22 - 14	-

 UL Recognized Approval ID: FILE E 118976				
	Nominal voltage U_N	Nominal current I_N	Cross section AWG	Cross section mm^2
	600 V	13 A	22 - 14	-

 EAC Approval ID: RU C-DE.BL08.B.00511				
---	--	--	--	--

 cULus Recognized Approval ID: E468743				
	Nominal voltage U_N	Nominal current I_N	Cross section AWG	Cross section mm^2
	600 V	14 A	- 14	-

cULus Recognized				
-------------------------	--	--	--	--

HC-B 16-A-UT-PER-M - Terminal adapter



1648096

<https://www.phoenixcontact.com/us/products/1648096>

Classifications

ECLASS

ECLASS-11.0	27440222
ECLASS-12.0	27440222
ECLASS-13.0	27440222

ETIM

ETIM 9.0	EC000438
----------	----------

UNSPSC

UNSPSC 21.0	39121500
-------------	----------

HC-B 16-A-UT-PER-M - Terminal adapter



1648096

<https://www.phoenixcontact.com/us/products/1648096>

Environmental product compliance

EU RoHS

Fulfills EU RoHS substance requirements	Yes, No exemptions
---	--------------------

China RoHS

Environment friendly use period (EFUP)	EFUP-E
	No hazardous substances above the limits

EU REACH SVHC

REACH candidate substance (CAS No.)	No substance above 0.1 wt%
-------------------------------------	----------------------------

HC-B 16-A-UT-PER-M - Terminal adapter

1648096

<https://www.phoenixcontact.com/us/products/1648096>

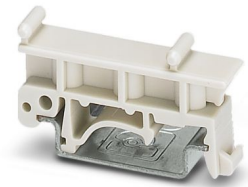
Accessories

HC-KA-FE - Foot element

1775240

<https://www.phoenixcontact.com/us/products/1775240>

Foot element, for mounting on DIN rail NS 32, DIN rail NS 35/7.5 or DIN rail NS 35/15, can be inserted between basic and side element



HC-VSH - Locking screw barrel

1660083

<https://www.phoenixcontact.com/us/products/1660083>

Locking screw barrel, for a firm connection of contact inserts and DIN-rail mountable terminal adapters



HC-B 16-A-UT-PER-M - Terminal adapter

1648096

<https://www.phoenixcontact.com/us/products/1648096>



CP-HC - Coding profile

1686478

<https://www.phoenixcontact.com/us/products/1686478>



Coding profile, 4 coding profiles per strip, for insertion in coding keyways

HC-CST - Coding element

1676857

<https://www.phoenixcontact.com/us/products/1676857>



Coding peg for coding up to 16 connectors

HC-B 16-A-UT-PER-M - Terminal adapter

1648096

<https://www.phoenixcontact.com/us/products/1648096>



HC-CBU - Coding element

1676860

<https://www.phoenixcontact.com/us/products/1676860>



Coding socket for coding up to 16 connectors

HC-CB - Coding bolt

1772722

<https://www.phoenixcontact.com/us/products/1772722>



Coding pin, prevents mismatching of up to six connectors with an identical number of positions

HC-B 16-A-UT-PER-M - Terminal adapter

1648096

<https://www.phoenixcontact.com/us/products/1648096>

HC-B-PES - Screw

1604997

<https://www.phoenixcontact.com/us/products/1604997>

PE screw, for contact inserts HC-B / HC-BB / HC-DD / HC-D40 / HC-D64



HC-B-3PE - PE multiplier

1644326

<https://www.phoenixcontact.com/us/products/1644326>

PE multiplier, for 3 PE connections, for HC-B / HC-BB / HC-DD / HC-D40 / HC-D64 contact inserts



HC-B 16-A-UT-PER-M - Terminal adapter

1648096

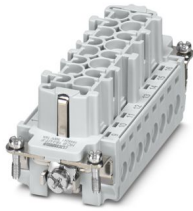
<https://www.phoenixcontact.com/us/products/1648096>



HC-B 16-I-UT-F - Contact insert

1648241

<https://www.phoenixcontact.com/us/products/1648241>



Contact insert, number of positions: 16+PE, size: B16, number of connections per position: 1, Socket, Screw connection, 500 V, 16 A, 0.5 mm² ... 2.5 mm², application: Power

Phoenix Contact 2024 © - all rights reserved

<https://www.phoenixcontact.com>

Phoenix Contact USA
586 Fulling Mill Road
Middletown, PA 17057, United States
(+717) 944-1300
info@phoenixcon.com