

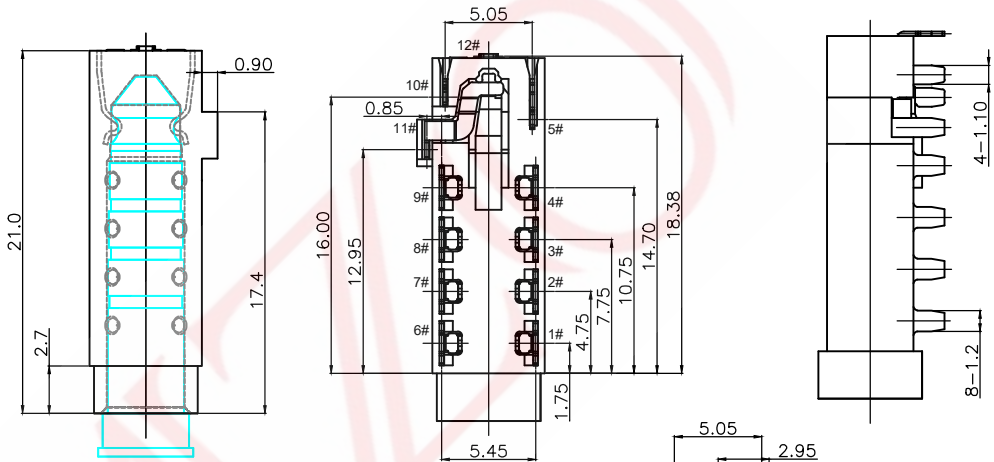
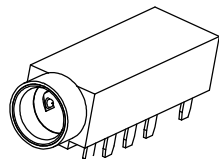
ROHS

REV	ECN NO	DESCRIPTION	DESIGN	APPROVAL	DATE
A1	NEW	Replace frame			2018.06.12

NOTES

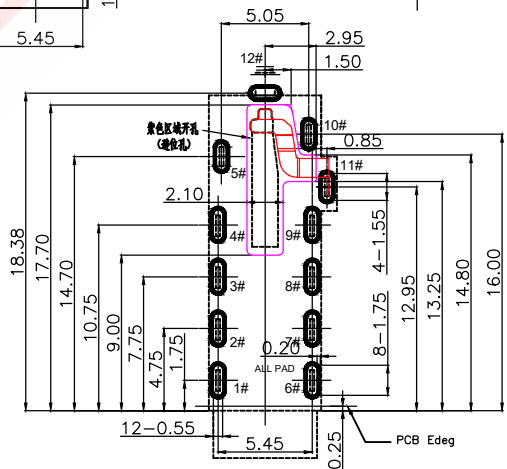
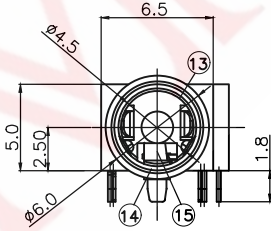
- CURRENT RATING: 1A.12V max
- CONTACT RESISTANCE: 50mΩ MAX.
- INSULATION RESISTANCE: 100MΩ MIN.
- DIELECTRIC WITHSTANDING: 500V AC MIN.
- DURABILITY: 5000 CYCLES MIN.
- CONNECTOR MATING FORCES: 3~50N.
- CONNECTOR UNMATING FORCES: 3~50NX.
- Mate Audio Plug with "JEITA RC-8141C" Standard(Length19.5mm)
- WATERPROOF LEVEL: IP67.
- OPERATING TEMPERATURE: -25°C TO +85°C.

Not to install the waterproof ring shipment

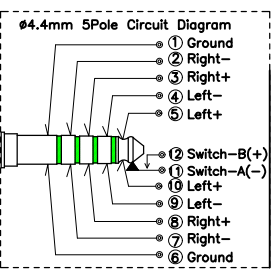


8E W 12 210 A E A

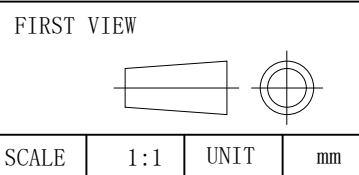
MODEL DEFINITION
 Mould Number:01
 Fixing Method:NO Column
 Interface Method:Convention Extended Opening
 Overall Length:21.0mm
 Pin Position:12PIN
 Mounting Method:DIP
 Product Series: 4.4mm Audio Jack



15	4.4mm Separator	Thermoplastics	Black UL 94-V0
14	4.4mm Housing		
13	4.4mm Sleeve	Copper Alloy	G/F On Contact Area
12	4.4mm Switch-B		&Solder Tails
11	4.4mm Switch-A	Stainless Steel	
5&10	4.4mm Left+		Au3u"on Contact Area
4&9	4.4mm Left-		G/F on Solder Tails
3&8	4.4mm Right+	Copper Alloy	
2&7	4.4mm Right-		Ni Plated Overall.
1&6	4.4mm GND		
Item	Name	Material	Description



GENERAL TOLERANCE			
		≥0~2<	±0.15
DESIGN	WANGGUIFA	2018.06.12	≥2~5<
CHECKED	ZHENGUILAN	2018.06.12	≥0~2<
APPROVED	LILIANJIANG	2018.06.14	≥5



The copyright belongs to samzo parts (China) Co., Ltd. please use the material after samzo parts agree to authorize. The final right of interpretation belongs to samzo parts. WWW.KKK-JP.COM

TITLE: 4.4mm 12P DIP JCAK
DWG NO: 8EW12210-P02
PART NO: 8EW122101502
MODEL NO: 8EW12210AEA
NAME: WATERPROOF SOCKET

SAMZO COMPONENTS
 Electronic switch and connector manufacturer