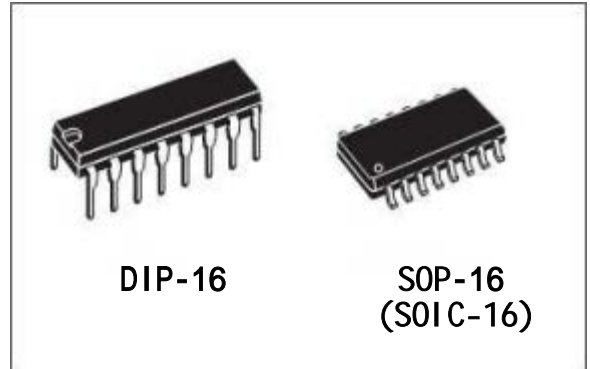




特性

- 工作电压范围 8—35V;
- 5.1 基准电压, 精度 $\pm 1\%$
- 振荡频率范围 100Hz—500KHz
- 振荡器同步信号输入端
- 死区时间可调
- 内置软启动电路
- 逐步脉冲关断
- 带滞回电压的输入欠压锁定
- PWM 锁定功能, 禁止多脉冲

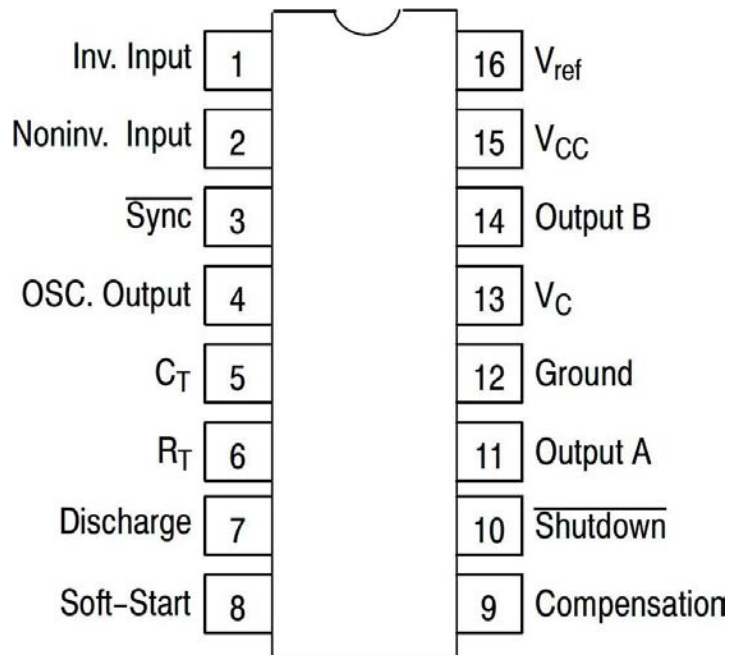


性能描述

芯片+5.1 基准电压精度为 $\pm 1\%$, 由于基准电压值在误差放大器的输入共模范围内, 因此无需外接电阻。SG3525 可以工作在主从模式、也可以与外部时钟同步。通过 C_T 与放电端之间的电阻可以调节死区时间。芯片内部的其它功能电路还包括: 软启动电路、关断电路、欠压电路。

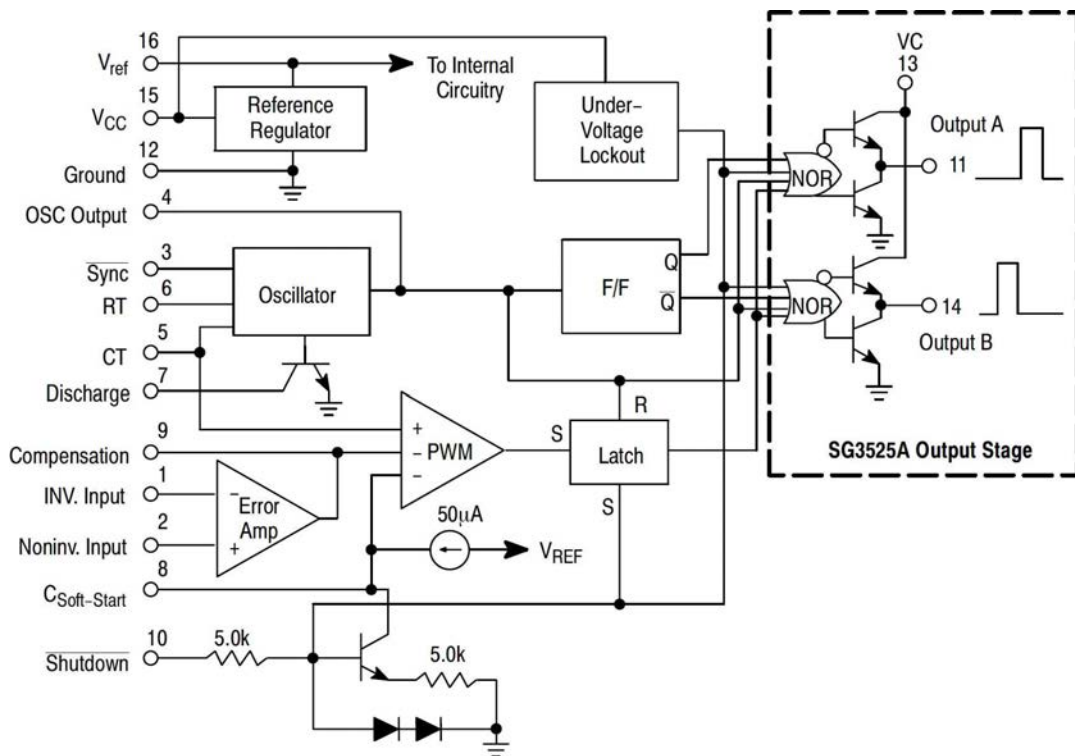
SG3525 控制芯片的输出级为大功率图腾柱式输出, 其源电流和吸电流超过 200mA, 其给出逻辑电平为“或非”逻辑, “断”状态时为低电平。

引脚图





内部框图



极限工作参数

Parameter	Symbol	Value	Unit
Supply Voltage	V _{CC}	40	V
Collector Supply Voltage	V _C	40	V
Output Current, Sink or Source	I _O	500	mA
Reference Output Current	I _{REF}	50	mA
Oscillator Charging Current	I _{CHG(OSC)}	5	mA
Power Dissipation (T _A = 25°C)	P _D	1000	m/W
Operating Temperature	T _{OPR}	0 ~ +70	°C
Storage Temperature	T _{STG}	-65 ~ +150	°C
Lead Temperature (Soldering, 10 sec)	T _{LEAD}	+300	°C



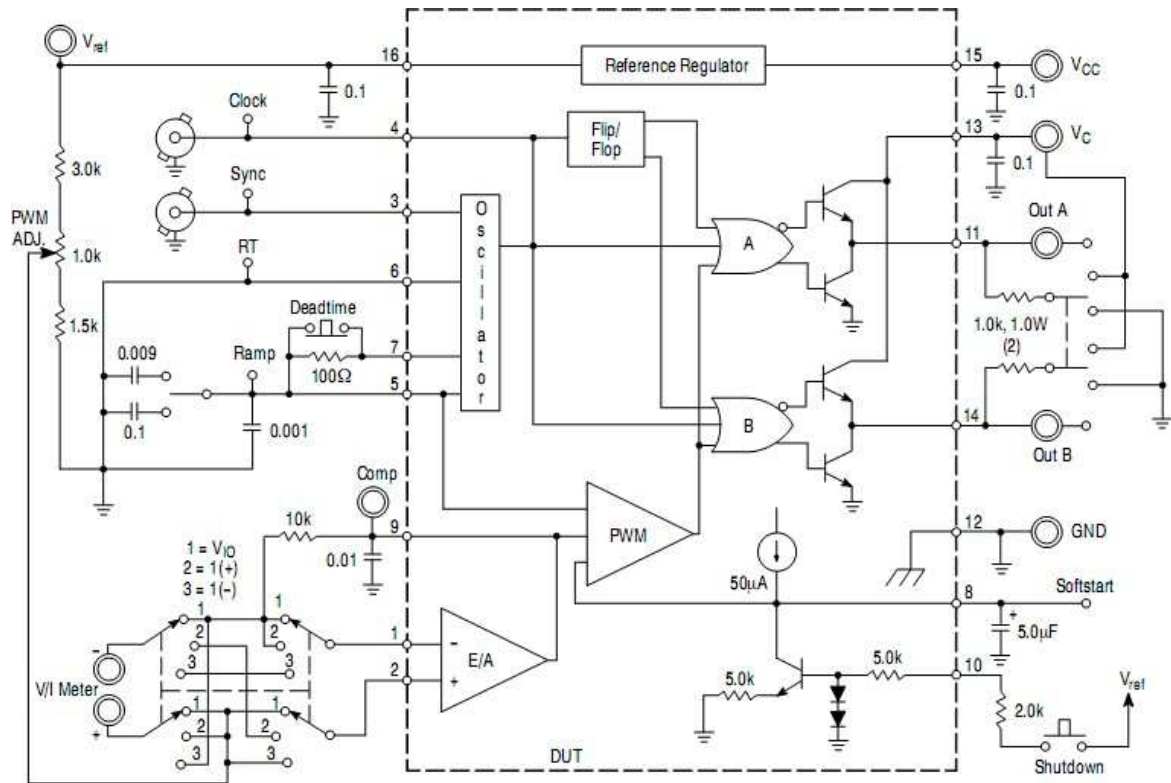
参数 (V_{CC}=20V)

Parameter	Symbol	Conditions	Min.	Typ.	Max.	Unit
REFERENCE SECTION						
Reference Output Voltage	V _{REF}	T _J = 25°C	5.0	5.1	5.2	V
Line Regulation	ΔV _{REF}	V _{CC} = 8 to 35V	-	9	20	mV
Load Regulation	ΔV _{REF}	I _{REF} = 0 to 20mA	-	20	50	mV
Short Circuit Output Current	I _{SC}	V _{REF} = 0, T _J = 25°C	-	80	100	mA
Total Output Variation (Note 1)	ΔV _{REF}	Line, Load and Temperature	4.95	-	5.25	V
Temperature Stability (Note 1)	STT	-	-	20	50	mV
Long Term Stability (Note 1)	ST	T _J = 125°C, 1 KHRs	-	20	50	mV
OSCILLATOR SECTION						
Initial Accuracy (Note 1, 2)	ACCUR	T _J = 25°C	-	± 3	± 6	%
Frequency Change With Voltage	Δf/ΔV _{CC}	V _{CC} = 8 to 35V (Note 1, 2)	-	± 0.8	± 2	%
Maximum Frequency	f _(MAX)	R _T = 2KΩ, C _T = 470pF	400	430	-	KHz
Minimum Frequency	f _(MIN)	R _T = 200KΩ, C _T = 0.1uF	-	60	120	Hz
Clock Amplitude (Note 1, 2)	V _(CLK)	-	3	4	-	V
Clock Width (Note 1, 2)	t _W (CLK)	T _J = 25°C	0.3	0.6	1	μs
Sync Threshold	V _{TH} (SYNC)	-	1.2	2	2.8	V
Sync Input Current	I _I (SYNC)	Sync = 3.5V	-	1.3	3.5	mA

ERROR AMPLIFIER SECTION (V_{CM} = 5.1V)						
Input Offset Voltage	V _{IO}	-	-	1.5	10	mV
Input Bias Current	I _{BIAS}	-	-	1	10	μA
Input Offset Current	I _{IO}	-	-	0.1	1	μA
Open Loop Voltage Gain	G _{VO}	R _L ≥ 10MΩ	60	80	-	dB
Common Mode Rejection Ratio	CMRR	V _{CM} = 1.5 to 5.2V	60	90	-	dB
Power Supply Rejection Ratio	PSRR	V _{CC} = 8 to 3.5V	50	60	-	dB
PWM COMPARATOR SECTION						
Minimum Duty Cycle	D _(MIN)	-	-	-	0	%
Maximum Duty Cycle	D _(MAX)	-	45	49	-	%
Input Threshold Voltage (Note 2)	V _{TH1}	Zero Duty Cycle	0.7	0.9	-	V
Input Threshold Voltage (Note 2)	V _{TH2}	Max Duty Cycle	-	3.2	3.6	V
SOFT-START SECTION						
Soft Start Current	I _{SOFT}	V _{SD} = 0V, V _{SS} = 0V	25	51	80	μA
Soft Start Low Level Voltage	V _S L	V _{SD} = 25V	-	0.3	0.7	V
Shutdown Threshold Voltage	V _{TH} (SD)	-	0.6	0.8	1	V
Shutdown Input Current	I _N (SD)	V _{SD} = 2.5V	-	0.3	1	mA
OUTPUT SECTION						
Low Output Voltage I	V _O L I	I _{SINK} = 20mA	-	0.1	0.4	V
Low Output Voltage II	V _O L II	I _{SINK} = 100mA	-	0.05	2	V
High Output Voltage I	V _O H I	I _{SOURCE} = 20mA	18	19	-	V
High Output Voltage II	V _O H II	I _{SOURCE} = 100mA	17	18	-	V
Under Voltage Lockout	V _{UV}	V ₈ and V ₉ = High	6	7	8	V
Collector Leakage Current	I _{LKG}	V _{CC} = 35V	-	80	200	μA
Rise Time (Note 1)	t _R	C _L = 1uF, T _J = 25°C	-	80	600	ns
Fall Time (Note 1)	t _F	C _L = 1uF, T _J = 25°C	-	70	300	ns
STANDBY CURRENT						
Supply Current	I _{CC}	V _{CC} = 35V	-	12	20	mA

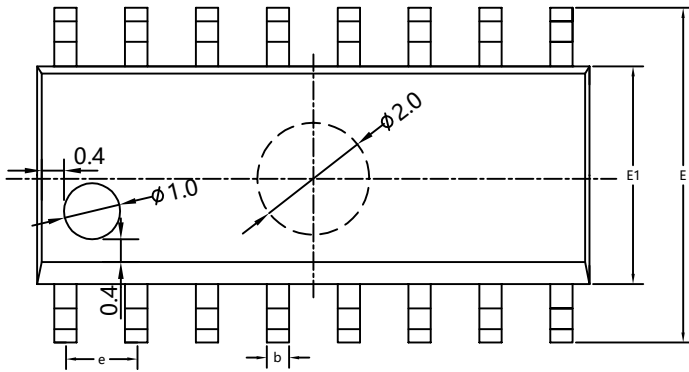
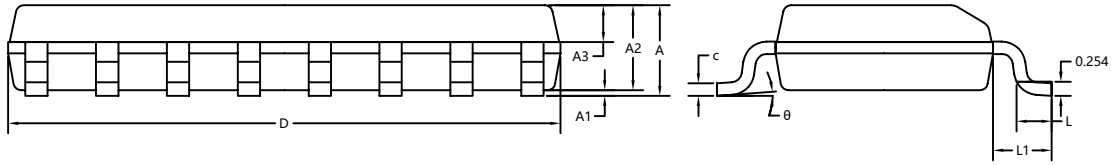


测试线路





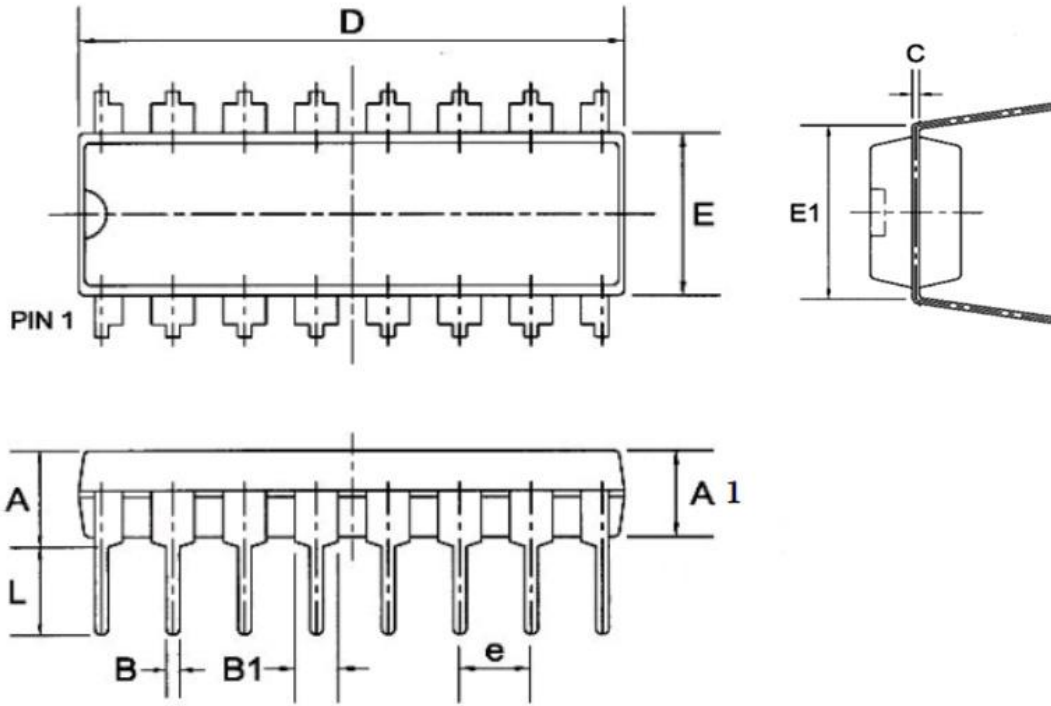
SOP-16(SOIC-16)封装信息



SYMBOL	MILLIMETER		
	MIN	NOM	MAX
A	1.50	1.60	1.70
A1	0.10	0.15	0.25
A2	1.40	1.45	1.50
A3	0.60	0.65	0.70
b	0.30	0.40	0.50
c	0.15	0.20	0.25
D	9.80	9.90	10.00
E	5.80	6.00	6.20
E1	3.85	3.90	3.95
e	1.27BSC		
L	0.50	0.60	0.70
L1	1.05BSC		
theta	0°	4°	8°



DIP-16封装信息



Symbol	Dimensions in Millimeters		
	Min	Nom	Max
A	--	--	4.31
A1	3.15	3.30	3.65
B	--	0.50	--
B1	--	1.6	--
C	--	0.27	--
D	19.00	19.20	19.60
E	6.20	6.50	6.60
E1	--	8.0	--
e	--	2.3	--
L	3.00	3.20	3.60



Attention

- Any and all HUA XUAN YANG ELECTRONICS products described or contained herein do not have specifications that can handle applications that require extremely high levels of reliability, such as life-support systems, aircraft's control systems, or other applications whose failure can be reasonably expected to result in serious physical and/or material damage. Consult with your HUA XUAN YANG ELECTRONICS representative nearest you before using any HUA XUAN YANG ELECTRONICS products described or contained herein in such applications.
- HUA XUAN YANG ELECTRONICS assumes no responsibility for equipment failures that result from using products at values that exceed, even momentarily, rated values (such as maximum ratings, operating condition ranges, or other parameters) listed in products specifications of any and all HUA XUAN YANG ELECTRONICS products described or contained herein.
- Specifications of any and all HUA XUAN YANG ELECTRONICS products described or contained herein stipulate the performance, characteristics, and functions of the described products in the independent state, and are not guarantees of the performance, characteristics, and functions of the described products as mounted in the customer's products or equipment. To verify symptoms and states that cannot be evaluated in an independent device, the customer should always evaluate and test devices mounted in the customer's products or equipment.
- HUA XUAN YANG ELECTRONICS CO.,LTD. strives to supply high-quality high-reliability products. However, any and all semiconductor products fail with some probability. It is possible that these probabilistic failures could give rise to accidents or events that could endanger human lives, that could give rise to smoke or fire, or that could cause damage to other property. When designing equipment, adopt safety measures so that these kinds of accidents or events cannot occur. Such measures include but are not limited to protective circuits and error prevention circuits for safe design, redundant design, and structural design.
- In the event that any or all HUA XUAN YANG ELECTRONICS products(including technical data, services) described or contained herein are controlled under any of applicable local export control laws and regulations, such products must not be exported without obtaining the export license from the authorities concerned in accordance with the above law.
- No part of this publication may be reproduced or transmitted in any form or by any means, electronic or mechanical, including photocopying and recording, or any information storage or retrieval system, or otherwise, without the prior written permission of HUA XUAN YANG ELECTRONICS CO.,LTD.
- Information (including circuit diagrams and circuit parameters) herein is for example only ; it is not guaranteed for volume production. HUA XUAN YANG ELECTRONICS believes information herein is accurate and reliable, but no guarantees are made or implied regarding its use or any infringements of intellectual property rights or other rights of third parties.
- Any and all information described or contained herein are subject to change without notice due to product/technology improvement, etc. When designing equipment, refer to the "Delivery Specification" for the HUA XUAN YANG ELECTRONICS product that you intend to use.