

2-1969603-4 ✓ ACTIVE



VAL-U-LOK

TE Internal #: 2-1969603-4

Housing, Receptacle, Wire-to-Board / Wire-to-Wire, 24 Position, 4.2 mm [.165 in] Centerline, Wire & Cable, UL 94V-2, Rectangular Power Connectors

[View on TE.com >](#)

Connectors > Power Connectors > Rectangular Power > Rectangular Power Connectors



Rectangular Power Connector Type: **Housing**

Connector & Housing Type: **Receptacle**

Connector System: **Wire-to-Board, Wire-to-Wire**

Number of Positions: **24**

Centerline (Pitch): **4.2 mm [.165 in]**

Features

Product Type Features

| | |
|-----------------------------------|-----------------------------|
| Rectangular Power Connector Type | Housing |
| Connector & Housing Type | Receptacle |
| Connector System | Wire-to-Board, Wire-to-Wire |
| Sealable | No |
| Connector & Contact Terminates To | Wire & Cable |

Configuration Features

| | |
|---------------------|----|
| Number of Positions | 24 |
| Number of Rows | 2 |

Electrical Characteristics

| | |
|-------------------|---------|
| Operating Voltage | 600 VAC |
|-------------------|---------|

Contact Features

| | |
|----------------------------------|------------|
| Contact Retention Within Housing | Without |
| Contact Type | Receptacle |



Termination Features

| | |
|------------------------------------|-------|
| Termination Method to Wire & Cable | Crimp |
|------------------------------------|-------|

Mechanical Attachment

| | |
|-------------------------|----------------------------|
| Connector Mounting Type | Cable Mount (Free-Hanging) |
|-------------------------|----------------------------|

Housing Features

| | |
|--------------------|------------------|
| Centerline (Pitch) | 4.2 mm [.165 in] |
| Housing Color | White |
| Housing Material | Polyamide |

Dimensions

| | |
|--------------------|--------------------|
| Connector Height | 11.7 mm [.461 in] |
| Product Width | 19.8 mm [.779 in] |
| Product Length | 51.6 mm [2.031 in] |
| Row-to-Row Spacing | 4.2 mm [.165 in] |

Usage Conditions

| | |
|-----------------------------|-----------------------------|
| Operating Temperature Range | -40 – 105 °C [-40 – 221 °F] |
|-----------------------------|-----------------------------|

Operation/Application

| | |
|---------------------|----------------|
| Circuit Application | Power & Signal |
|---------------------|----------------|

Industry Standards

| | |
|---|---------------------------|
| CSA Rating | 208567 |
| UL Rating | Recognized |
| Compatible With Agency/Standards Products | CSA, UL |
| Compatible With Approved Standards Products | UL E28476 |
| UL Flammability Rating | UL 94V-2 |
| Glow Wire Rating | GWT 750°C (Without Flame) |

Packaging Features

| | |
|--------------------|-----|
| Packaging Quantity | 500 |
| Packaging Method | Bag |

Product Compliance

For compliance documentation, visit the product page on [TE.com](https://www.te.com)>

| | |
|------------------------------|-----------|
| EU RoHS Directive 2011/65/EU | Compliant |
| EU ELV Directive 2000/53/EC | Compliant |

| | |
|---|---|
| China RoHS 2 Directive MIIT Order No 32, 2016 | No Restricted Materials Above Threshold |
| EU REACH Regulation (EC) No. 1907/2006 | Current ECHA Candidate List: JUNE 2024 (241) Candidate List Declared Against: JUNE 2024 (241) Does not contain REACH SVHC |
| Halogen Content | Not Low Halogen - contains Br or Cl > 900 ppm. |
| Solder Process Capability | Not reviewed for solder process capability |

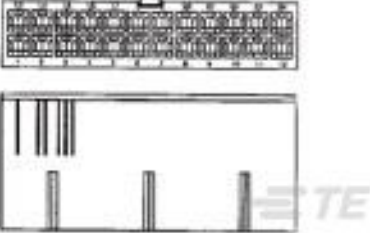
Product Compliance Disclaimer

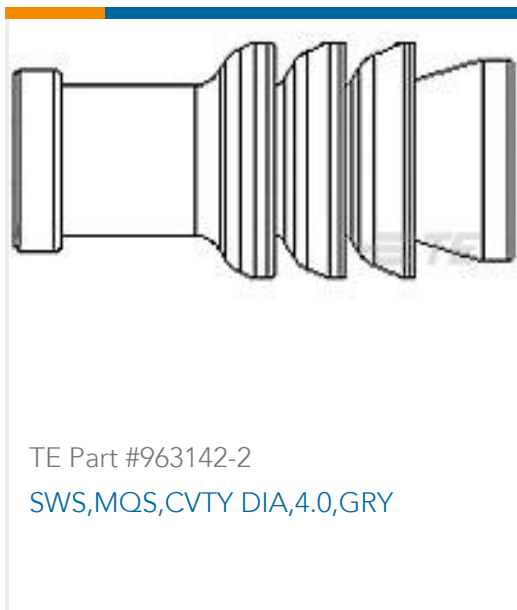
This information is provided based on reasonable inquiry of our suppliers and represents our current actual knowledge based on the information they provided. This information is subject to change. The part numbers that TE has identified as EU RoHS compliant have a maximum concentration of 0.1% by weight in homogenous materials for lead, hexavalent chromium, mercury, PBB, PBDE, DBP, BBP, DEHP, DIBP, and 0.01% for cadmium, or qualify for an exemption to these limits as defined in the Annexes of Directive 2011/65/EU (RoHS2). Finished electrical and electronic equipment products will be CE marked as required by Directive 2011/65/EU. Components may not be CE marked. Additionally, the part numbers that TE has identified as EU ELV compliant have a maximum concentration of 0.1% by weight in homogenous materials for lead, hexavalent chromium, and mercury, and 0.01% for cadmium, or qualify for an exemption to these limits as defined in the Annexes of Directive 2000/53/EC (ELV). Regarding the REACH Regulation, the information TE provides on SVHC in articles for this part number is based on the latest European Chemicals Agency (ECHA) 'Guidance on requirements for substances in articles' posted at this URL: <https://echa.europa.eu/guidance-documents/guidance-on-reach>

Compatible Parts

| | |
|--|--|
|  <p>TE Part # 2-1969604-4 24P FH PLUG VAL-U-LOK FH GW</p> |  <p>TE Part # 2-1969605-4 24P PM PLUG VAL-U-LOK PM GW</p> |
|--|--|

Customers Also Bought

| | | | |
|---|---|---|--|
|  <p>TE Part #284742-1 60 POS CONN + COVER AND CPS KI</p> |  <p>TE Part #42565-2 FF 250 TAB 18-14AWG TPBR PRE CRIMPED</p> |  <p>TE Part #1586000-4 4P FH PLUG VAL-U-LOK V2</p> |  <p>TE Part #1-1670917-1 3POS, MCON 1.2 LL REC SEALED</p> |
|---|---|---|--|



TE Part #963142-2
SWS,MQS,CVTY DIA,4.0,GRY



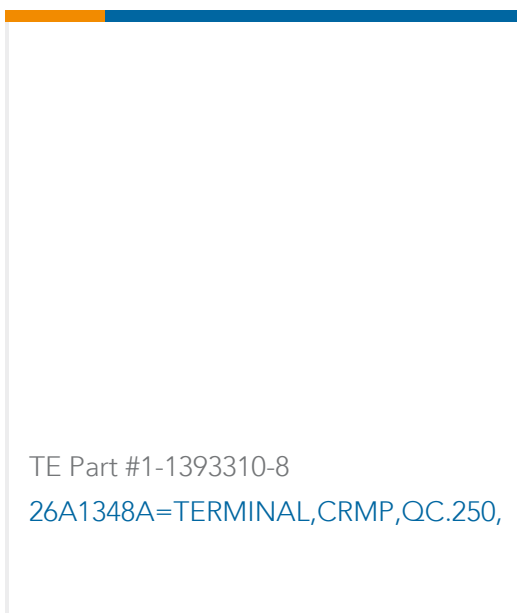
TE Part #1-66103-7
III+ PIN,24-20, 30AU/SN,SMPACK



TE Part #6-1393302-3
V23134A1053C643-EV-CBOX



TE Part #1-1924067-1
2POS, MCON 1.2 CB REC 2p TL
SEALED



TE Part #1-1393310-8
26A1348A=TERMINAL,CRMP,QC.250,

Documents

Product Drawings

[24P RCPT VAL-U-LOK GW](#)

English

CAD Files

[3D PDF](#)

3D

Customer View Model

[ENG_CVM_CVM_2-1969603-4_A_c-2-1969603-4-a.2d_dxf.zip](#)

English

Customer View Model

[ENG_CVM_CVM_2-1969603-4_A_c-2-1969603-4-a.3d_igs.zip](#)

English

Customer View Model

[ENG_CVM_CVM_2-1969603-4_A_c-2-1969603-4-a.3d_stp.zip](#)

English

By downloading the CAD file I accept and agree to the [Terms and Conditions](#) of use.

Datasheets & Catalog Pages

[1-1773730-3 VAL-U-LOK Connectors with TPA Flyer](#)

English

Product Specifications

[Application Specification](#)

English

Instruction Sheets

[Instruction Sheet \(U.S.\)](#)



English

[Agency Approvals](#)

[UL Report](#)

English