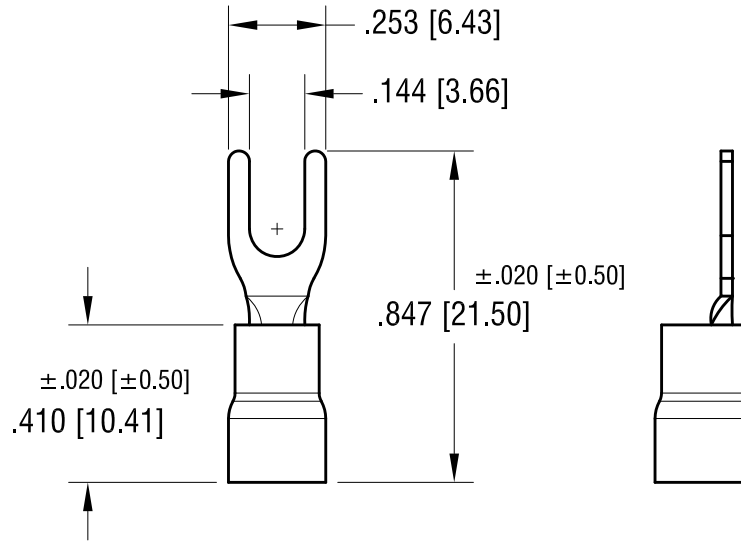


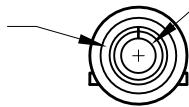
THIS DOCUMENT IS THE PROPERTY OF KEYSTONE ELECTRONICS CORP. AND SHALL NOT BE REPRODUCED, DISTRIBUTED OR USED AS A BASIS FOR MANUFACTURE WITHOUT PRIOR WRITTEN PERMISSION FROM KEYSTONE ELECTRONICS CORP.



ACTUAL SIZE



I.D. TO ACCEPT
Ø.170 [Ø4.32] MAX.
INSULATION DIA.



ACCOMMODATE WIRE
16/14 AWG

NOTE:

1. TERMINAL: .030 [0.76] TH'K COPPER, TIN PLATE
INSULATOR: VINYL, BLUE
2. ACCOMMODATES WIRE RANGE 16/14 AWG

7.13.23	UPDATE PER NEW TOOLING CHANGE AS PER ECN 23-121	B
5.05.23	UPDATE PER NEW TOOLING CHANGE AS PER ECRN 23-072	A
DATE	DESCRIPTION	REV.

KEYSTONE ELECTRONICS CORP.			
www.keyelco.com • NEW HYDE PARK NY 11040 • Tel (516)328-7500			
PART NAME INSULATED BLOCK SPADE TERMINAL			
MATERIAL AS NOTED			
FINISH AS NOTED		DRN BY BOONE	DATE 10.30.07
		APP'D RH	SCALE 2X
TOLERANCES DECIMAL ANGULAR UNLESS OTHERWISE SPECIFIED	INCH [MM] ±.010 [±0.25] ± 1°	CODE C	DWG NO. 8230