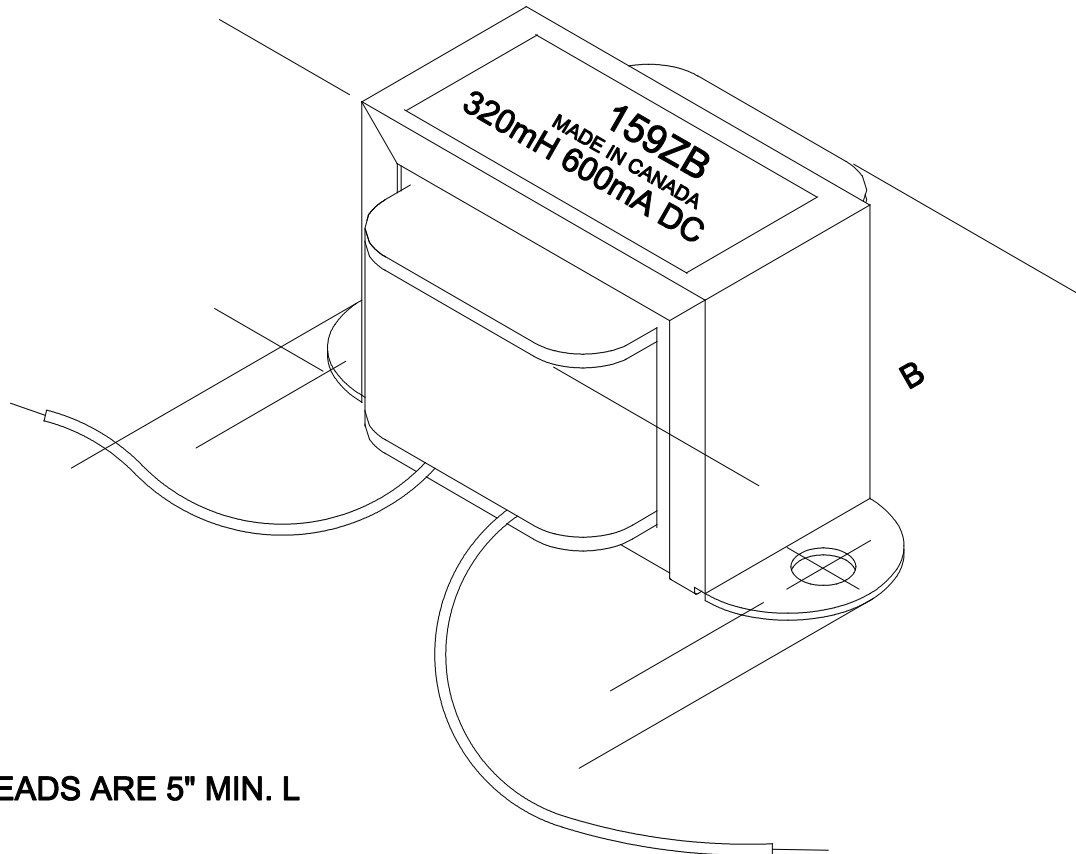
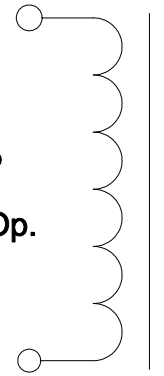


DIMENSIONS:

A	3.250" ±0.063
B	2.000" ±0.125
C	1.938" ±0.063
D	2.813" ±0.063
G	0.187" ±0.063

320mH ±15%
600mA DC
500VDC MAX. Op.



NOTE: ALL LEADS ARE 5" MIN. L

ELECTRICAL DATA:

TESTS	CONDITIONS	ACCEPTANCE CRITERIA
INDUCTANCE	@ 30V, 60Hz, 600mA DC, BLK - BLK	320mH ±15%
DCR	@ 20°C, BLK - BLK =	7.818 Ω ±15%
HIPOT	PRIMARY - SECONDARY	1500V, 60Hz, 1 SEC



**HAMMOND
MANUFACTURING™**

ELECTRONIC DIVISION
52 RANKIN PLACE,
WATERLOO, ONTARIO, N2J 3Z5
PH # (519) 886-6181
FAX # (519) 886-9540

TITLE				159ZB
CHOKE				
NO	DATE	REVISION	DWG. BY	
0	10/01/12	RELEASED.	C.I. CORINA ILIE	
			DATE 10/01/12	
			DIM IN(X)MM()	