

**eCOM pluggable PCB connector with straight solder pins; without gripping plate; 6-pole; pin spacing 3.5 mm / 0.138 in**

Item No.: 2091-1176



eCOM pluggable PCB connector with straight solder pins; without gripping plate; 6-pole; pin spacing 3.5 mm / 0.138 in

**Marking**

RoHS ✓  
Compliant

**Business data**

Supplier	WAGO
Item no.	2091-1176
GTIN / EAN	4050821162445
Content	1
Order amount	100
Customer item number	

**Notes**

Universal connection for all conductor types Simple, push-in termination of solid and ferruled conductors Easy-to-use design does not require special tools Ability to wire while mated or unmated Integrated test ports for testing parallel to conductor entry Custom-installed solder pins

**Technical data**

*Miscellaneous*

No. of Poles	6
Pin Spacing	3.5 mm (0.138 in %)
Total number of connection points	6
Total number of potentials	6
Color	light gray
Ratings according to 1	IEC/EN 60664-1

<b>Technical data</b>	
Overvoltage category EN 1	III
Pollution degree (1)	2
Rated voltage EN (1) [V]	160 [V]
Rated surge voltage (1) [kV]	2.5 [kV]
Nominal current [A]	10 [A]
Overvoltage category EN 2	II
Degree of pollution (2)	2
Rated voltage EN (2) [V]	320 [V]
Rated surge voltage (2) [kV]	2.5 [kV]
Nominal current (2) [A]	10 [A]
Overvoltage category EN 3	III
Degree of pollution (3)	3
Rated voltage EN (3) [V]	160 [V]
Rated surge voltage (3) [kV]	2.5 [kV]
Nominal current (3) [A]	10 [A]
Number of individual connection objects at the product	1
Connection technology (1)	Push-in CAGE CLAMP®
Solid sizes 1	0.2 ... 1.5 mm <sup>2</sup> / 24 ... 14 AWG
Fine-stranded wires 1	0.2 ... 1.5 mm <sup>2</sup> / 24 ... 14 AWG
Fine-stranded wires with insulated ferrule 1	0.25 ... 0.75 mm <sup>2</sup> / ...
Fine-stranded wires with uninsulated ferrule 1	0.25 ... 1.5 mm <sup>2</sup> / ...
Strip length 1	8 ... 9 mm / 0.31 ... 0.35 in
Solder pin length [mm]	3.6 [mm]
Solder pin diameter [mm]	1 [mm]
Tolerance of drilled hole [mm]	1.2(+ 0.1) [mm]
Material group	I
Insulating material	Polyphthalamide glass fiber (PPA-GF)
Flammability rating per UL 94	V0
Limit temperature range	-60 C ... 100 C
Clamping spring material	Chrome-nickel spring steel (CrNi)
Contact material	Electrolytic copper (Ecu)
Contact plating	tin-plated
Fire load [MJ]	0.065 [MJ]
Weight [g]	3.212 [g]

Printview: eCOM pluggable PCB connector with straight solder pins; without gripping plate; 6-pole; pin spacing 3.5 mm / 0.138 in - Item No.: 2091-1176

#### Technical data

<i>Width</i>	<i>21 mm / 0.827 in</i>
<i>Height</i>	<i>14 mm / 0.551 in</i>
<i>Length</i>	<i>11.4 mm / 0.449 in</i>

#### Approbation

Item No.	Registration	Registration no.	Voltage [V]	Current [A]	Cross section [mm <sup>2</sup> , AWG]
<i>2091-1176</i>	<i>CCA</i>	<i>2160211.01</i>	<i>160</i>	<i>10</i>	<i>0.20-1.50</i>
<i>2091-1176</i>	<i>UL</i>	<i>e45171</i>	<i>300</i>	<i>10</i>	
<i>2091-1176</i>	<i>UL</i>	<i>E45172</i>	<i>300</i>	<i>10</i>	<i>24 - 16</i>

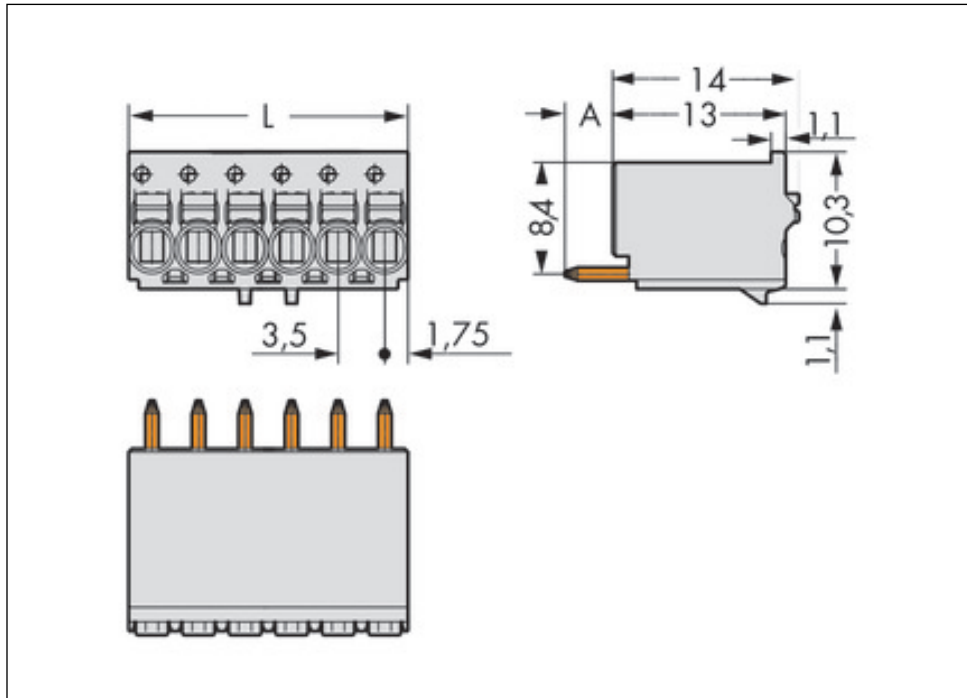
#### Accessories

##### General accessory

Item no.	Description	Pack. unit (Sub Pack)
210-719	Operating tool with partially insulated shaft; Type 1, blade (2.5 x 0.4) mm; suitable for 279, 726, 727, 2000, 2001 and 2020 series	1

Images & drawings





#### Address

WAGO Kontakttechnik GmbH & Co. KG

Hansastr. 27

32423 Minden

Telefon: 0571/887-0

Fax: 0571/887-169

<http://www.wago.com>

© WAGO Kontakttechnik GmbH & Co. KG

Technische Änderungen und Irrtümer vorbehalten.