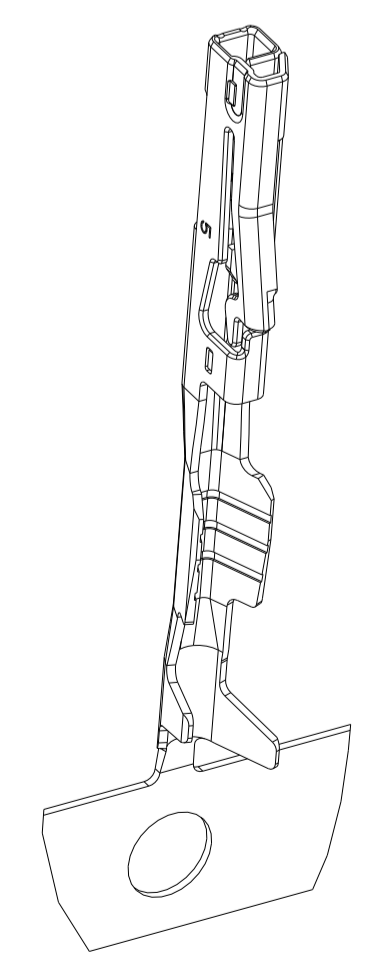
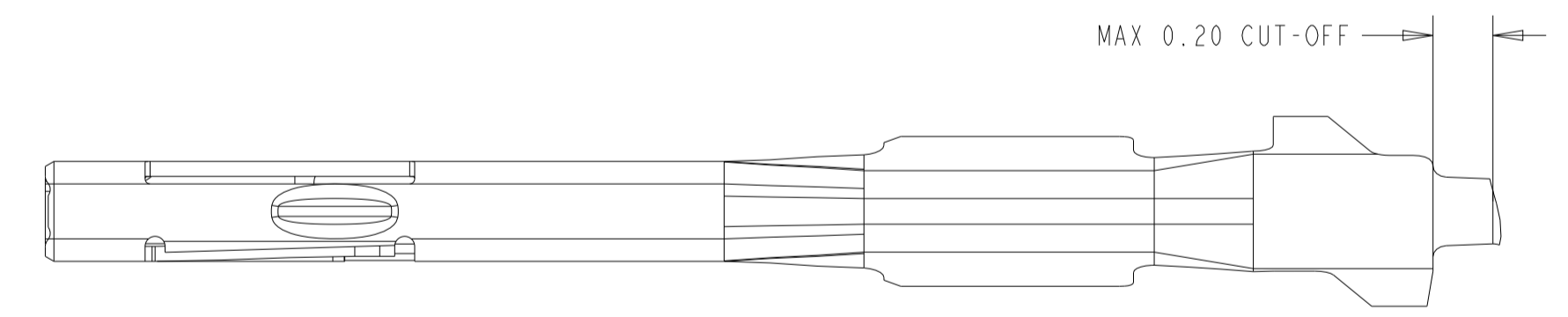
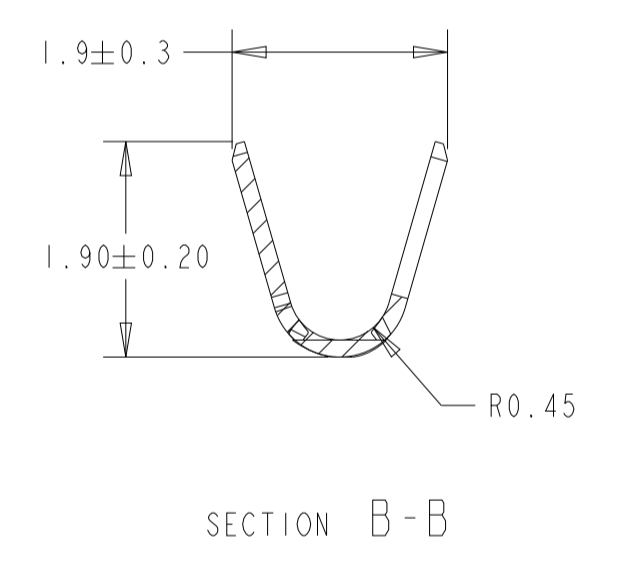
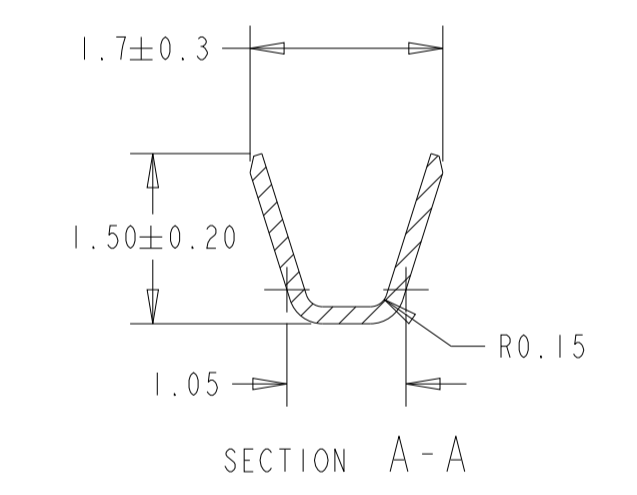
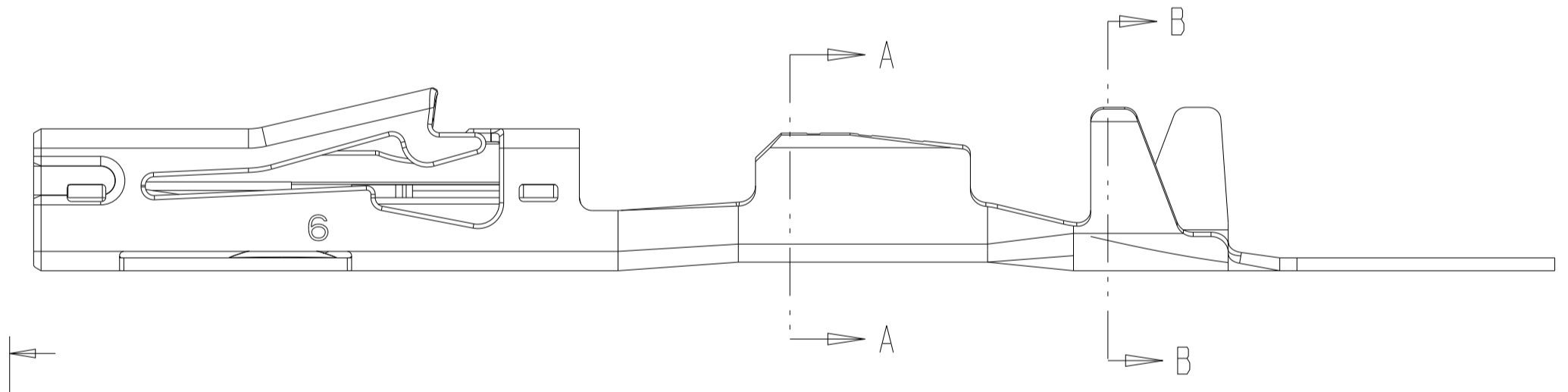
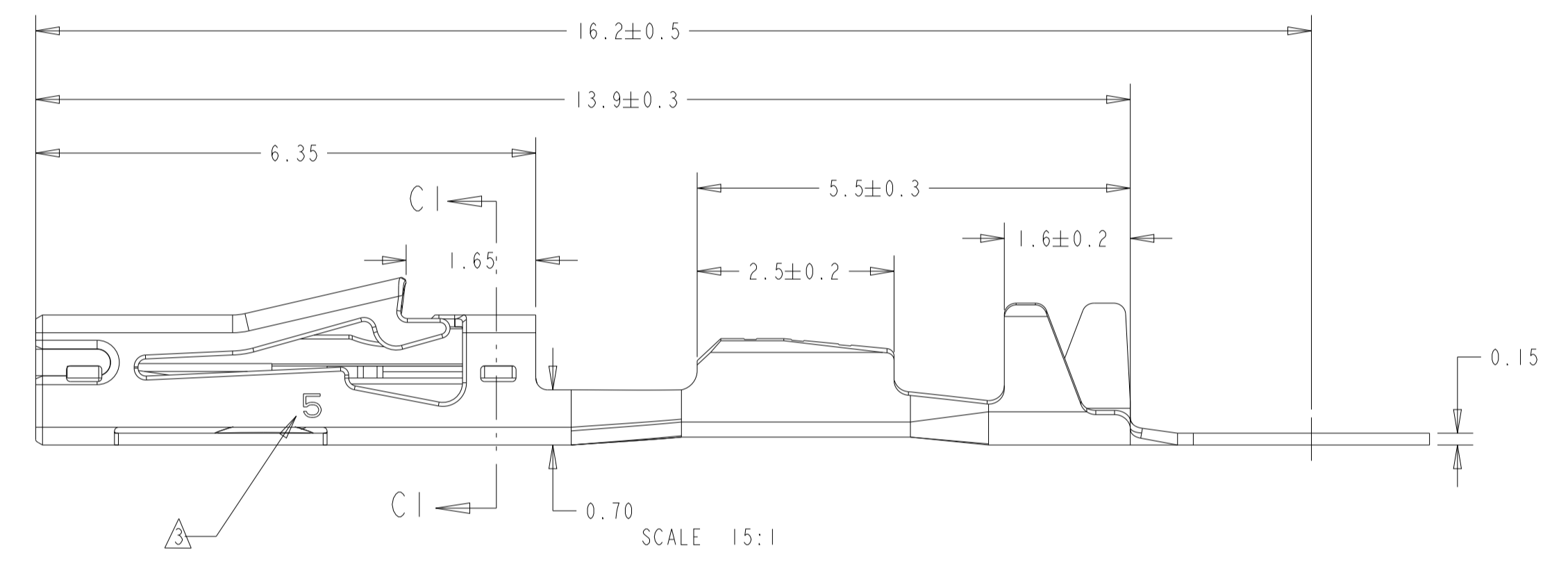
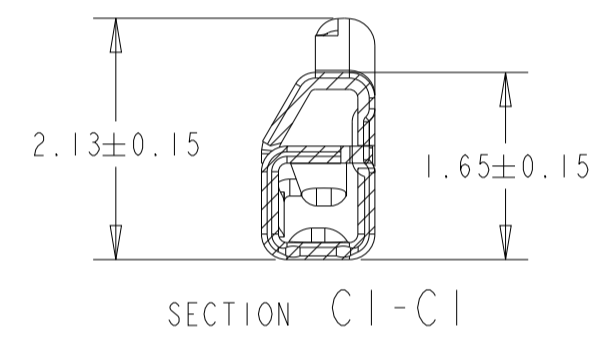
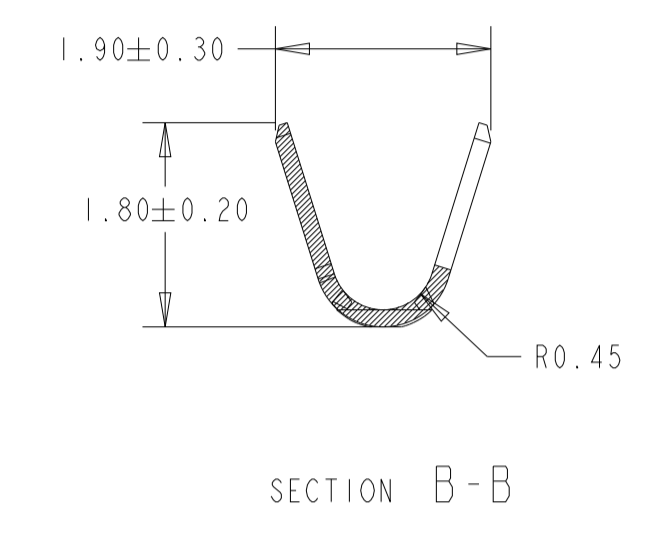
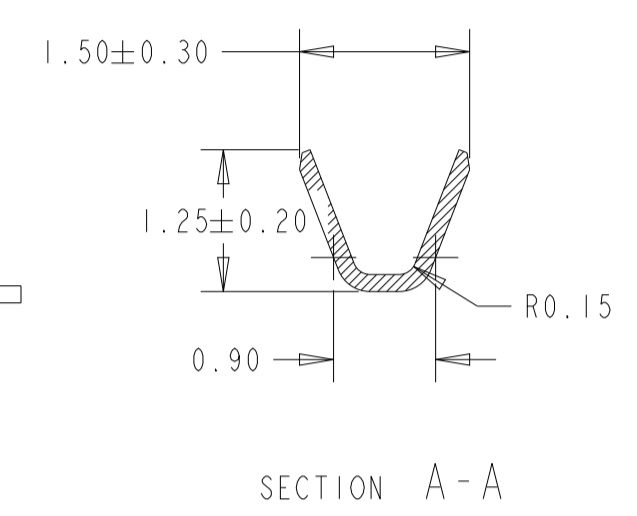
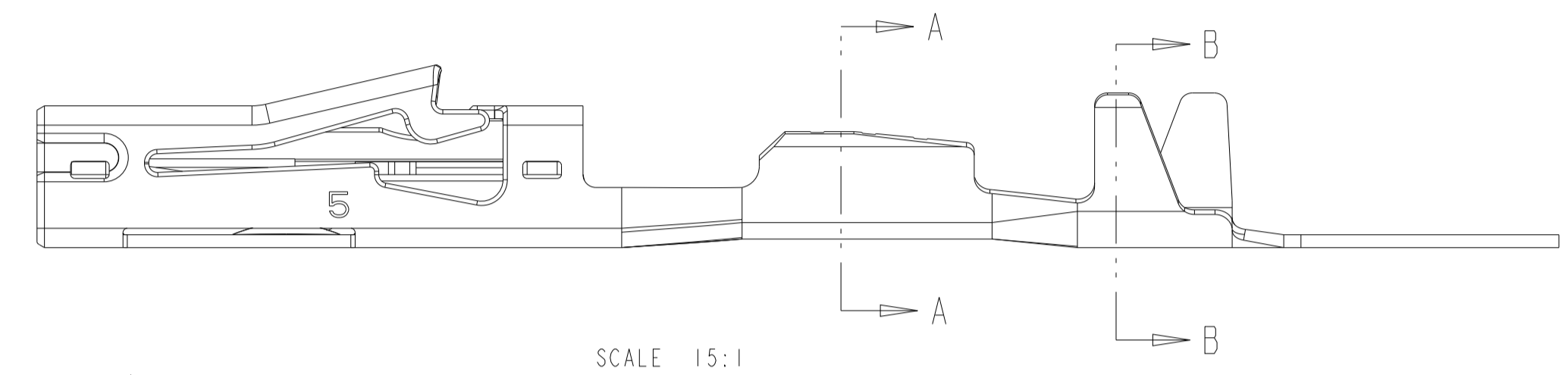
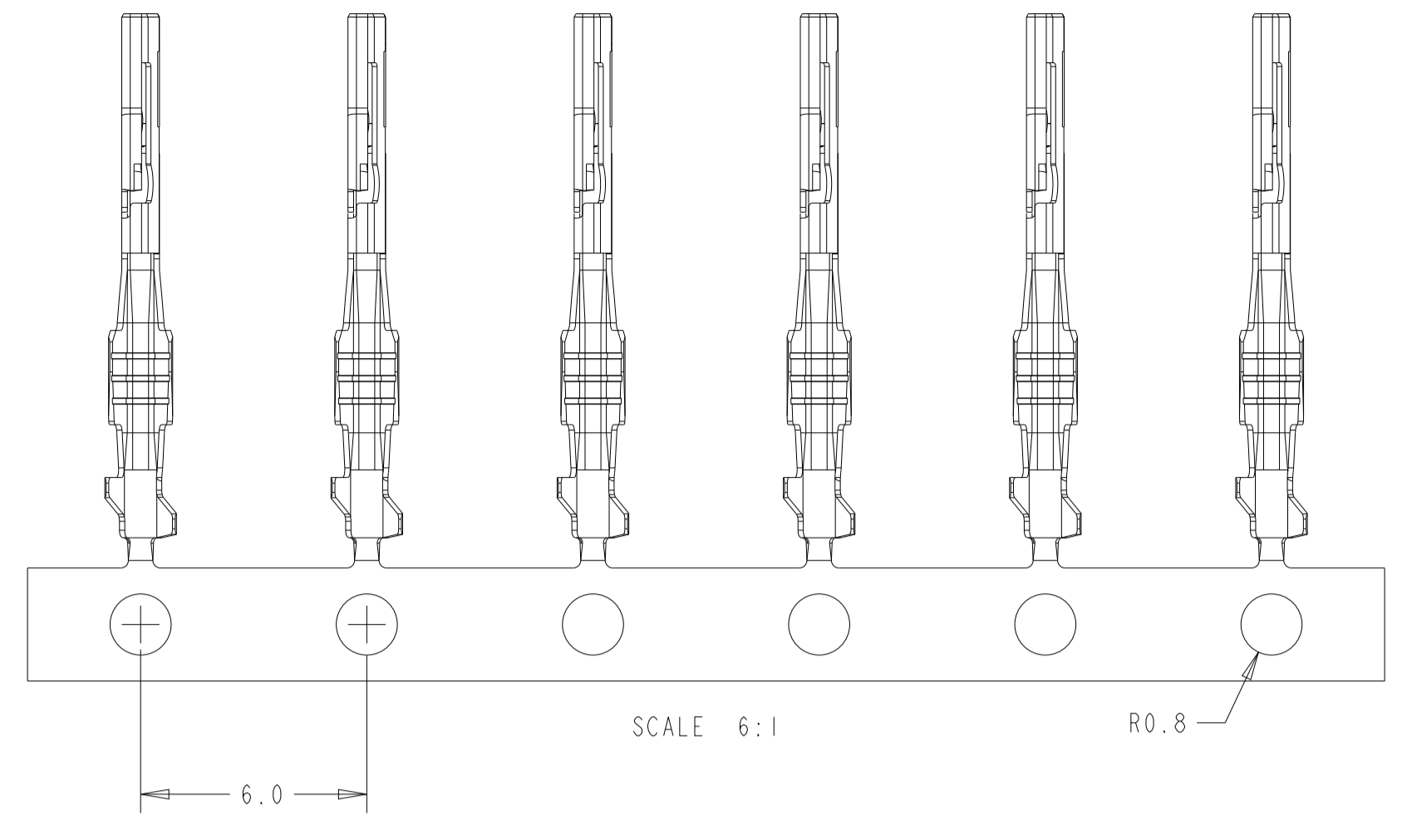


REVISIONS				
P	LTN	DESCRIPTION	DATE	APVD
I		INITIAL RELEASE	12JUL2021	F, F M, S
A		ECR-21-123282	07DEC2021	F, F M, S

- NOTE:
1. MATERIAL: COPPER ALLOY
THICKNESS: 0.15MM
 2. PLATING:
TIN PLATING OVER NICKEL PLATING OVERALL
 3. PART NUMBER ABBREVIATION ON BOTH SIDES.
 4. PACKAGED IN REEL INSIDE OF CARTON.



0.95...1.30 mm	0.22...0.35 mm ²	2834464-6
0.85...1.10 mm	0.13...0.17 mm ²	2834464-5
INSUL.DIA ISO∅	WIRE-SIZE DGB	PART NUMBER

THIS DRAWING IS A CONTROLLED DOCUMENT.

DIMENSIONS:	TOLERANCES UNLESS OTHERWISE SPECIFIED:	OWN: FRANK FAN 12JUL2021	CHK: GEORGE FU 12JUL2021	TE Connectivity			
mm	0 PLC ±0.5 1 PLC ±0.3 2 PLC ±0.15 3 PLC ± 4 PLC ± ANGLES ±	APVD: MING SHI 12JUL2021	NAME: SOCKET CONTACT FOR MINIDYNAMIC				
MATERIAL:	FINISH:	PRODUCT SPEC: 108-137443	APPLICATION SPEC: 114-137526	SIZE: A	CAGE CODE: 00779	DRAWING NO: 2834464	RESTRICTED TO:
CUSTOMER DRAWING		WEIGHT:	SCALE: 7:1	SHEET: 1	OF: 1	REV: A	