

SPECIFICATIONS

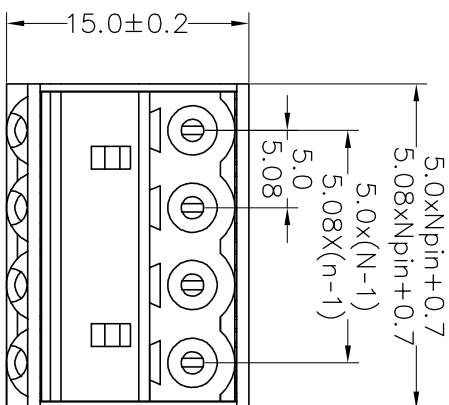
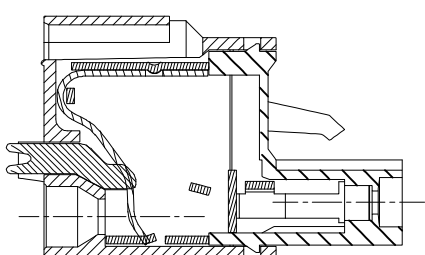
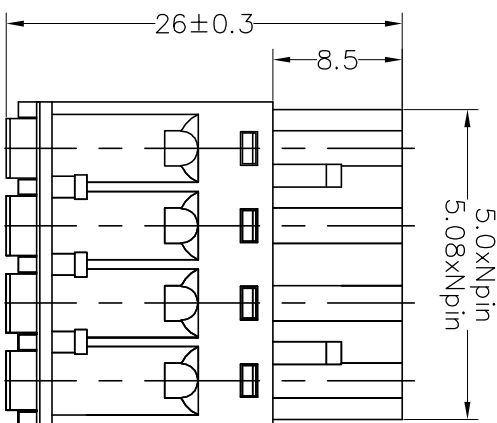
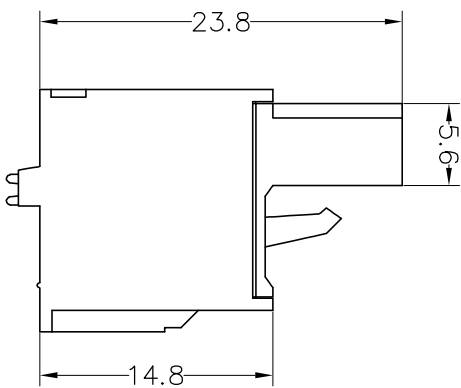
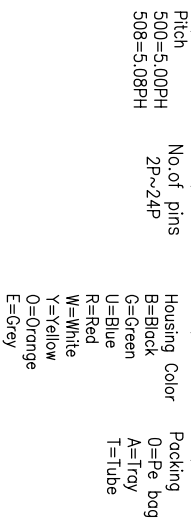
Rated(额定参数): 300V,10A
 Dielectric strength(抗电强度): AC2000V/1 Minute
 Insulation Resistance(绝缘电阻):1000MΩ Min
 Contact Resistance(接触电阻):20mΩ Max
 Wire Range(线径):26~12AWG
 Strip length(剥线长度):10~11mm
 Temp. range(操作温度):-40℃~+105℃
 MAX Soldering(瞬时温度):+250℃,5s

Housing Material(塑件): PA66 (UL94 V-0)
 Contact(端子): Phosphor Bronze, Tin plating(磷铜镀锡)

PITCH RANGE		NOMINAL DIMENSION RANGE	
IN MM	OVER	IN MM	OVER
6	10	30	60
T0	T0	T0	T0
6	24	30	60
±0.10	±0.15	±0.25	±0.30
		±0.30	±0.50
		±0.70	±1.00

Ordering Information

JL2EDGKD-XXX XX G X 1



REV	DATE	MODIFICATION DESCRIPTION	CHANGE	DIM	TOL	APPROVE	SCALE	FIT	SHEET	PROJ.	PART NO.	TITLE:
A0	2018.06.07	NEW DRAWING		Angle	±3°	CHECK	A4	1/1			JL2EDGKD-XXXXGX1	5.00/5.08 Pitch Female Pluggable Terminal Blocks
1												

JILIN 深圳市锦凌电子有限公司
 SHENZHEN JINLING ELECTRONIC CO.,LTD
 Tel: 86-755-2997-5806/5802 Fax: 86-755-2997-5992