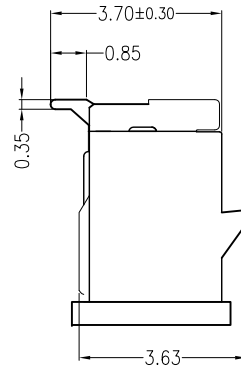
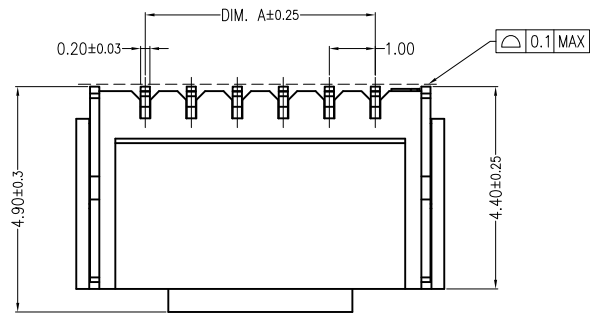


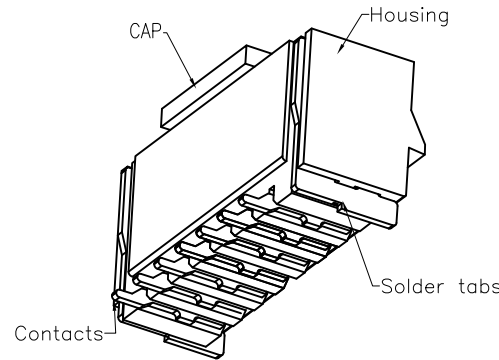
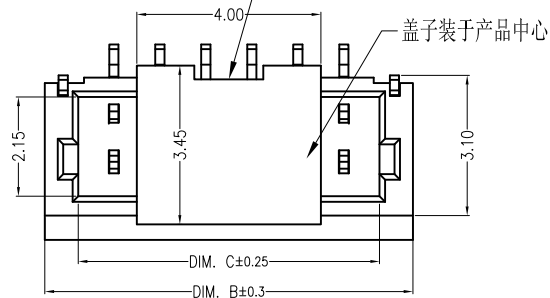
| 修订 REV | 标记 MARK | 修改摘要 REVISION DESCRIPTION | 签名 SIGNATURE | 日期 DATE |
|-----------|------------|------------------------------|-----------------|------------|
| AO | | NEW RELEASE | 黄艳兰 | 2019-03-29 |



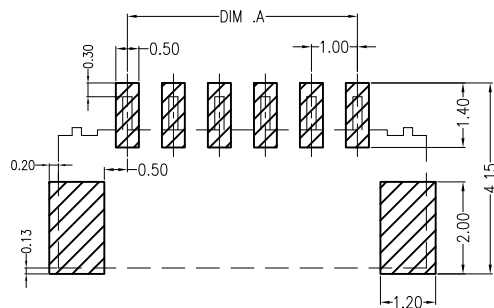
Specifications:

Contact resistance: $\leq 20\text{m}\Omega$
 Insulation resistance: $\geq 100\text{M}\Omega$
 Rated voltage: 50V AC DC
 Rated current: 1.0A AC DC
 Withstand voltage: 500V AC/minute
 Temperature range: $-25^{\circ}\text{C} \sim +105^{\circ}\text{C}$
 Housing: LCP UL94V-0, Natural
 CAP: LCP UL94V-0, Natural
 Contacts: Phosphor bronze (Matte sn/Gold plating)
 Solder tabs: Phosphor bronze/Matte sn

缺口为浇口工艺，减少自动机加盖卡料，
 缺口位置不固定，也可在另一侧



| Circuit | Dimensions (mm) | | |
|---------|-----------------|--------|--------|
| | DIM. A | DIM. B | DIM. C |
| 02 | 1.00 | 4.00 | 2.45 |
| 03 | 2.00 | 5.00 | 3.45 |
| 04 | 3.00 | 6.00 | 4.45 |
| 05 | 4.00 | 7.00 | 5.45 |
| 06 | 5.00 | 8.00 | 6.45 |
| 07 | 6.00 | 9.00 | 7.45 |
| 08 | 7.00 | 10.00 | 8.45 |
| 09 | 8.00 | 11.00 | 9.45 |
| 10 | 9.00 | 12.00 | 10.45 |
| 11 | 10.00 | 13.00 | 11.45 |
| 12 | 11.00 | 14.00 | 12.45 |
| 13 | 12.00 | 15.00 | 13.45 |
| 14 | 13.00 | 16.00 | 14.45 |
| 15 | 14.00 | 17.00 | 15.45 |
| 16 | 15.00 | 18.00 | 16.45 |
| 20 | 19.00 | 22.00 | 20.45 |



Recommend PCB Layout



深圳市华德共创科技有限公司

Shenzhen Huade co-create Technology Co., LTD

TEL : 0755-27129737 FAX : 0755-29940187

| -TOLERANCES- UNLESS OTHERWISE SPECIFIED 公差参数表 | | | |   | | TITLE: 产品名称: SH1.0带锁立贴 | | | |
|---|-------|--------|-----|---|-----|--------------------------------------|-------|------|-------------|
| X.X | ±0.30 | X.X° | ±3° | APPD: 核准: | 谢亮 | PART NO: 产品编号: HDGC1002WVE-S-XP-2 | | | |
| X.XX | ±0.30 | X.XX° | ±2° | CHECK: 校对: | 王建业 | DATE | SCALE | UNIT | CODE NUMBER |
| X.XXX | ±0.10 | X.XXX° | ±1° | DRAW: 绘图: | 黄艳兰 | 2019-03-19 | 1:1 | mm | A018 |