

166051-1 ✓ ACTIVE

## AMPLIMITE

TE Internal #: 166051-1

Socket Contact, Gold, Snap-In Contact Retention, Size 20 Contact Size, 24 – 20 AWG Wire Size, .2 – .56 mm<sup>2</sup> Wire Size, Crimp, Phosphor Bronze, Signal

[View on TE.com >](#)



Connectors > Contacts > Connector Contacts > D-Sub Conn Contacts: Socket, Phosphor Bronze, Signal, Size 20



Contact Type: **Socket**

Contact Mating Area Plating Material: **Gold**

Contact Retention Type Within Housing: **Snap-In**

Contact Size: **Size 20**

Wire Size: **24 – 20 AWG**

[All D-Sub Conn Contacts: Socket, Phosphor Bronze, Signal, Size 20 \(56\)](#)

## Features

### Contact Features

Mating Pin Diameter	1 mm
Contact Mating Area Plating Material Thickness	.76 µm
Contact Underplating Material	Nickel
PCB Contact Termination Area Plating Material	Tin
Contact Type	Socket
Contact Mating Area Plating Material	Gold
Contact Size	Size 20
Contact Base Material	Phosphor Bronze
Contact Current Rating (Max)	2 A

### Termination Features

Termination Method to Wire & Cable	Crimp
Product Terminates To	Wire & Cable



### Mechanical Attachment

Wire Insulation Support	With
Contact Retention Type Within Housing	Snap-In

### Dimensions

Compatible Insulation Diameter Range	1.27 – 1.52 mm [.05 – .06 in]
Wire Size	.2 – .56 mm <sup>2</sup>

### Usage Conditions

Operating Temperature Range	-55 – 105 °C [-67 – 221 °F]
-----------------------------	-----------------------------

### Operation/Application

Circuit Application	Signal
---------------------	--------

### Identification Marking

Contact Color Code	Red
--------------------	-----

### Packaging Features

Packaging Quantity	12500
Packaging Method	Reel

### Product Compliance

[For compliance documentation, visit the product page on TE.com>](#)

EU RoHS Directive 2011/65/EU	Compliant
EU ELV Directive 2000/53/EC	Compliant
China RoHS 2 Directive MIIT Order No 32, 2016	No Restricted Materials Above Threshold
EU REACH Regulation (EC) No. 1907/2006	Current ECHA Candidate List: JUNE 2024 (241) Candidate List Declared Against: JUNE 2024 (241) Does not contain REACH SVHC
Halogen Content	Low Halogen - Br, Cl, F, I < 900 ppm per homogenous material. Also BFR/CFR/PVC Free
Solder Process Capability	Not applicable for solder process capability

#### Product Compliance Disclaimer

This information is provided based on reasonable inquiry of our suppliers and represents our current actual knowledge based on the information they provided. This information is subject to change. The part numbers that TE has identified as EU RoHS compliant have a maximum concentration of 0.1% by weight in homogenous materials for lead, hexavalent chromium, mercury, PBB, PBDE, DBP, BBP, DEHP, DIBP, and 0.01% for cadmium, or qualify for an exemption to these limits as defined in the Annexes of Directive 2011/65/EU (RoHS2). Finished electrical and electronic equipment products

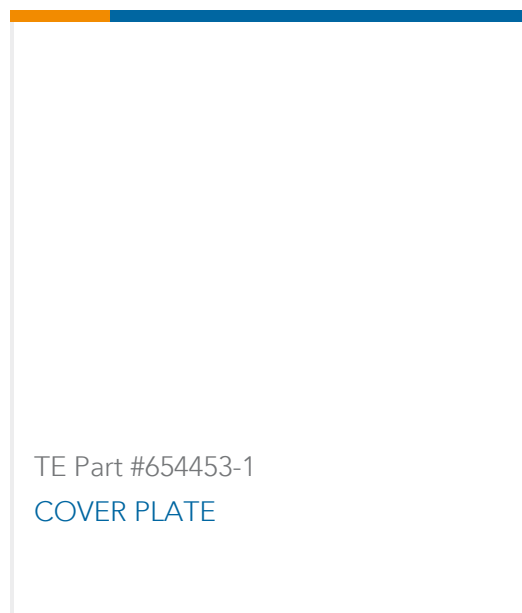
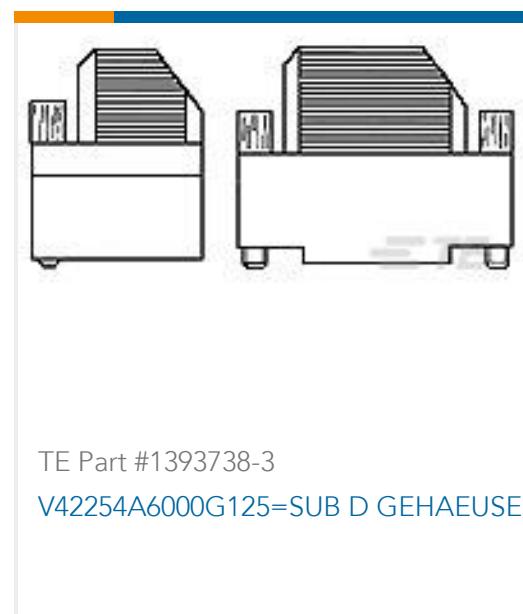
will be CE marked as required by Directive 2011/65/EU. Components may not be CE marked. Additionally, the part numbers that TE has identified as EU ELV compliant have a maximum concentration of 0.1% by weight in homogenous materials for lead, hexavalent chromium, and mercury, and 0.01% for cadmium, or qualify for an exemption to these limits as defined in the Annexes of Directive 2000/53/EC (ELV). Regarding the REACH Regulation, the information TE provides on SVHC in articles for this part number is based on the latest European Chemicals Agency (ECHA) 'Guidance on requirements for substances in articles' posted at this URL: <https://echa.europa.eu/guidance-documents/guidance-on-reach>

## Compatible Parts



## Customers Also Bought





## Documents

### Product Drawings

#### 24-20 AWG HD-20 SOCKET

English

### CAD Files

#### Customer View Model

[ENG\\_CVM\\_CVM\\_166051-1\\_AJ.2d\\_dxf.zip](#)

English

#### 3D PDF

3D

#### Customer View Model

[ENG\\_CVM\\_CVM\\_166051-1\\_AJ.3d\\_igs.zip](#)

English

#### Customer View Model

[ENG\\_CVM\\_CVM\\_166051-1\\_AJ.3d\\_stp.zip](#)

English

By downloading the CAD file I accept and agree to the [Terms and Conditions](#) of use.

### Datasheets & Catalog Pages

#### AMPLIMITE Subminiature D Connectors - Subminiature D Connectors for Cable Mounting

English

#### NECTOR\_S\_LINE\_CONNECTOR\_BROCHURE

English

### Product Specifications

#### Application Specification

English

166051-1

Socket Contact, Gold, Snap-In Contact Retention, Size 20 Contact Size, 24 – 20 AWG  
Wire Size, .2 – .56 mm<sup>2</sup> Wire Size, Crimp, Phosphor Bronze, Signal

